

Size: 1.72in x 1.61in x 0.90in (43.6mm x 40.9mm x 22.9mm)

OPTIONS

- Case Color
-White or Black
- Plug Type
-US, EU, UK, AU, Japan, or China
- Cord or USB

FEATURES

- Universal Input Voltage Range of 90~264VAC
- USB or Cord Type Available
- White or Black Case Available
- RoHS & REACH Compliant
- Class II Construction
- US, EU, UK, AU, Japan, or China Plugs Available
- Over Current and Short Circuit Protection
- Input Protection
- Efficiency Level VI (For Models >500mA)
- CE, CB, GS, UL (pending), FCC, SAA, C-Tick, RCM, PSE, and CCC Safety Approvals (Depending on Model)

DESCRIPTION

The WMSBW0606 series of AC/DC wall mount power supplies offers up to 6.03 watts of output power in a small 1.72" x 1.61" x 0.90" package. This series consists of single output models with a universal input range of 90~264VAC. Each model can either have a US, EU, UK, Australian, Japan, or China plug, either a black or white case, and either a cord or USB outlet. This series features Class II construction, protection against over current and short circuit conditions, and RoHS, REACH, and Level VI compliance. It also has CE, CB, GS, UL (pending), FCC, SAA, C-Tick, RCM, PSE, and CCC safety approvals depending on model.

MODEL SELECTION TABLE

Model Number ⁽¹⁾	Input Voltage Range	Output Voltage	Output Current	Ripple & Noise	Output Power	Level VI
WMSBW06-5S500xy	90~264VAC	5V	500mA	30mV	2.5W	Yes
WMSBW06-5S1000xy		5V	1000mA	40mV	5W	Yes
WMSBW06-5S1200xy		5V	1200mA	50mV	6W	Yes
WMSBW06-9S670xy		9V	670mA	70mV	6.03W	Yes
WMSBW06-12S500xy		12V	500mA	50mV	6W	Yes
WMSBW06-24S250xy		24V	250mA	50mV	6W	No

SPECIFICATIONS

All specifications are based on 25°C, Nominal Input Voltage, and Maximum Output Current unless otherwise noted. We reserve the right to change specifications based on technological advances.

SPECIFICATION	TEST CONDITIONS	Min	Typ	Max	Unit
INPUT SPECIFICATIONS					
Input Voltage Range		90		264	VAC
Frequency		47		63	Hz
Input Current				1.2	A
Inrush Current				40	A
OUTPUT SPECIFICATIONS					
Output Voltage		See Table			
Line Regulation				1	%
Output Regulation			±5		%
Output Power		See Table			
Output Current		See Table			
Ripple & Noise (20MHz bandwidth)	Typical measurement depends on model		30~70	100	mVp-p
Turn On Time			20~30		mS
Temperature Coefficient			0.05		%/°C

SPECIFICATIONS

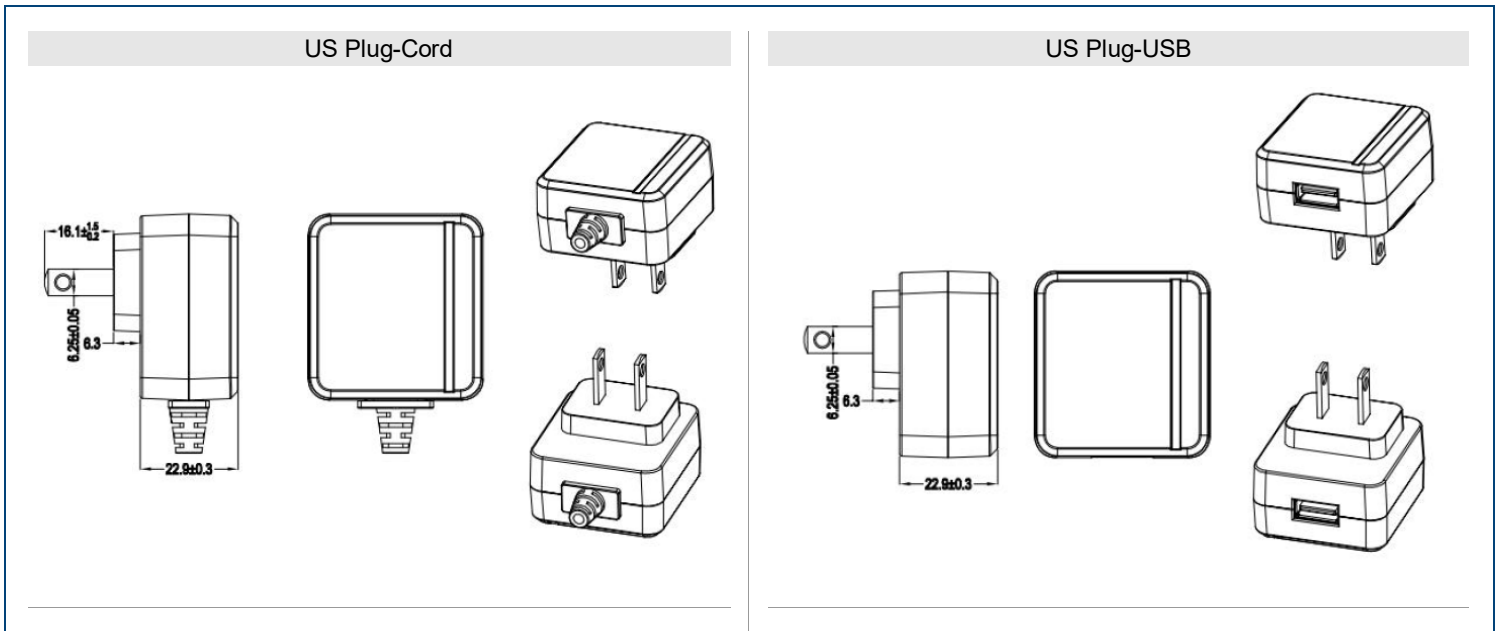
All specifications are based on 25°C, Nominal Input Voltage, and Maximum Output Current unless otherwise noted.
We reserve the right to change specifications based on technological advances.

SPECIFICATION	TEST CONDITIONS	Min	Typ	Max	Unit
PROTECTION					
Short Circuit Protection				Automatic Recovery	
Over Current Protection				Automatic Recovery	
ENVIRONMENTAL SPECIFICATIONS					
Operating Temperature		10		40	°C
Storage Temperature		-20		80	°C
Humidity	Non-Condensing	5		95	RH
Cooling		Convection			
GENERAL SPECIFICATIONS					
Efficiency		Level VI			
Standby Power				0.1	W
Leakage Current				0.25	mA
Isolation Resistance	Primary to Secondary	50			mΩ
PHYSICAL SPECIFICATIONS					
Weight		5.29oz (150g)			
Dimensions (L x W x H)		1.72in x 1.61in x 0.90in (43.6mm x 40.9mm x 22.9mm)			
Packing		100pcs/carton, 15kg/carton			
SAFETY CHARACTERISTICS					
Safety Standards		60950/60335/61558/60065			
Safety Approvals	US Plug & Japan USB Models	UL ⁽²⁾ , FCC, RoHS, REACH			
	EU Plug Models	CE, CB, GS, RoHS, REACH			
	UK Plug Models	CE, CB, GS, RoHS, REACH			
	Australia Plug Models	SAA, C-Tick, RCM, RoHS, REACH			
	Japan Plug Cord Type Models	PSE, RoHS, REACH			
	China Plug Models	CCC, RoHS, REACH			

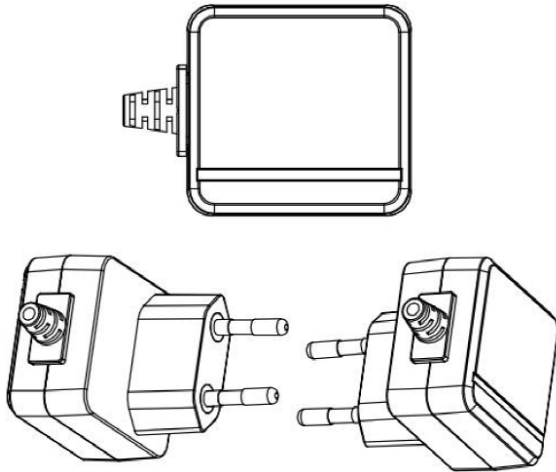
NOTES

- "X" in model number indicates plug type. "X" can either be "U" for US plug, "E" for EU plug, "K" for UK plug, "A" for Australia plug, "J" for Japan plug, or "C" for China plug.
"Y" in model number indicates case color. "Y" can either be "B" for black or "W" for white.
Cord version is the standard for this series. Add a "U" to the end of the model number to indicate USB option.
- This product is Listed to applicable standards and requirements by UL.
**Due to advances in technology, specifications subject to change without notice.*

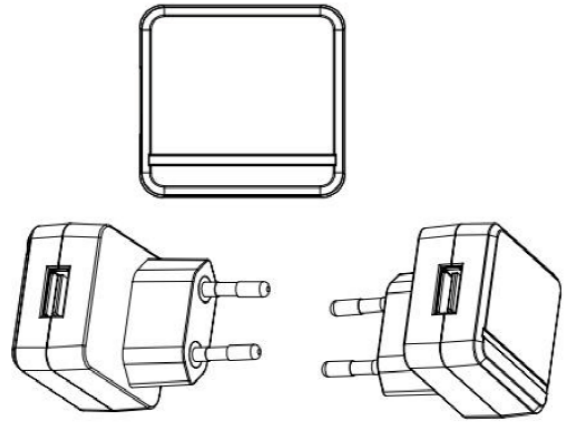
MECHANICAL DRAWING



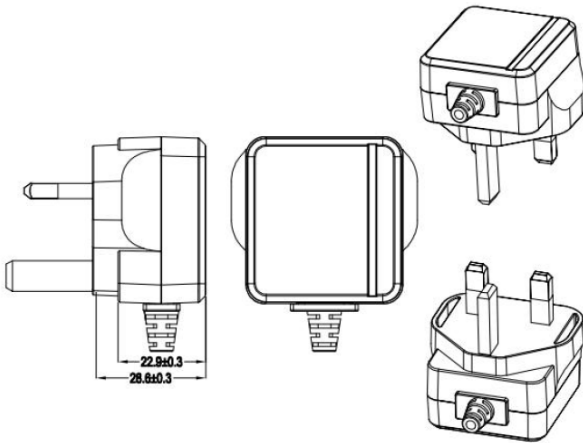
EU Plug-Cord



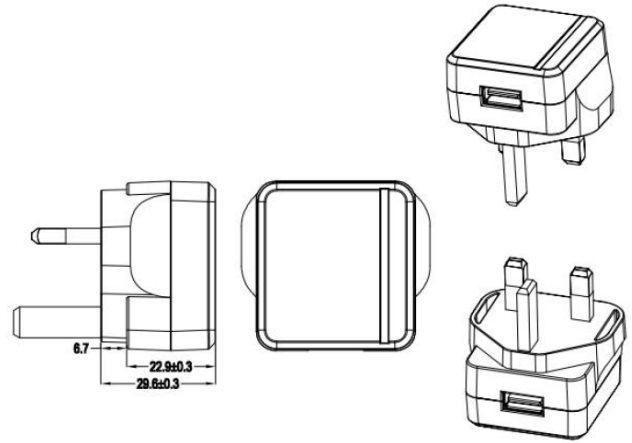
EU Plug-USB



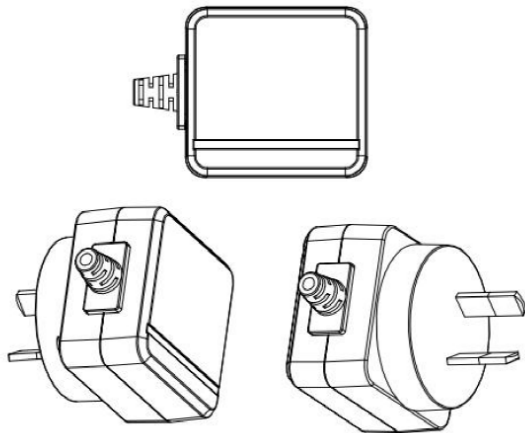
UK Plug (Cord)



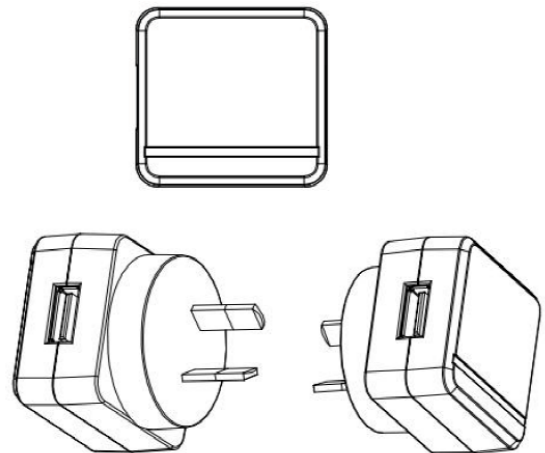
UK Plug (USB)

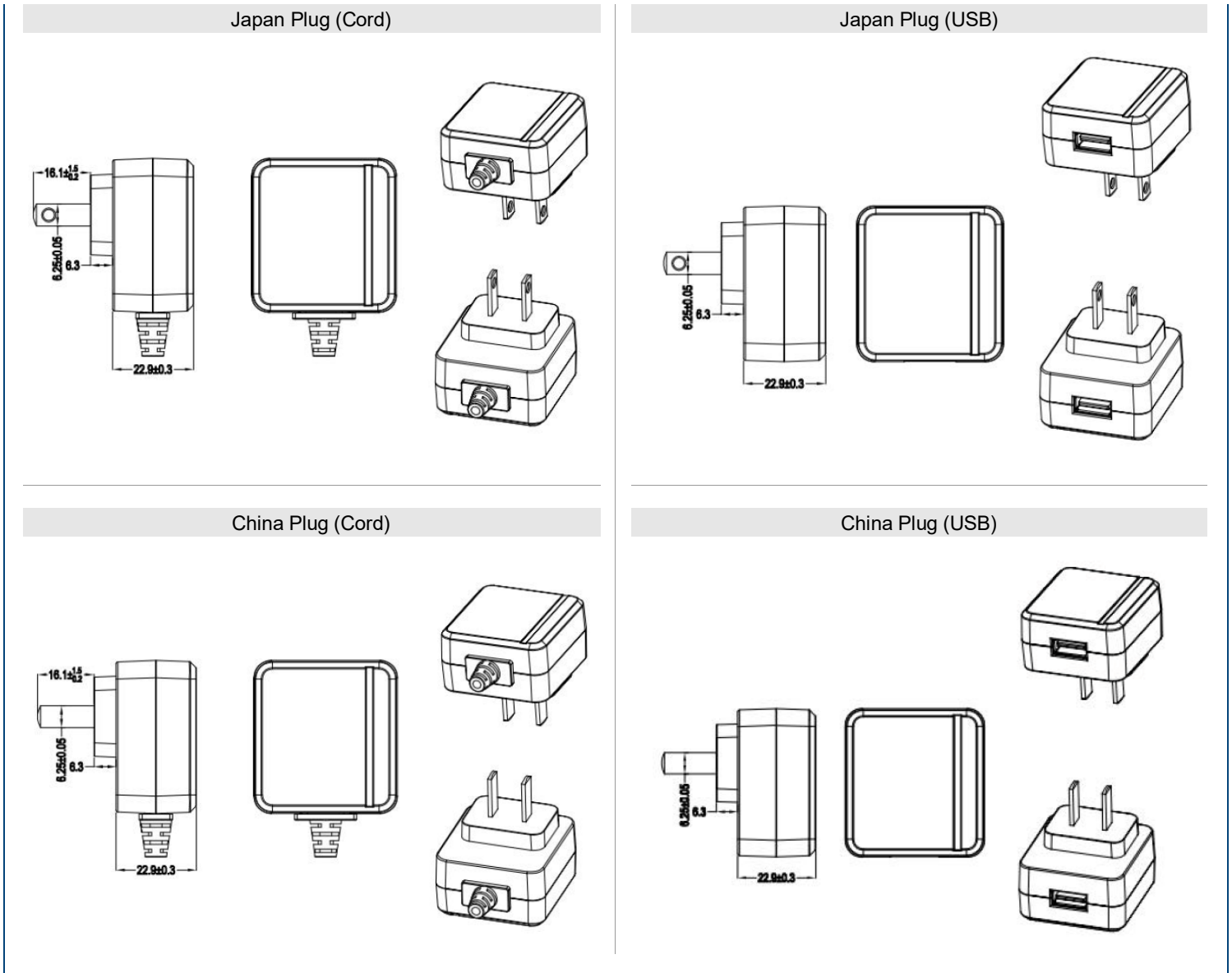


Australia Plug (Cord)



Australia Plug (USB)





MODEL NUMBER SETUP

WMSBW	06	-	5	S	500	x	y	U
Series Name	Output Power		Output Voltage	Output Quantity	Ouput Current	Plug	Color	Outlet
			5: 5VDC 9: 9VDC 12: 12VDC 24: 24VDC	S: Single	250: 250mA 670: 670mA 500: 500mA 1000: 1000mA 1200: 1200mA	U: US Plug E: EU Plug K: UK Plug A: Aus Plug J: Japan Plug C: China Plug	B: Black W: White	Blank: Cord U: USB

COMPANY INFORMATION

Wall Industries, Inc. has created custom and modified units for over 50 years. Our in-house research and development engineers will provide a solution that exceeds your performance requirements on-time and on budget. Our ISO9001: 2015 certification is just one example of our commitment to producing a high quality, well-documented product for our customers.

Our past projects demonstrate our commitment to you, our customer. Wall Industries, Inc. has a reputation for working closely with its customers to ensure each solution meets or exceeds form, fit and function requirements. We will continue to provide ongoing support for your project above and beyond the design and production phases. Give us a call today to discuss your future projects.

Contact **Wall Industries** for further information:

Phone: ☎ (603)778-2300
Toll Free: ☎ (888)597-9255
Fax: ☎ (603)778-9797
E-mail: sales@wallindustries.com
Web: www.wallindustries.com
Address: 37 Industrial Drive
Exeter, NH 03833

©2019 Wall Industries, Inc. Specifications subject to change without notice. Wall Industries is not responsible for typographical errors. The information contained herein is for informational purposes only. This information is provided by Wall Industries and we make no representations or warranties of any kind, express or implied, about the completeness, accuracy, reliability, suitability or availability with respect to the information contained in this document for any purpose. All product and manufacturer names are trademarks or registered trademarks of their respective companies.