

US Plug



Size: 1.54 x 2.48 x 3.17in (39.1 x 62.9 x 80.5mm)

EU Plug



Size: 1.54 x 2.44 x 3.17in (39.1 x 61.9 x 80.5mm)

2-Pin Australian Plug



Size: 1.61 x 2.56 x 3.17in (41 x 64.9 x 80.5mm)

UK Plug



Size: 1.94 x 2.54 x 3.17in (49.4 x 64.4 x 80.5mm)

Korea Plug



Size: 1.54 x 2.45 x 3.17in (39.1 x 62.2 x 80.5mm)

Argentina Plug



Size: 1.61 x 2.55 x 3.17in (41 x 64.7 x 80.5mm)

OPTIONS

- Output Connectors
- Plug Type
 - US Plug
 - EU Plug
 - 2-Pin Australian Plug
 - UK Plug
 - Korean Plug
 - Argentina Plug

FEATURES

- Universal Input Voltage Range
- Single Outputs
- Six Plug Types Available
- Optional Output Connectors Available
- Meets EISA 2007/DoE (VI) & EU ErP/CoC (4)
- Up to 30 Watts of Output Power
- Short Circuit, Over Voltage, and Over Current Protection
- Means of Patient Protection Design
- Possesses Risk Analysis Report
- High Efficiency
- 2 Year Warranty
- CE Marked
- UL: ES60601-1, CSA: C22.2 No.60601-1, CB: IEC60601-1, and EN: 60601-1 Safety Approvals

DESCRIPTION

The WMIGMPU30 series of AC/DC wall mount power supplies with interchangeable plugs offers up to 30 watts of output power in a compact case. This series consists of single output models with a universal input range and several available options including plug type and output connector. Each model in this series features high efficiency, short circuit, over voltage, and over current protection, as well as means of patient protection design. This series is EISA 2007/DoE (VI) & EY ErP/CoC (4), is CE marked, and has UL: ES60601-1, CSA: 22.2 No.60601-1, CB: IEC60601-1, and EN: 60601-1 safety approvals. Please contact factory for order details.

MODEL SELECTION TABLE

Model Number ⁽¹⁾	Input Voltage Range	Output Voltage	Measured at Output of	Output Current		Ripple & Noise	Load Regulation	Output Power	Efficiency ⁽²⁾
				Min Load	Max Load				
WMIGMPU30X-1	100~240VAC	5~6VDC	5	3.33A	4A	150mV	±5%	20W	>83.08%
WMIGMPU30X-1-1		6~8VDC	7.5	3.13A	4.17A	150mV	±5%	25W	>86.35%
WMIGMPU30X-2		8~11VDC	9	2.73A	3.75A	100mV	±5%	30W	>86.95%
WMIGMPU30X-3		11~13VDC	12	2.30A	2.73A	100mV	±3%	30W	>86.95%
WMIGMPU30X-4		13~16VDC	15	1.88A	2.30A	100mV	±3%	30W	>86.95%
WMIGMPU30X-5		16~21VDC	18	1.43A	1.88A	100mV	±3%	30W	>86.95%
WMIGMPU30X-6		21~27VDC	24	1.11A	1.43A	100mV	±2%	30W	>86.95%
WMIGMPU30X-7		27~33VDC	28	0.90A	1.11A	100mV	±2%	30W	>86.95%
WMIGMPU30X-8	33~58VDC	48	0.51A	0.90A	100mV	±2%	30W	>86.95%	

SPECIFICATIONS

All specifications are based on 25°C, Nominal Input Voltage, and Maximum Output Current unless otherwise noted.
 We reserve the right to change specifications based on technological advances.

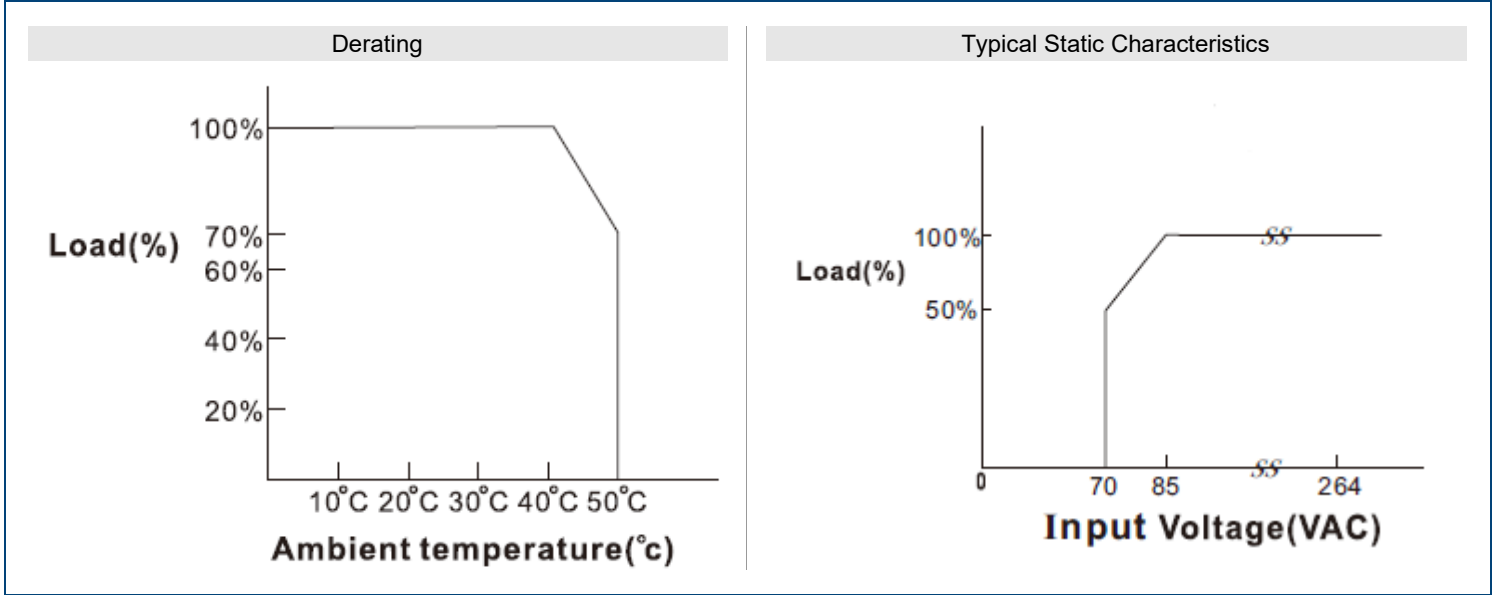
SPECIFICATION	TEST CONDITIONS	Min	Typ	Max	Unit
INPUT SPECIFICATIONS					
Input Voltage Range		100		240	VAC
Input Frequency		47		63	Hz
Input Current				1.0-0.6	A
Inrush Current	@115VAC, 25°C Cold Start		50		A
	@230VAC, 25°C, Cold Start		90		
Leakage Current	@240VAC/50Hz			0.1	mA
OUTPUT SPECIFICATIONS					
Output Voltage			See Table		
Line Regulation	For any input voltage between input voltage range			±1	%
Load Regulation	Variations from minimum to maximum output current		See Table		
Output Power			See Table		
Output Current			See Table		
Ripple & Noise			See Table		
Transient Response	Recovering to 1% of final value within 500uS after a 25% step load change			≥4%	
Set-Up Time	@Full Load		3000		mS
Hold Up Time	@Full Load		10		mS
Rise Time	@Full Load		50		mS
Temperature Coefficient				±0.04	%/°C
No Load Power Consumption				0.1	W
PROTECTION					
Short Circuit Protection	Hiccup Mode		Automatic Recovery		
Over Current Protection			Automatic Recovery		
Over Voltage Protection			Protected by Zener Diode		
ENVIRONMENTAL SPECIFICATIONS					
Operating Temperature		0		40	°C
Storage Temperature		-40		+85	°C
Relative Humidity	Non-Condensing	5		95	%
Derating	Derated from 100% at +40°C linearly to 70% at 50°C				
MTBF	@Full Load, 25°C Ambient	100,000			Hours
GENERAL SPECIFICATIONS					
Efficiency ⁽²⁾			See Table		
Withstand Voltage	From Input to Output		5656		VDC
Insulation Resistance	From Input to Output	50			MΩ
PHYSICAL SPECIFICATIONS					
Weight			6oz~6.70oz (170~190g)		
Dimensions (L x W x H)	US Plug	1.54 x 2.48 x 3.17in (39.1 x 62.9 x 80.5mm)			
	EU Plug	1.54 x 2.44 x 3.17in (39.1 x 61.9 x 80.5mm)			
	2-Pin Aus. Plug	1.61 x 2.56 x 3.17in (41 x 64.9 x 80.5mm)			
	UK Plug	1.94 x 2.54 x 3.17in (49.4 x 64.4 x 80.5mm)			
	Korean Plug	1.54 x 2.45 x 3.17in (39.1 x 62.2 x 80.5mm)			
	Argentina Plug	1.61 x 2.55 x 3.17in (41 x 64.7 x 80.5mm)			
Standard Output Cable ⁽³⁾	5~9V Models	UL2468, 16AWG, 1M			
	9~13V Models	UL2468, 18AWG, 1M			
	13~27V Models	UL2468, 20AWG, 5FT			
	27~58V Models	UL2468, 24AWG, 6FT			
SAFETY CHARACTERISTICS					
EMC		CE: EN60601-1-2:2007 FCC Part 15/Part 18		Class B Subpart B	
Safety Approvals	UL: ES60601-1 ⁽⁴⁾ , CSA: C22.2 NO. 60601-1, CB: IEC60601-1, EN: EN60601-1				

NOTES

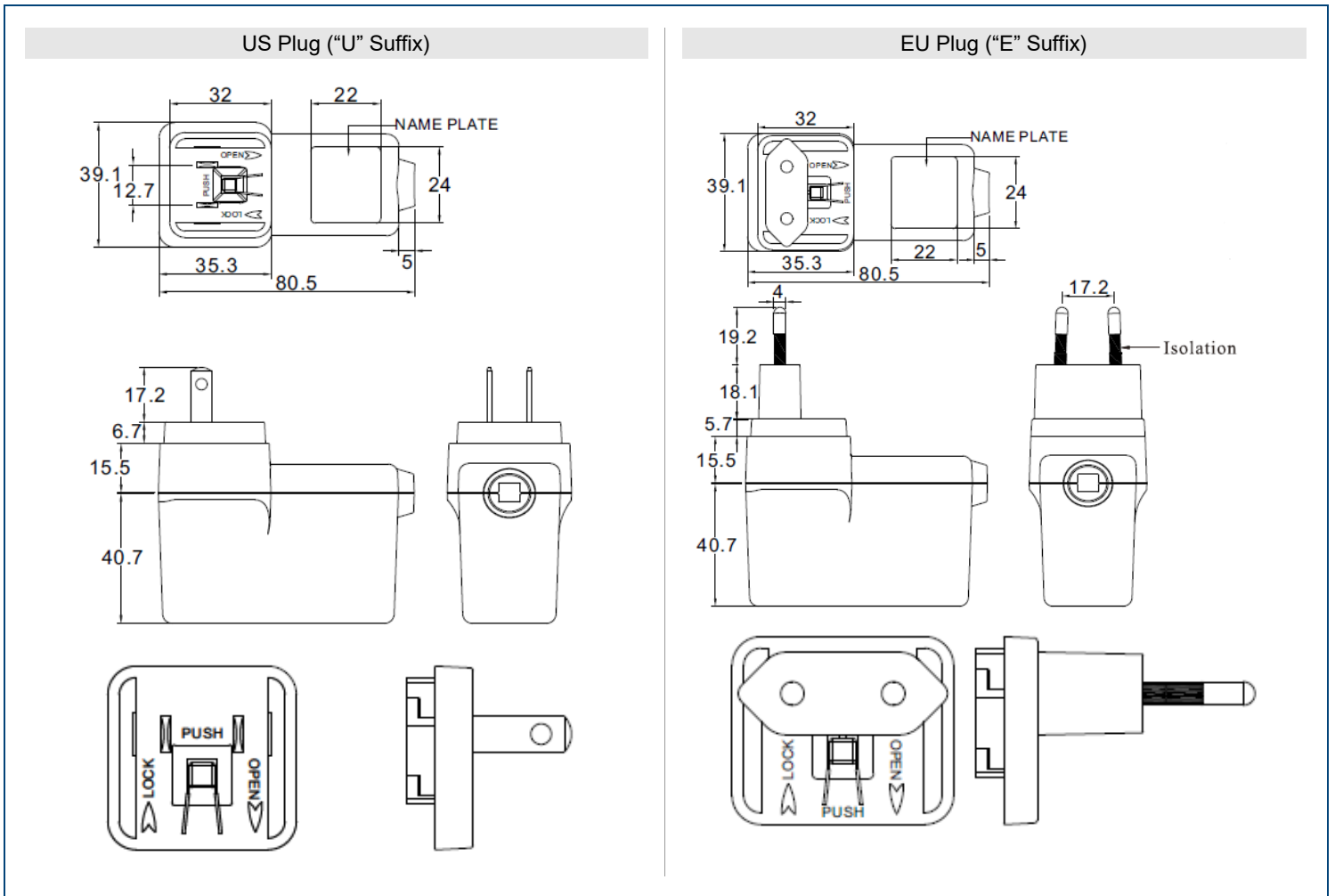
- "X" in product name represents optional plug type. "X" can either be "U" for "US Plug", "E" for "EU Plug", "SA" for "2-Pin Australian Plug", "K" for "UK Plug", "KR" for "Korean Plug", or "AR" for Argentina Plug. See Model Number Set up for more information.
- Avg. Efficiency: Averages the efficiency at 25, 50, 75, and 100% max. rated output current.
- Optional output connectors available.
- This product is Listed to applicable standards and requirements by UL.

*Due to advances in technology, specifications subject to change without notice.

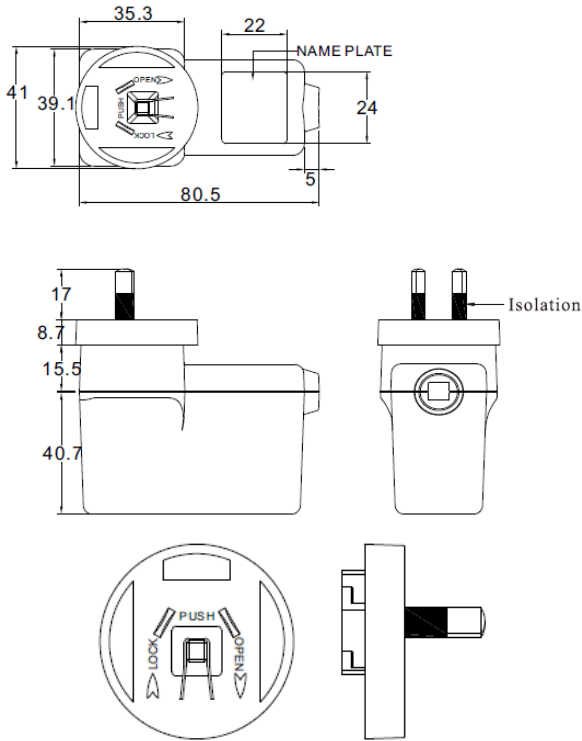
DERATING CURVES



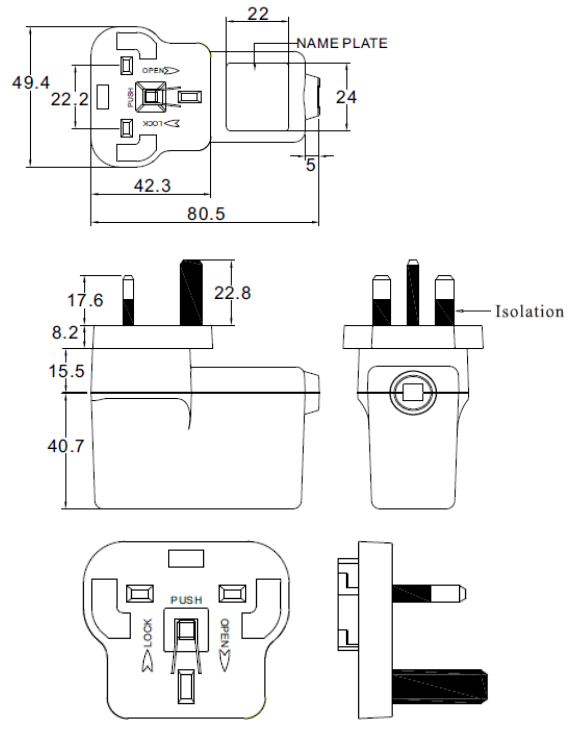
MECHANICAL DRAWING



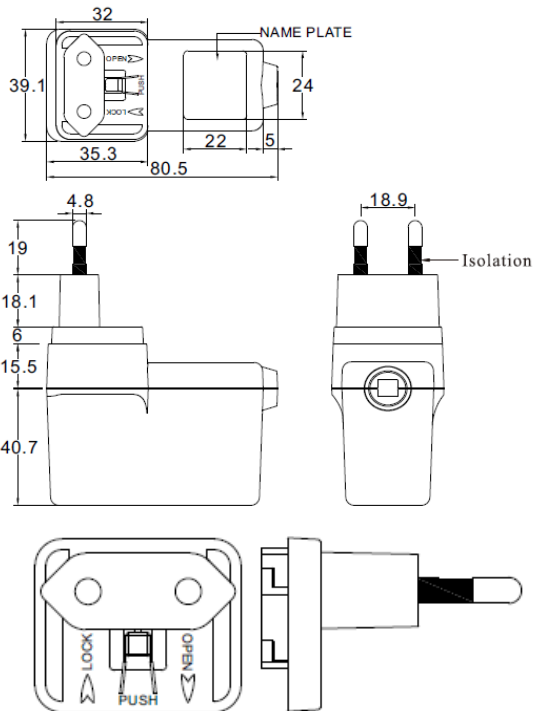
2-Pin Australian Plug ("SA" Suffix)



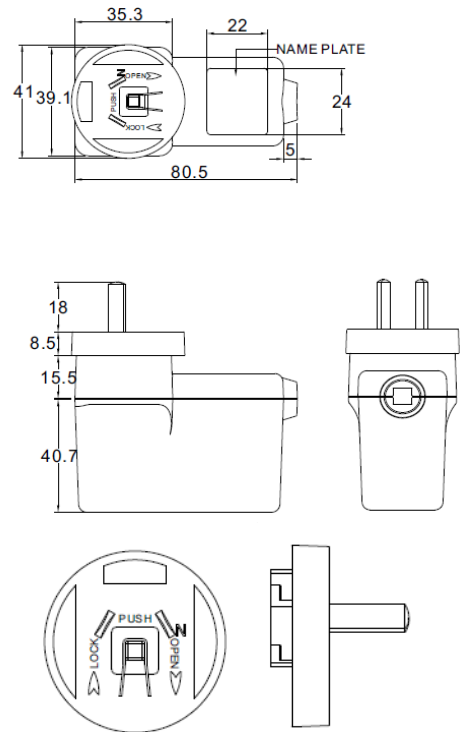
UK Plug ("K" Suffix)



Korean Plug ("KR" Suffix)



Argentinian Plug ("AR" Suffix)



MODEL NUMBER SETUP

WMIGMPU	30	X	-	1
Series Name	Output Power	Plug Type		Output Voltage
		U: US Plug E: EU Plug SA: 2-Pin Australian Plug K: UK Plug KR: Korean Plug AR: Argentinian Plug		1: 5~6VDC 1-1: 6~8VDC 2: 8~11VDC 3: 11~13VDC 4: 13~16VDC 5: 16~21VDC 6: 21~27VDC 7: 27~33VDC 8: 33~58VDC

COMPANY INFORMATION

Wall Industries, Inc. has created custom and modified units for over 50 years. Our in-house research and development engineers will provide a solution that exceeds your performance requirements on-time and on budget. Our ISO9001: 2015 certification is just one example of our commitment to producing a high quality, well-documented product for our customers.

Our past projects demonstrate our commitment to you, our customer. Wall Industries, Inc. has a reputation for working closely with its customers to ensure each solution meets or exceeds form, fit and function requirements. We will continue to provide ongoing support for your project above and beyond the design and production phases. Give us a call today to discuss your future projects.

Contact **Wall Industries** for further information:

Phone: ☎(603)778-2300
 Toll Free: ☎(888)597-9255
 Fax: ☎(603)778-9797
 E-mail: sales@wallindustries.com
 Web: www.wallindustries.com
 Address: 37 Industrial Drive
 Exeter, NH 03833

©2019 Wall Industries, Inc. Specifications subject to change without notice. Wall Industries is not responsible for typographical errors. The information contained herein is for informational purposes only. This information is provided by Wall Industries and we make no representations or warranties of any kind, express or implied, about the completeness, accuracy, reliability, suitability or availability with respect to the information contained in this document for any purpose. All product and manufacturer names are trademarks or registered trademarks of their respective companies.