



Size: 9.31in x 5.45in x 2.66in (236.5mm x 138.4mm x 67.5mm)

FEATURES

- Input Voltage Range of 170~264VAC (210~370VDC)
- Suitable for Outdoor or Damp Locations
- Built-In EMI Filter
- High Reliability, Low Cost
- Over Load, Short Circuit, and Over Temperature Protection
- IP21 Design
- GB4943, EL60950, and EN60950 Safety Approvals

DESCRIPTION

The PSYF320 series of AC/DC power supplies offers 320 watts of output power in a 9.31" x 5.45" x 2.66" enclosed case. This series consists of single output models with a wide input voltage range of 170~264VAC and built-in EMI filter. Each model in this series is suitable for outdoor or damp locations, has IP21 design, and has over load, short circuit, and over temperature protection. This series has GB4943, EL60950, and EN60905 safety approvals. Please contact factory for ordering information.

MODEL SELECTION TABLE

Model Number	Input Voltage Range	Output Voltage	Output Current	Ripple & Noise	Efficiency	Output Power
PSYF320-12S	170~264VAC (210~370VDC)	12V	29A	120mV	82%	320 Watts
PSYF320-24S		24V	14.6A	150mV	84%	
PSYF320-36S		36V	10A	200mV	85%	
PSYF320-48S		48V	7.3A	240mV	86%	

SPECIFICATIONS

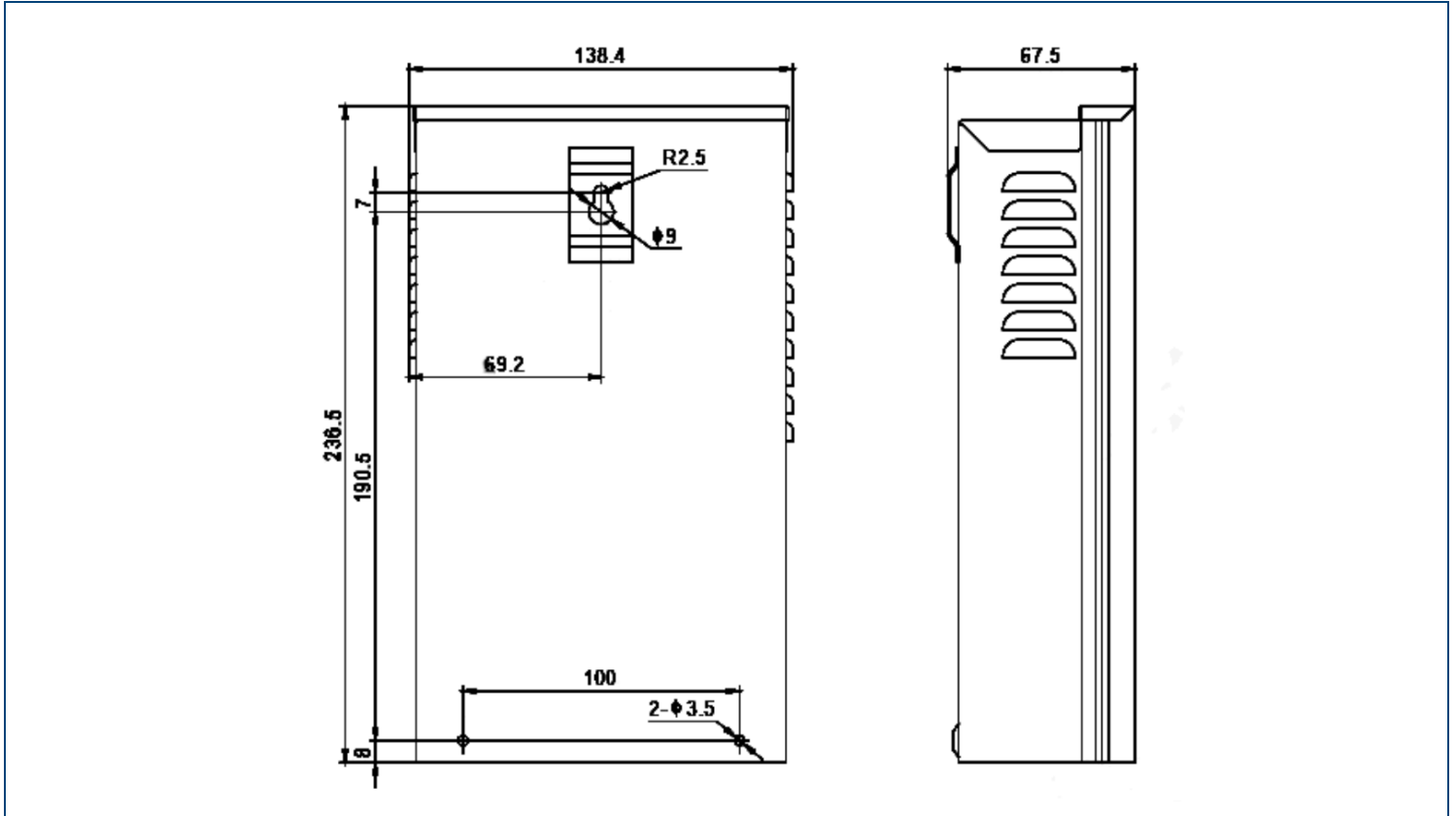
All specifications are based on 25°C, Nominal Input Voltage, and Maximum Output Current unless otherwise noted.
 We reserve the right to change specifications based on technological advances.

SPECIFICATION	TEST CONDITIONS	Min	Typ	Max	Unit
INPUT SPECIFICATIONS					
Input Voltage Range		170		264	VAC
		210		370	VDC
Input Current				4	A
Input Frequency		47		63	Hz
Inrush Current	@230V, Cold Start		60		A
Input Leakage Current	@230VAC			0.7	mA
OUTPUT SPECIFICATIONS					
Output Voltage			See Table		
Line Regulation	Full Load		±0.5		%
Load Regulation			0.5		%
Output Power			See Table		
Output Current			See Table		
Ripple & Noise (20MHz bandwidth)			See Table		
Voltage Adjustment Range			±10		%
Rise Time	@Full Load		50		mS
Hold Up Time	@Full Load		20		mS
PROTECTION					
Short Circuit Protection	Shut Off, Re-Power On to Recover				
Over Load Protection	Shut Off, Re-Power On to Recover	105		130	%
Over Temperature Protection			Yes		
ENVIRONMENTAL SPECIFICATIONS					
Operating Temperature		-20		+50	°C
Cooling Method			Fan		
GENERAL SPECIFICATIONS					
Efficiency			See Table		
Withstand Voltage	Input-Output		1.5kVAC/1min		
	Input-F/G		1.5kVAC/1min		
	Output-F/G		0.5kVAC/1min		
PHYSICAL SPECIFICATIONS					
Weight			2.31lbs (1.05kg)		
Dimensions (L x W x H)		9.31in x 5.45in x 2.66in	(236.5mm x 138.4mm x 67.5mm)		
Packing			16pcs/carton		
SAFETY CHARACTERISTICS					
Safety Approvals	Design Meets GB4943, UL60950, EN60950				

NOTES

**Due to advances in technology, specifications subject to change without notice.*

MECHANICAL DRAWINGS



COMPANY INFORMATION

Wall Industries, Inc. has created custom and modified units for over 50 years. Our in-house research and development engineers will provide a solution that exceeds your performance requirements on-time and on budget. Our ISO9001-2008 certification is just one example of our commitment to producing a high quality, well-documented product for our customers.

Our past projects demonstrate our commitment to you, our customer. Wall Industries, Inc. has a reputation for working closely with its customers to ensure each solution meets or exceeds form, fit and function requirements. We will continue to provide ongoing support for your project above and beyond the design and production phases. Give us a call today to discuss your future projects.

Contact **Wall Industries** for further information:

Phone: ☎(603)778-2300
Toll Free: ☎(888)597-9255
Fax: ☎(603)778-9797
E-mail: sales@wallindustries.com
Web: www.wallindustries.com
Address: 37 Industrial Drive
Exeter, NH 03833