



Size: 5in x 3in x 1.43in
(127mm x 76.30mm x 36.20mm)

FEATURES

- Wide Input Voltage Range of 90-264VAC
- High Minimum Efficiency of 85%
- RoHS and CEC Compliant
- Over Voltage, Over Current and Short Circuit Protection
- 100% Burn-In and Hi-Pot Tested
- Single, Dual, Triple, and Quad Outputs
- UL/CUL, CB, CE, and FCC Safety Approvals

DESCRIPTION

The PSEP1200 series of AC/DC open frame power supplies offers up to 200 watts of output power in a 5" x 3" x 1.43" package. This series has a wide input voltage range of 90~264VAC and single, dual, triple, and quad outputs are available. The PSEP1200 series has high minimum efficiency of 85%, is RoHS and CE compliant, and has over voltage, over current, and short circuit protection. It has UL/CUL, CB, CE, and FCC safety approvals and has been 100% burn-in and hi-pot tested.

MODEL SELECTION TABLE

Single Output Models

Model Number	Output Voltage	Output Current	Total Output Power	Input Voltage Range	Load Regulation	Ripple & Noise	Efficiency
PSEP11000500	5V	20.00A	100W	90-264VAC	±3% Max.	2% Max.	≤85%
PSEP11100900	9V	12.22A	110W				
PSEP11350900	9V	15.00A	135W				
PSEP11251000	10V	12.50A	125W				
PSEP11501000	10V	15.00A	150W				
PSEP11251100	11V	11.36A	125W				
PSEP11651100	11V	15.00A	165W				
PSEP11501200	12V	12.50A	150W				
PSEP115012E0	12V	12.50A	150W				
PSEP11801200	12V	15.00A	180W				
PSEP11251500	15V	8.33A	125W				
PSEP11501500	15V	10.00A	150W				
PSEP11251600	16V	7.81A	125W				
PSEP11501600	16V	9.37A	150W				
PSEP11501700	17V	8.23A	150W				
PSEP11751700	17V	10.00A	175W				
PSEP11351800	18V	7.50A	135W				
PSEP11501800	18V	8.33A	150W				
PSEP11801800	18V	10.00A	180W				
PSEP11501900	19V	7.89A	150W				
PSEP11801900	19V	9.47A	180W				
PSEP12001900	19V	10.52A	200W				
PSEP11352200	22V	6.13A	135W				
PSEP11502200	22V	6.81A	150W				
PSEP11802200	22V	8.18A	180W				
PSEP11402300	23V	6.08A	140W				
PSEP11502300	23V	6.52A	150W				
PSEP11802300	23V	7.82A	180W				
PSEP11502400	24V	6.25A	150W				
PSEP11802400	24V	7.50A	180W				
PSEP12002400	24V	8.33A	200W				
PSEP11403400	34V	4.11A	140W				
PSEP11503400	34V	4.41A	150W				
PSEP11803400	34V	5.29A	180W				
PSEP11403500	35V	4.00A	140W				
PSEP11503500	35V	4.28A	150W				
PSEP11953500	35V	5.57A	180W				
PSEP11503600	36V	4.16A	150W				
PSEP11803600	36V	5.00A	180W				
PSEP12003600	36V	5.56A	200W				
PSEP11404600	46V	3.04A	140W				
PSEP11504600	46V	3.26A	150W				
PSEP11804600	46V	3.91A	180W				
PSEP11404700	47V	2.97A	140W				
PSEP11504700	47V	3.19A	150W				
PSEP11804700	47V	3.83A	180W				
PSEP11504800	48V	3.12A	150W				
PSEP11804800	48V	3.75A	180W				
PSEP12004800	48V	4.16A	200W				
PSEP11405400	54V	2.59A	140W				
PSEP11505400	54V	2.77A	150W				
PSEP11805400	54V	3.33A	180W				
PSEP11455500	55V	2.63A	145W				
PSEP11505500	55V	2.72A	150W				
PSEP11805500	55V	3.27A	180W				
PSEP11505600	56V	2.67A	150W				
PSEP11805600	56V	3.21A	180W				
PSEP12005600	56V	3.57A	200W				

MODEL SELECTION TABLE

Dual Output Models

Model Number	Main-Power			Stand By-Power			-12V Power			DC to DC Power			Total Power	Input Voltage Range	Load Regulation	Ripple & Noise	Efficiency
	Vo1	Io1	Wo1	Vo2	Io2	Wo2	Vo3	Io3	Wo3	Vo4	Io4	Wo4					
PSEP210005A0	5V	18.00A	90W	5V	2A	10W							100W	90-264VAC	±3% Max. (Main/DCDC Power)	2% Max.	≤85%
PSEP211509A0	9V	11.67A	105W	5V	2A	10W							115W				
PSEP213809A0	9V	14.17A	128W	5V	2A	10W							138W				
PSEP212610A0	10V	11.60A	116W	5V	2A	10W							126W				
PSEP215210A0	10V	14.17A	142W	5V	2A	10W							152W				
PSEP213811A0	11V	11.63A	128W	5V	2A	10W							138W				
PSEP216611A0	11V	14.17A	156W	5V	2A	10W							166W				
PSEP215012A0	12V	11.67A	140W	5V	2A	10W							150W				
PSEP218012A0	12V	14.16A	170W	5V	2A	10W							180W				
PSEP212015A0	15V	7.33A	110W	5V	2A	10W							120W				
PSEP214415A0	15V	8.95A	134W	5V	2A	10W							144W				
PSEP212716A0	16V	7.31A	117W	5V	2A	10W							127W				
PSEP215316A0	16V	8.95A	143W	5V	2A	10W							153W				
PSEP213517A0	17V	7.35A	125W	5V	2A	10W							135W				
PSEP216317A0	17V	8.95A	152W	5V	2A	10W							162W				
PSEP214218A0	18V	7.33A	132W	5V	2A	10W							142W				
PSEP217118A0	18V	8.95A	161W	5V	2A	10W							171W				
PSEP215019A0	19V	7.36A	140W	5V	2A	10W							150W				
PSEP218019A0	19V	8.94A	170W	5V	2A	10W							180W				
PSEP213822A0	22V	5.81A	128W	5V	2A	10W							138W				
PSEP216622A0	22V	7.08A	156W	5V	2A	10W							166W				
PSEP214423A0	23V	5.82A	134W	5V	2A	10W							144W				
PSEP217323A0	23V	7.08A	163W	5V	2A	10W							173W				
PSEP215024A0	24V	5.83A	140W	5V	2A	10W							150W				
PSEP218024A0	24V	7.08A	170W	5V	2A	10W							180W				
PSEP214234A0	34V	3.88A	132W	5V	2A	10W							142W				
PSEP217034A0	34V	4.72A	160W	5V	2A	10W							170W				
PSEP214535A0	35V	3.85A	135W	5V	2A	10W							145W				
PSEP217535A0	35V	4.72A	165W	5V	2A	10W							175W				
PSEP215036A0	36V	3.88A	140W	5V	2A	10W							150W				
PSEP218036A0	36V	4.72A	170W	5V	2A	10W							180W				
PSEP214346A0	46V	2.89A	133W	5V	2A	10W							143W				
PSEP217346A0	46V	3.54A	163W	5V	2A	10W							173W				
PSEP214547A0	47V	2.87A	135W	5V	2A	10W							145W				
PSEP217647A0	47V	3.54A	166W	5V	2A	10W							176W				
PSEP215048A0	48V	2.91A	140W	5V	2A	10W							150W				
PSEP218048A0	48V	3.54A	170W	5V	2A	10W							180W				
PSEP214454A0	54V	2.48A	134W	5V	2A	10W							144w				
PSEP217454A0	54V	3.04A	164W	5V	2A	10W							174W				
PSEP214755A0	55V	2.49A	137W	5V	2A	10W							147W				
PSEP217755A0	55V	3.03A	167W	5V	2A	10W							177W				
PSEP215056A0	56V	2.50A	140W	5V	2A	10W							150W				
PSEP218056A0	56V	3.03A	170W	5V	2A	10W							180W				
PSEP215012B0	12V	12.00A	144W				-12V	0.5A	6W				150W				
PSEP218012B0	12V	14.50A	174W				-12V	0.5A	6W				180W				
PSEP215019B0	19V	7.57A	144W				-12V	0.5A	6W				150W				
PSEP218019B0	19V	9.15A	174W				-12V	0.5A	6W				180W				
PSEP215024B0	24V	6.00A	144W				-12V	0.5A	6W				150W				
PSEP218024B0	24V	7.25A	174W				-12V	0.5A	6W				180W				
PSEP218024DB	24V	6.00A	144W							12V	3A	36W	180W				
PSEP215036B0	36V	4.00A	144W				-12V	0.5A	6W				150W				
PSEP218036B0	36V	4.83A	174W				-12V	0.5A	6W				180W				
PSEP215048B0	48V	3.00A	144W				-12V	0.5A	6W				150W				
PSEP218048B0	48V	3.62A	174W				-12V	0.5A	6W				180W				
PSEP215056B0	56V	2.57A	144W				-12V	0.5A	6W				150W				
PSEP218056B0	56V	3.10A	174W				-12V	0.5A	6W				180W				

MODEL SELECTION TABLE

Triple Output Models

Model Number	Main-Power			Stand By-Power			-12V Power			DC to DC Power			Total Power	Input Voltage Range	Load Regulation	Ripple & Noise	Efficiency			
	Vo1	Io1	Wo1	Vo2	Io2	Wo2	Vo3	Io3	Wo3	Vo4	Io4	Wo4								
PSEP313010AA	10V	9.50A	95W	5V	2A	10W				5V	5A	25W	130W	90-264VAC	±3% Max. (Main/Stand by Power)	2% Max.	≤85%			
PSEP315010AA	10V	11.50A	115W	5V	2A	10W				5V	5A	25W	150W							
PSEP314011AA	11V	9.54A	105W	5V	2A	10W				5V	5A	25W	140W							
PSEP315011AA	11V	10.45A	115W	5V	2A	10W				5V	5A	25W	150W							
PSEP315012AA	12V	9.58A	115W	5V	2A	10W				5V	5A	25W	150W							
PSEP317512AA	12V	11.66A	140W	5V	2A	10W				5V	5A	25W	175W							
PSEP312215AA	15V	5.80A	87W	5V	2A	10W				5V	5A	25W	122W							
PSEP314615AA	15V	7.40A	111W	5V	2A	10W				5V	5A	25W	146W							
PSEP312816AA	16V	5.81A	93W	5V	2A	10W				5V	5A	25W	128W							
PSEP315316AA	16V	7.37A	118W	5V	2A	10W				5V	5A	25W	153W							
PSEP313517AA	17V	5.88A	100W	5V	2A	10W				5V	5A	25W	135W							
PSEP316017AA	17V	7.37A	125W	5V	2A	10W				5V	5A	25W	160W							
PSEP314218AA	18V	5.94A	107W	5V	2A	10W				5V	5A	25W	142W							
PSEP316818AA	18V	7.38A	133W	5V	2A	10W				5V	5A	25W	168W							
PSEP314518AB	18V	4.16A	75W	5V	2A	10W				12V	5A	60W	145W							
PSEP316818AB	18V	5.44A	98W	5V	2A	10W				12V	5A	60W	168W							
PSEP315019AA	19V	6.05A	115W	5V	2A	10W				5V	5A	25W	150W							
PSEP317519AA	19V	7.36A	140W	5V	2A	10W				5V	5A	25W	175W							
PSEP315019AB	19V	4.21A	80W	5V	2A	10W				12V	5A	60W	150W							
PSEP317519AB	19V	5.52A	105W	5V	2A	10W				12V	5A	60W	175W							
PSEP314022AA	22V	4.77A	105W	5V	2A	10W				5V	5A	25W	140W							
PSEP315022AA	22V	5.22A	115W	5V	2A	10W				5V	5A	25W	150W							
PSEP314122AB	22V	3.22A	71W	5V	2A	10W				12V	5A	60W	141W							
PSEP316522AB	22V	4.31A	95W	5V	2A	10W				12V	5A	60W	165W							
PSEP314523AA	23V	4.78A	110W	5V	2A	10W				5V	5A	25W	145W							
PSEP316823AA	23V	5.78A	133W	5V	2A	10W				5V	5A	25W	168W							
PSEP314523AB	23V	3.26A	75W	5V	2A	10W				12V	5A	60W	145W							
PSEP317023AB	23V	4.34A	100W	5V	2A	10W				12V	5A	60W	170W							
PSEP315024AA	24V	4.79A	115W	5V	2A	10W				5V	5A	25W	150W							
PSEP317524AA	24V	5.83A	140W	5V	2A	10W				5V	5A	25W	175W							
PSEP315024AB	24V	3.33A	80W	5V	2A	10W				12V	5A	60W	150W							
PSEP317524AB	24V	4.37A	105W	5V	2A	10W				12V	5A	60W	175W							
PSEP312510C0	10V	10.90A	109W	5V	2A	10W	-12V	0.5A	6W				125W					±3 or 10% Max. (DCDC/-12V Power)	2% Max.	≤85%
PSEP314910C0	10V	13.30A	133W	5V	2A	10W	-12V	0.5A	6W				149W							
PSEP313511C0	11V	10.81A	119W	5V	2A	10W	-12V	0.5A	6W				135W							
PSEP316211C0	11V	13.27A	146W	5V	2A	10W	-12V	0.5A	6W				162W							
PSEP315012C0	12V	11.16A	134W	5V	2A	10W	-12V	0.5A	6W				150W							
PSEP317512C0	12V	13.25A	159W	5V	2A	10W	-12V	0.5A	6W				175W							
PSEP312015C0	15V	6.93A	104W	5V	2A	10W	-12V	0.5A	6W				120W							
PSEP314215C0	15V	8.40A	126W	5V	2A	10W	-12V	0.5A	6W				142W							
PSEP312516C0	16V	6.81A	109W	5V	2A	10W	-12V	0.5A	6W				125W							
PSEP315016C0	16V	8.37A	134W	5V	2A	10W	-12V	0.5A	6W				150W							
PSEP313517C0	17V	7.00A	119W	5V	2A	10W	-12V	0.5A	6W				135W							
PSEP315817C0	17V	8.37A	142W	5V	2A	10W	-12V	0.5A	6W				158W							
PSEP314218C0	18V	7.00A	126W	5V	2A	10W	-12V	0.5A	6W				142W							
PSEP316718C0	18V	8.38A	151W	5V	2A	10W	-12V	0.5A	6W				167W							
PSEP315019C0	19V	7.05A	134W	5V	2A	10W	-12V	0.5A	6W				150W							
PSEP317519C0	19V	8.36A	159W	5V	2A	10W	-12V	0.5A	6W				175W							
PSEP313522C0	22V	5.40A	119W	5V	2A	10W	-12V	0.5A	6W				135W							
PSEP316222C0	22V	6.63A	146W	5V	2A	10W	-12V	0.5A	6W				162W							
PSEP314023C0	23V	5.39A	124W	5V	2A	10W	-12V	0.5A	6W				140W							
PSEP316823C0	23V	6.63A	152W	5V	2A	10W	-12V	0.5A	6W				168W							
PSEP315024C0	24V	5.58A	134W	5V	2A	10W	-12V	0.5A	6W				150W							
PSEP317524C0	24V	6.62A	159W	5V	2A	10W	-12V	0.5A	6W				175W							
PSEP314034C0	34V	3.64A	124W	5V	2A	10W	-12V	0.5A	6W				140W							
PSEP315034C0	34V	3.94A	134W	5V	2A	10W	-12V	0.5A	6W				150W							
PSEP314035C0	35V	3.54A	124W	5V	2A	10W	-12V	0.5A	6W				140W							
PSEP315035C0	35V	3.82A	134W	5V	2A	10W	-12V	0.5A	6W				150W							
PSEP315036C0	36V	3.72A	134W	5V	2A	10W	-12V	0.5A	6W				150W							
PSEP317536C0	36V	4.41A	159W	5V	2A	10W	-12V	0.5A	6W				175W							
PSEP314046C0	46V	2.69A	124W	5V	2A	10W	-12V	0.5A	6W				140W							
PSEP315046C0	46V	2.91A	134W	5V	2A	10W	-12V	0.5A	6W				150W							
PSEP314047C0	47V	2.63A	124W	5V	2A	10W	-12V	0.5A	6W				140W							
PSEP315047C0	47V	2.85A	134W	5V	2A	10W	-12V	0.5A	6W				150W							
PSEP315048C0	48V	2.79A	134W	5V	2A	10W	-12V	0.5A	6W				150W							
PSEP317548C0	48V	3.54A	159W	5V	2A	10W	-12V	0.5A	6W				175W							
PSEP314054C0	54V	3.82A	124W	5V	2A	10W	-12V	0.5A	6W				140W							
PSEP316954C0	54V	3.72A	153W	5V	2A	10W	-12V	0.5A	6W				169W							
PSEP314555C0	55V	4.41A	129W	5V	2A	10W	-12V	0.5A	6W				145W							
PSEP317255C0	55V	2.69A	156W	5V	2A	10W	-12V	0.5A	6W				172W							
PSEP315056C0	56V	2.91A	134W	5V	2A	10W	-12V	0.5A	6W				150W							
PSEP317556C0	56V	2.63A	159W	5V	2A	10W	-12V	0.5A	6W				175W							

MODEL SELECTION TABLE

Quad Output Models

Model Number	Main-Power			Stand By-Power			-12V Power			DC to DC Power			Total Power	Input Voltage Range	Load Regulation	Ripple & Noise	Efficiency
	Vo1	Io1	Wo1	Vo2	Io2	Wo2	Vo3	Io3	Wo3	Vo4	Io4	Wo4					
PSEP413010CA	10V	8.90A	89W	5V	2A	10W	-12V	0.5A	6W	5V	5A	25W	130W	90-264VAC	±3% Max. (Main/DCDC /Standby Power)	2% Max.	≤85%
PSEP415010CA	10V	10.90A	109W	5V	2A	10W	-12V	0.5A	6W	5V	5A	25W	150W				
PSEP414011CA	11V	9.00A	99W	5V	2A	10W	-12V	0.5A	6W	5V	5A	25W	140W				
PSEP415011CA	11V	9.90A	109W	5V	2A	10W	-12V	0.5A	6W	5V	5A	25W	150W				
PSEP415012CA	12V	9.08A	109W	5V	2A	10W	-12V	0.5A	6W	5V	5A	25W	150W				
PSEP417512CA	12V	11.60A	134W	5V	2A	10W	-12V	0.5A	6W	5V	5A	25W	175W				
PSEP412715CA	15V	5.73A	86W	5V	2A	10W	-12V	0.5A	6W	5V	5A	25W	127W				
PSEP414615CA	15V	7.00A	105W	5V	2A	10W	-12V	0.5A	6W	5V	5A	25W	146W				
PSEP413216CA	16V	5.68A	91W	5V	2A	10W	-12V	0.5A	6W	5V	5A	25W	132W				
PSEP415316CA	16V	7.00A	112W	5V	2A	10W	-12V	0.5A	6W	5V	5A	25W	153W				
PSEP415017CA	17V	6.41A	109W	5V	2A	10W	-12V	0.5A	6W	5V	5A	25W	150W				
PSEP416017CA	17V	7.00A	119W	5V	2A	10W	-12V	0.5A	6W	5V	5A	25W	160W				
PSEP414418CA	18V	5.72A	103W	5V	2A	10W	-12V	0.5A	6W	5V	5A	25W	144W				
PSEP416718CA	18V	7.00A	126W	5V	2A	10W	-12V	0.5A	6W	5V	5A	25W	167W				
PSEP414618CA	18V	3.88A	70W	5V	2A	10W	-12V	0.5A	6W	12V	5A	60W	146W				
PSEP416818CA	18V	5.11A	92W	5V	2A	10W	-12V	0.5A	6W	12V	5A	60W	168W				
PSEP415019CA	19V	5.73A	109W	5V	2A	10W	-12V	0.5A	6W	5V	5A	25W	150W				
PSEP417519CA	19V	7.05A	134W	5V	2A	10W	-12V	0.5A	6W	5V	5A	25W	175W				
PSEP415019CB	19V	4.36A	74W	5V	2A	10W	-12V	0.5A	6W	12V	5A	60W	150W				
PSEP417519CB	19V	5.21A	99W	5V	2A	10W	-12V	0.5A	6W	12V	5A	60W	175W				
PSEP414022CA	22V	4.50A	99W	5V	2A	10W	-12V	0.5A	6W	5V	5A	25W	140W				
PSEP416222CA	22V	5.50A	121W	5V	2A	10W	-12V	0.5A	6W	5V	5A	25W	162W				
PSEP414322CA	22V	3.04A	67W	5V	2A	10W	-12V	0.5A	6W	12V	5A	60W	143W				
PSEP416622CA	22V	4.09A	90W	5V	2A	10W	-12V	0.5A	6W	12V	5A	60W	166W				
PSEP414523CA	23V	4.52A	104W	5V	2A	10W	-12V	0.5A	6W	5V	5A	25W	145W				
PSEP416823CA	23V	5.52A	127W	5V	2A	10W	-12V	0.5A	6W	5V	5A	25W	168W				
PSEP414523CA	23V	3.00A	69W	5V	2A	10W	-12V	0.5A	6W	12V	5A	60W	145W				
PSEP417123CA	23V	4.13A	95W	5V	2A	10W	-12V	0.5A	6W	12V	5A	60W	171W				
PSEP415024CA	24V	4.54A	109W	5V	2A	10W	-12V	0.5A	6W	5V	5A	25W	150W				
PSEP417524CA	24V	5.58A	134W	5V	2A	10W	-12V	0.5A	6W	5V	5A	25W	175W				
PSEP415024CB	24V	3.08A	74W	5V	2A	10W	-12V	0.5A	6W	12V	5A	60W	150W				
PSEP417524CB	24V	4.12A	99W	5V	2A	10W	-12V	0.5A	6W	12V	5A	60W	175W				

SPECIFICATIONS

All specifications are based on 25°C, Nominal Input Voltage, and Maximum Output Current unless otherwise noted.
We reserve the right to change specifications based on technological advances.

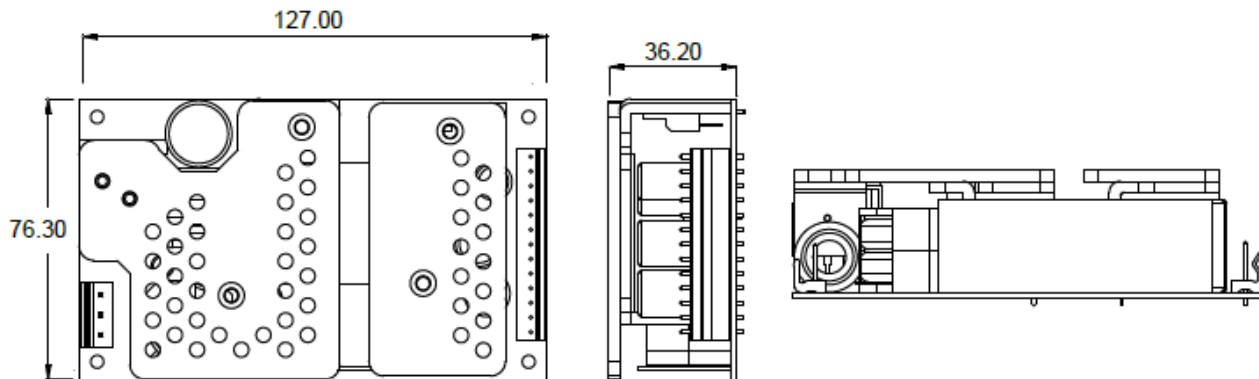
SPECIFICATION	TEST CONDITIONS	Min	Typ	Max	Unit
INPUT SPECIFICATIONS					
Input Voltage Range		90		264	VAC
Input Current			≤2.5		A
Inrush Current	@230VAC, Cold Start @25°C		≤120		A
OUTPUT SPECIFICATIONS					
Output Voltage					See Table
Load Regulation					See Table
Output Power					See Table
Output Current					See Table
Ripple & Noise ⁽¹⁾				2	%
Turn On Time			≤3		S
PROTECTION					
Short Circuit Protection					Latch Off
Over Current Protection					Latch Off
Over Voltage Protection					Latch Off
ENVIRONMENTAL SPECIFICATIONS					
Operating Temperature		0		50	°C
Storage Temperature		-20		85	°C
Storage Humidity		5		95	%
MTBF		50,000			Hours
GENERAL SPECIFICATIONS					
Efficiency	Depends on Models		≤85		%
Efficiency Level					Meets CEC Level V
PHYSICAL SPECIFICATIONS					
Weight					15.87oz (450g)
Dimensions (L x W x H)					5in x 3in x 1.43in (127mm x 76.30mm x 36.20mm)
SAFETY CHARACTERISTICS					
Safety Approvals		UL/CUL ⁽⁴⁾ , CB, CE, FCC			

NOTES

1. Ripple & Noise is measured by using 20MHz bandwidth limited oscilloscope and terminated each output with a 0.1μF ceramic capacitor & parallel with 47μF aluminum capacitor at full load and nominal line.
2. Line regulation is defined by changing ±10% of input voltage from nominal line at rated load.
3. Certificates listed are for reference, please contact factory for more information.
4. This product is Listed to applicable standards and requirements by UL.

**Due to advances in technology, specifications subject to change without notice.*

MECHANICAL DRAWINGS



- Mechanical Size: 127.0 x 76.3 x 36.2 (mm)
- AC Input Connector CON1 : JST/B5P-VH Series or equivalent
- DC Output Connector CON2 : JST/B13P-VH Series or equivalent
- DC Output Connector CON3 : CKM/20010203-6 or equivalent
- Pin Assignment:

CON1 :

P1	P3	P5
L	N	F.G

CON2 :

P1	P2-5	P6-9	P10-11	P12-13
Vout3	GND	Vout1	GND	Vout4

CON3 :

P1	P2	P3-4	P5-6
P.G/P.F	PS/ON	Vout2	GND

MODEL NUMBER SETUP

PSEP	2	166	22	A	0
Series Name	Number of Outputs	Total Output Power	Main Power Voltage	Secondary Voltage Coding	-12V/DC to DC Voltage Coding
	1: Single	100: 100 Watts	05: 5V	0: N/A	0: N/A
	2: Dual	110: 110 Watts	12: 12V	A: Stand By	A: 5V/5A
	3: Triple	115: 115 Watts	18: 18V	B: -12V	B: 12V/5A
	4: Quad	120: 120 Watts	19: 19V	C: Standby + (-12V)	
		122: 122 Watts	24: 24V	D: PCB 160 x 76.3mm	
		125: 125 Watts	36: 36V		
		126: 126 Watts	48: 48V		
		127: 127 Watts	56: 56V		
		128: 128 Watts			
		130: 130 Watts			
		132: 132 Watts			
		135: 135 Watts			
		138: 138 Watts			
		140: 140 Watts			
		141: 141 Watts			
		142: 142 Watts			
		143: 143 Watts			
		144: 144 Watts			
		145: 145 Watts			
		146: 146 Watts			
		147: 147 Watts			
		149: 149 Watts			
		150: 150 Watts			
		152: 152 Watts			
		153: 153 Watts			
		158: 158 Watts			
		160: 160 Watts			
		162: 162 Watts			
		165: 165 Watts			
		166: 166 Watts			
		167: 167 Watts			
		168: 168 Watts			
		169: 169 Watts			
		170: 170 Watts			
		171: 171 Watts			
		172: 172 Watts			
		173: 173 Watts			
		174: 174 Watts			
		175: 175 Watts			
		176: 176 Watts			
		177: 177 Watts			
		180: 180 Watts			
		190: 190 Watts			
		195: 195 Watts			
		200: 200 Watts			

COMPANY INFORMATION

Wall Industries, Inc. has created custom and modified units for over 50 years. Our in-house research and development engineers will provide a solution that exceeds your performance requirements on-time and on budget. Our ISO9001: 2015 certification is just one example of our commitment to producing a high quality, well-documented product for our customers.

Our past projects demonstrate our commitment to you, our customer. Wall Industries, Inc. has a reputation for working closely with its customers to ensure each solution meets or exceeds form, fit and function requirements. We will continue to provide ongoing support for your project above and beyond the design and production phases. Give us a call today to discuss your future projects.

Contact Wall Industries for further information:

Phone: (603)778-2300
Toll Free: (888)597-9255
Fax: (603)778-9797
E-mail: sales@wallindustries.com
Web: www.wallindustries.com
Address: 37 Industrial Drive
Exeter, NH 03833

©2019 Wall Industries, Inc. Specifications subject to change without notice. Wall Industries is not responsible for typographical errors. The information contained herein is for informational purposes only. This information is provided by Wall Industries and we make no representations or warranties of any kind, express or implied, about the completeness, accuracy, reliability, suitability or availability with respect to the information contained in this document for any purpose. All product and manufacturer names are trademarks or registered trademarks of their respective companies.