



Size: 2.60in x 1.26in x 1.67in (66mm x 32mm x 42.5mm)

FEATURES

- Universal Input Voltage Range of 100~240VAC
- Single Outputs
- Meets Energy Star V
- US or EU Plugs available
- Optional Output Connectors Available
- Short Circuit, Over Voltage, and Over Current Protection
- UL, ES60601-1, CSA: C22.2 NO.60601-1, EN: EN60601-1 Safety Approvals

DESCRIPTION

The WMGMPU06 series of AC/DC medical wall mount power supplies offers up to 6 watts of output power in a 2.60" x 1.26" x 1.67" package. This series consists of single output models with a universal input voltage range of 100~240VAC. Different plugs are available for this series including US and EU and optional output connectors are also available. This series has short circuit, over voltage, and over current protection and has UL, ES60601-1, CSA: C22.2 NO. 60601-1, EN: EN60601-1 safety approvals.

MODEL SELECTION TABLE

| Model Number ⁽¹⁾ | Input Voltage Range | Output Voltage | Measured at Output | Output Current | | Ripple Max. | Output Power | Efficiency ⁽²⁾ |
|-----------------------------|---------------------|----------------|--------------------|----------------|----------|-------------|--------------|---------------------------|
| | | | | Min Load | Max Load | | | |
| WMGMPU06X-1 | 100~240VAC | 5~6VDC | 5 | 1.00A | 1.20A | 80mV | 6W | >69.54% |
| WMGMPU06X-11 | | 5VDC | 5 | 1A | | 80mV | 5W | >68.2% |
| WMGMPU06X-1-1 | | 6~8VDC | 7.5 | 0.75A | 1.00A | 80mV | 6W | >74% |
| WMGMPU06X-2 | | 8~11VDC | 9 | 0.55A | 0.75A | 80mV | 6W | >74% |
| WMGMPU06X-3 | | 11~13VDC | 12 | 0.46A | 0.55A | 120mV | 6W | >74% |
| WMGMPU06X-4 | | 13~16VDC | 15 | 0.38A | 0.46A | 150mV | 6W | >74% |
| WMGMPU06X-5 | | 16~21VDC | 18 | 0.29A | 0.38A | 180mV | 6W | >74% |
| WMGMPU06X-6 | | 21~24VDC | 24 | 0.26A | 0.29A | 200mV | 6W | >74% |

SPECIFICATIONS

All specifications are based on 25°C, Nominal Input Voltage, and Maximum Output Current unless otherwise noted.
We reserve the right to change specifications based on technological advances.

| SPECIFICATION | TEST CONDITIONS | Min | Typ | Max | Unit |
|-------------------------------------|---|--------------------|-------|------|-------|
| INPUT SPECIFICATIONS | | | | | |
| Input Voltage Range | | 100 | | 240 | VAC |
| Input Frequency | | 47 | | 63 | Hz |
| Input Current | | 0.18 | | 0.09 | A |
| Inrush Current | @240VAC/50Hz at 25°C, Cold Start | | | 30 | A |
| Leakage Current | @240VAC/50Hz | | | 0.1 | mA |
| OUTPUT SPECIFICATIONS | | | | | |
| Output Voltage | | See Table | | | |
| Line Regulation | For any input voltage change between input voltage range | | | ±1 | % |
| Load Regulation | Variations from minimum to maximum output current | | ±5 | | % |
| Output Power | | See Table | | | |
| Output Current | | See Table | | | |
| Ripple | | See Table | | | |
| Transient Response | Maximum excursion of 5% or better on all models. Recovering to 3% of final value within 500n/sec after a 25% step load change. | | | | |
| Hold Up Time | | 8 | | | mSec |
| Temperature Coefficient | | | ±0.04 | | %/°C |
| PROTECTION | | | | | |
| Short Circuit Protection | Hiccup Mode | Automatic Recovery | | | |
| Over Current Protection | Hiccup Mode | Automatic Recovery | | | |
| | Rated Output Current | 110 | | | % |
| Over Voltage Protection | Protected by Zener Diode | | | | |
| | Rated Output Voltage | 110 | | 140 | % |
| ENVIRONMENTAL SPECIFICATIONS | | | | | |
| Operating Temperature | | 0 | | 40 | °C |
| Storage Temperature | | -40 | | +85 | °C |
| Relative Humidity | Non-Condensing | 5 | | 95 | % |
| Derating | Derated from 100% at +40°C linearly to 50% at 70°C | | | | |
| MTBF | @Full Load at 25°C ambient | 100,000 | | | Hours |

SPECIFICATIONS

All specifications are based on 25°C, Nominal Input Voltage, and Maximum Output Current unless otherwise noted.
We reserve the right to change specifications based on technological advances.

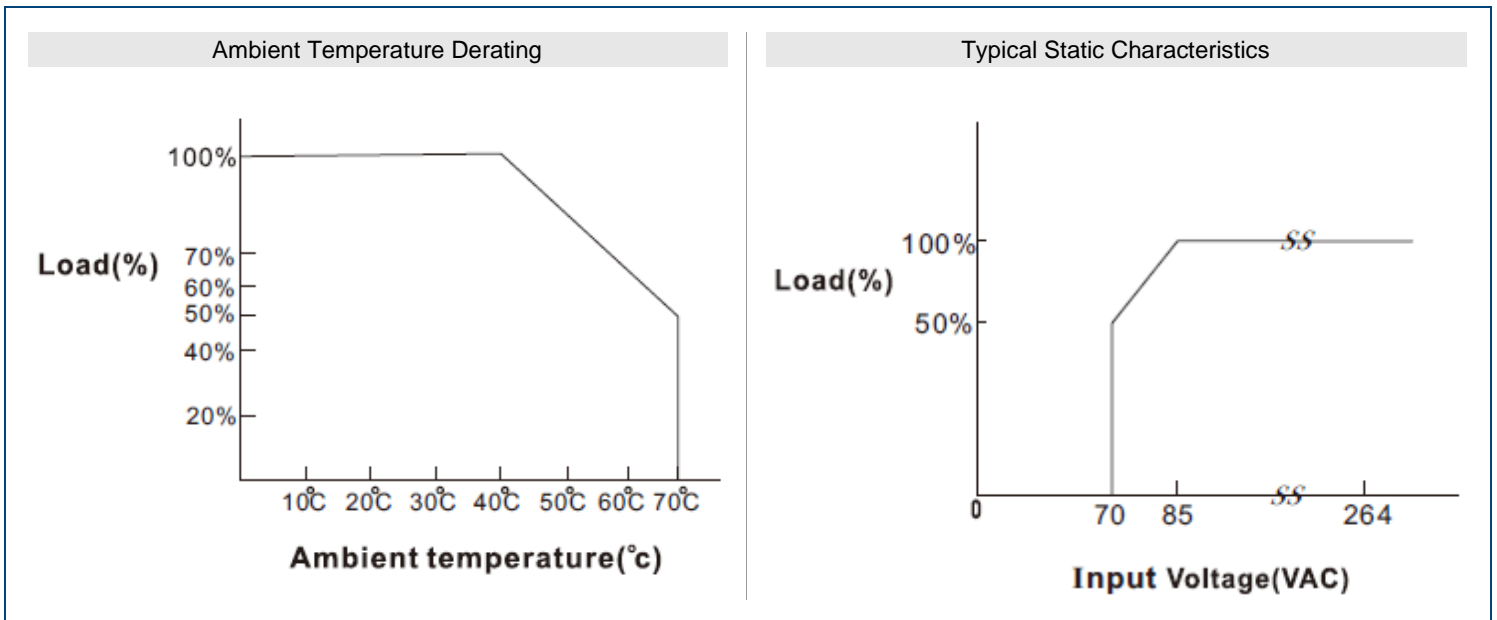
| SPECIFICATION | TEST CONDITIONS | Min | Typ | Max | Unit |
|--------------------------------|-----------------|--|------|-----|------|
| GENERAL SPECIFICATIONS | | | | | |
| Efficiency | | See Table | | | |
| Switching Frequency | | | 5656 | | VDC |
| Insulation Resistance | | 50 | | | MΩ |
| PHYSICAL SPECIFICATIONS | | | | | |
| Weight | | 2.47~3.53oz (70~100g) | | | |
| Dimensions (L x W x H) | | 2.60in x 1.26in x 1.67in (66mm x 32mm x 42.5mm) | | | |
| SAFETY CHARACTERISTICS | | | | | |
| Safety Approvals | | UL: ES60601-1 CSA: C22.2 No. 60601-1 EN: EN60601-1 | | | |
| EMC | | EN60601-1-2:2007 FCC Part 15 & Part 18 Class B | | | |

NOTES

1. "X" in model number indicates plug type. "X" can either be "U" for American plug or "E" for European plug.
2. Avg. Efficiency: Averages the efficiency at 25, 50, 75, and 100% of max. rated output current.
3. Energy star V standard output cable: 5~12V: UL2468, 22AWG, 4FT
12~24V: UL2468, 24AWG, 6FT
4. Optional output connectors are available.

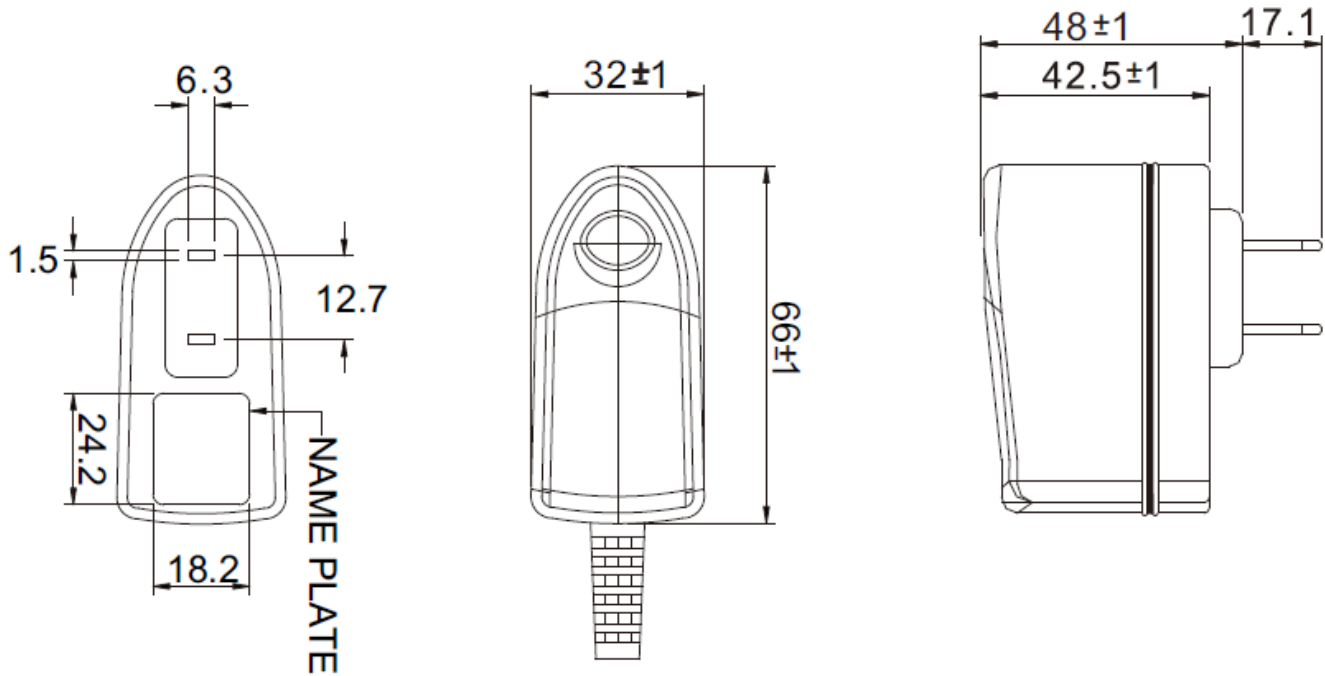
**Due to advances in technology, specifications subject to change without notice.*

DERATING CURVES

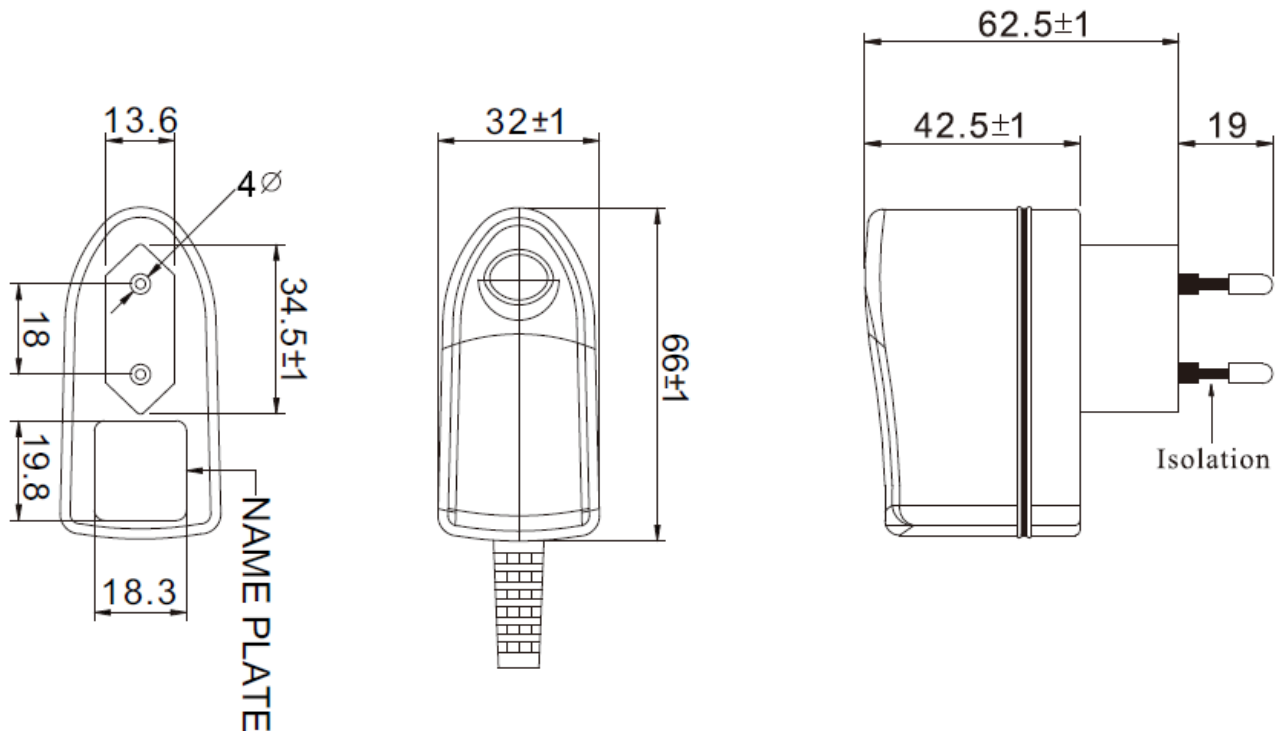


MECHANICAL DRAWINGS

American Plug



European Plug



COMPANY INFORMATION

Wall Industries, Inc. has created custom and modified units for over 50 years. Our in-house research and development engineers will provide a solution that exceeds your performance requirements on-time and on budget. Our ISO9001-2008 certification is just one example of our commitment to producing a high quality, well-documented product for our customers.

Our past projects demonstrate our commitment to you, our customer. Wall Industries, Inc. has a reputation for working closely with its customers to ensure each solution meets or exceeds form, fit and function requirements. We will continue to provide ongoing support for your project above and beyond the design and production phases. Give us a call today to discuss your future projects.

Contact **Wall Industries** for further information:

Phone: ☎ (603)778-2300
Toll Free: ☎ (888)597-9255
Fax: ☎ (603)778-9797
E-mail: sales@wallindustries.com
Web: www.wallindustries.com
Address: 37 Industrial Drive
Exeter, NH 03833