



Size: 3.52in x 1.51in x 1.20in (89.3mm x 38.4mm x 30.5mm)

**FEATURES**

- Single Output
- Up to 8 Watts of Output Power
- 11 to 15VDC Input Voltage Range
- Compact Package
- Optional Input and Output Connectors
- High Efficiency and Reliability
- Weight 2.5~3.5oz (70~100g)
- Dimensions: 3.52in x 1.51in x 1.20in

**DESCRIPTION**

The DCPSD12 series of non-isolated in car DC/DC supplies offers up to 8 watts of output power in a 3.52in x 1.51in x 1.20in compact package. This series consists of single output models with an input voltage range of 11 to 15VDC. Each model has high efficiency and high reliability and optional input and output connectors are available. Please contact factory for further information.

**MODEL SELECTION TABLE**

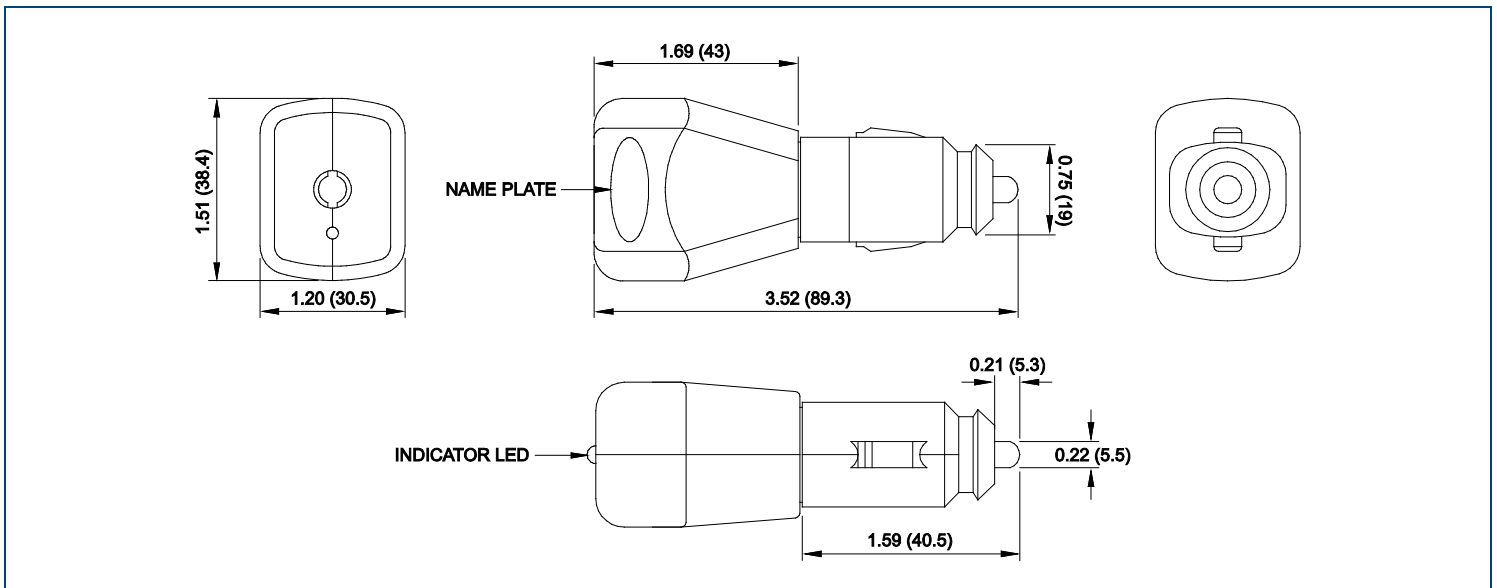
Model Number	Input Voltage Range	Output Voltage Range <sup>(1)</sup>	Output Current		Output Power
			Min Load	Max Load	
DCPSD12-1	11-15VDC	5~6VDC	0.83A	1.00A	5W
DCPSD12-1-1		6~8VDC	0.75A	1.00A	6W
DCPSD12-2		8~10VDC	0.72A	1.00A	8W
DCPSD12-4		13~16VDC	0.50A	0.61A	8W
DCPSD12-5		16~21VDC	0.38A	0.50A	8W
DCPSD12-6		21~27VDC	0.29A	0.38A	8W
DCPSD12-7		27~33VDC	0.24A	0.29A	8W
DCPSD12-8		33~48VDC	0.16A	0.24A	8W

**NOTES**

1. Output voltage is specified as a range. The output voltage can be set at any voltage within its specified range. User must specify what they would like the voltage set at.
2. Optional input and output connectors available, please call factory for details.

*\*Due to advances in technology, specifications subject to change without notice.*

**MECHANICAL DRAWINGS**



---

COMPANY INFORMATION

Wall Industries, Inc. has created custom and modified units for over 50 years. Our in-house research and development engineers will provide a solution that exceeds your performance requirements on-time and on budget. Our ISO9001-2008 certification is just one example of our commitment to producing a high quality, well-documented product for our customers.

Our past projects demonstrate our commitment to you, our customer. Wall Industries, Inc. has a reputation for working closely with its customers to ensure each solution meets or exceeds form, fit and function requirements. We will continue to provide ongoing support for your project above and beyond the design and production phases. Give us a call today to discuss your future projects.

Contact **Wall Industries** for further information:

Phone: ☎ (603)778-2300  
Toll Free: ☎ (888)597-9255  
Fax: ☎ (603)778-9797  
E-mail: [sales@wallindustries.com](mailto:sales@wallindustries.com)  
Web: [www.wallindustries.com](http://www.wallindustries.com)  
Address: 37 Industrial Drive  
Exeter, NH 03833