



Size: 2.36in x 1.18in x 2.36in (60mm x 30mm x 60mm)

FEATURES

- Quick Charge 2.0 Pattern
- Single Output Models
- Efficiency of 80.95%
- 20~30 Watts of Output Power
- RoHS Compliant
- Over Voltage, Over Power, and Short Circuit Protection
- CEC Compliance
- UL/cUL , CB, CE, FCC, and CCC Safety Approvals

DESCRIPTION

The WMEA1022 series of AC/DC wall mount power supplies offers 20~30 watts of output power in a 2.36" x 1.18" x 2.36" package. This series consists of single output models with an input voltage range of 100-240VAC. Each model in this series is RoHS and CEC compliant, and has over voltage, over power and short circuit protection. This series has UL/cUL, CB, CE, FCC, and CC safety approvals. Please call factory for order details.

MODEL SELECTION TABLE⁽¹⁾

Model Number	Input Voltage Range	Output Voltage ⁽²⁾	Output Current		Output Power	Ripple & Noise	Efficiency
			Min Load	Max Load			
WMEA1022A	100-240VAC	5V	0A	4A	20W	240mV	80.95%
WMEA1022B		9V	0A	2.22A	20W		
WMEA1022C		12V	0A	2.5A	30W		
WMEA1022D		20V	0A	1.0A	20W		

SPECIFICATIONS

All specifications are based on 25°C, Nominal Input Voltage, and Maximum Output Current unless otherwise noted.
We reserve the right to change specifications based on technological advances.

SPECIFICATION	TEST CONDITIONS	Min	Typ	Max	Unit
INPUT SPECIFICATIONS					
Input Voltage Range		100		240	VAC
Input Current			≤1.0		A
Inrush Current	@230VAC, Cold Start, Maximum Load		≤60		A
OUTPUT SPECIFICATIONS					
Output Voltage		See Table			
Line Regulation ⁽³⁾			±1		%
Load Regulation			±5		%
Output Power		See Table			
Output Current		See Table			
Minimum Load		0			A
No Load Power ⁽⁴⁾			≤0.3		W
Ripple & Noise (20MHz bandwidth) ⁽⁵⁾			240		mV
Turn On Time			≤3		S
Hold Up Time			≥8.3		mS
PROTECTION					
Short Circuit Protection		Automatic Recovery			
Over Power Protection		Automatic Recovery			
Over Voltage Protection		Automatic Recovery			
ENVIRONMENTAL SPECIFICATIONS					
Operating Case Temperature		0		40	°C
Storage Temperature		-20		85	°C
Operating Humidity		10		90	%
Storage Humidity		5		90	%
MTBF		30,000			Hours
GENERAL SPECIFICATIONS					
Efficiency			80.95		%
PHYSICAL SPECIFICATIONS					
Weight		7.05oz (200g)			
Dimensions (L x W x H)		2.36in x 1.18in x 2.36in (60mm x 30mm x 60mm)			
DC Output		USB Type			
SAFETY CHARACTERISTICS					
Safety Approvals ⁽⁶⁾		UL/cUL ⁽⁷⁾ , CB, CE, FCC, CCC			

NOTES

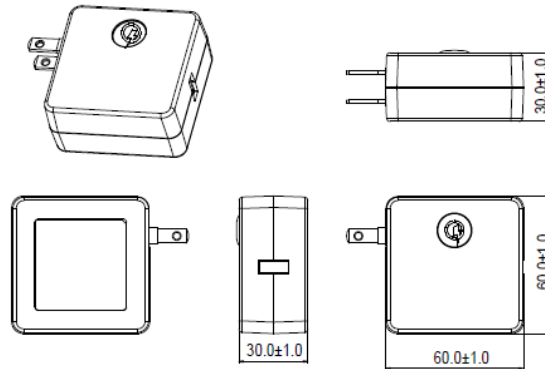
1. Table: Output Interface (Reference): Standard USB Output

D+	D-	Output
Open Circuit	Open Circuit	5V (Default)
3.3V	0.6V	9V
0.6V	0.6V	12V
3.3V	3.3V	20V

- Output Voltage control follows Table 1 rule. Output Voltage Spec refer to model selection table.
- Line regulation is defined by changing $\pm 10\%$ of input voltage from nominal line at rated load.
- Only for 5V, 9V, 12V output used.
- Ripple & Noise is measured by using 20MHz bandwidth limited oscilloscope and terminated each output with a 0.1uF ceramic capacitor & parallel with 47uF aluminum capacitor at full load and nominal line.
- Certificates listed are for reference only. Please contact factory for details.
- This product is Listed to applicable standards and requirements by UL.

**Due to advances in technology, specifications subject to change without notice.*

MECHANICAL DRAWINGS



- Case Size: 60L x 60W x 30H (mm)
- AC Input: USA Type
- DC Output: USB Type
- Weight: 200g

COMPANY INFORMATION

Wall Industries, Inc. has created custom and modified units for over 50 years. Our in-house research and development engineers will provide a solution that exceeds your performance requirements on-time and on budget. Our ISO9001: 2015 certification is just one example of our commitment to producing a high quality, well-documented product for our customers.

Our past projects demonstrate our commitment to you, our customer. Wall Industries, Inc. has a reputation for working closely with its customers to ensure each solution meets or exceeds form, fit and function requirements. We will continue to provide ongoing support for your project above and beyond the design and production phases. Give us a call today to discuss your future projects.

Contact **Wall Industries** for further information:

Phone: ☎ (603)778-2300
 Toll Free: ☎ (888)597-9255
 Fax: ☎ (603)778-9797
 E-mail: sales@wallindustries.com
 Web: www.wallindustries.com
 Address: 37 Industrial Drive
 Exeter, NH 03833

©2019 Wall Industries, Inc. Specifications subject to change without notice. Wall Industries is not responsible for typographical errors. The information contained herein is for informational purposes only. This information is provided by Wall Industries and we make no representations or warranties of any kind, express or implied, about the completeness, accuracy, reliability, suitability or availability with respect to the information contained in this document for any purpose. All product and manufacturer names are trademarks or registered trademarks of their respective companies.