



Size: 6.77in x 3.43in x 1.06in (172mm x 87mm x 27mm)

FEATURES

- Input Voltage Range of 100-240VAC
- Active PFC Function
- High Efficiency
- RoHS Compliant
- DoE VI Compliant
- Over Voltage, Over Current, and Short Circuit Protection
- 100% Burn-In
- 100% Hi-Pot Tested
- UL/CUL, and CB Safety Approvals

DESCRIPTION

The DTEA2240 series of AC/DC desktop power supplies offers up to 240 watts of output power in a 6.77" x 3.43" x 1.06" package. This series consists of single and dual output models with an input voltage range of 100-240VAC. Each model in this series has active PFC function, is RoHS and DoE VI compliant, and has over voltage, over current and short circuit protection. This series has UL/CUL and CB safety approvals and has been 100% burn-in and hi-pot tested.

MODEL SELECTION TABLE

Single Output Models

Model Number	Input Voltage Range	Output Voltage	Output Current		Output Power	Ripple & Noise	Efficiency
			Min Load	Max Load			
DTEA1240A	100-240VAC	12~16VDC	13.75A	18.33A	220W	2% Max.	88% Typ.
DTEA1240B		18~20VDC	11.48A	12.0A	240W		
DTEA1240C		22~24VDC	10A	10.9A	240W		

MODEL SELECTION TABLE

Dual Output Models

Model Number	Input Voltage Range	Output Voltage	Output Current		Output Power	Ripple & Noise	Efficiency
			Min Load	Max Load			
DTEA2240A	100-240VAC	12~16V	13.09A	17.46A	220W	2% Max.	88% Typ.
DTEA2240B		5V	0A	2.1A			
		18~20V	10.9A	11.48A	240W		
DTEA2240C		5V	0A	2.1A			
		22~24V	9.56A	10.43A	240W		
5V		0A	2.1A				

SPECIFICATIONS

All specifications are based on 25°C, Nominal Input Voltage, and Maximum Output Current unless otherwise noted.
We reserve the right to change specifications based on technological advances.

SPECIFICATION	TEST CONDITIONS	Min	Typ	Max	Unit
INPUT SPECIFICATIONS					
Input Voltage Range		100		240	VAC
Input Frequency		50		60	Hz
Input Current			≤3.0		A
Inrush Current	@230VAC, Cold Start, Maximum Load		≤150		A
OUTPUT SPECIFICATIONS					
Output Voltage			See Table		
Load Regulation				±3	%
Output Power		See Table			
Output Current		See Table			
Ripple & Noise (20MHz bandwidth) ⁽¹⁾				2	%
Turn-On Time			≤3		S
No Load Power Saving	USB Power, No Plug In		≤0.21		W
PROTECTION					
Short Circuit Protection		Latch-Off Mode			
Over Current Protection		Latch-Off Mode			
Over Voltage Protection		Latch-Off Mode			
Over Temperature Protection		Latch-Off Mode			
ENVIRONMENTAL SPECIFICATIONS					
Operating Case Temperature		0		40	°C
Storage Temperature		-20		85	°C
Storage Humidity		5		90	%
MTBF		50,000			Hours

SPECIFICATIONS

All specifications are based on 25°C, Nominal Input Voltage, and Maximum Output Current unless otherwise noted.
We reserve the right to change specifications based on technological advances.

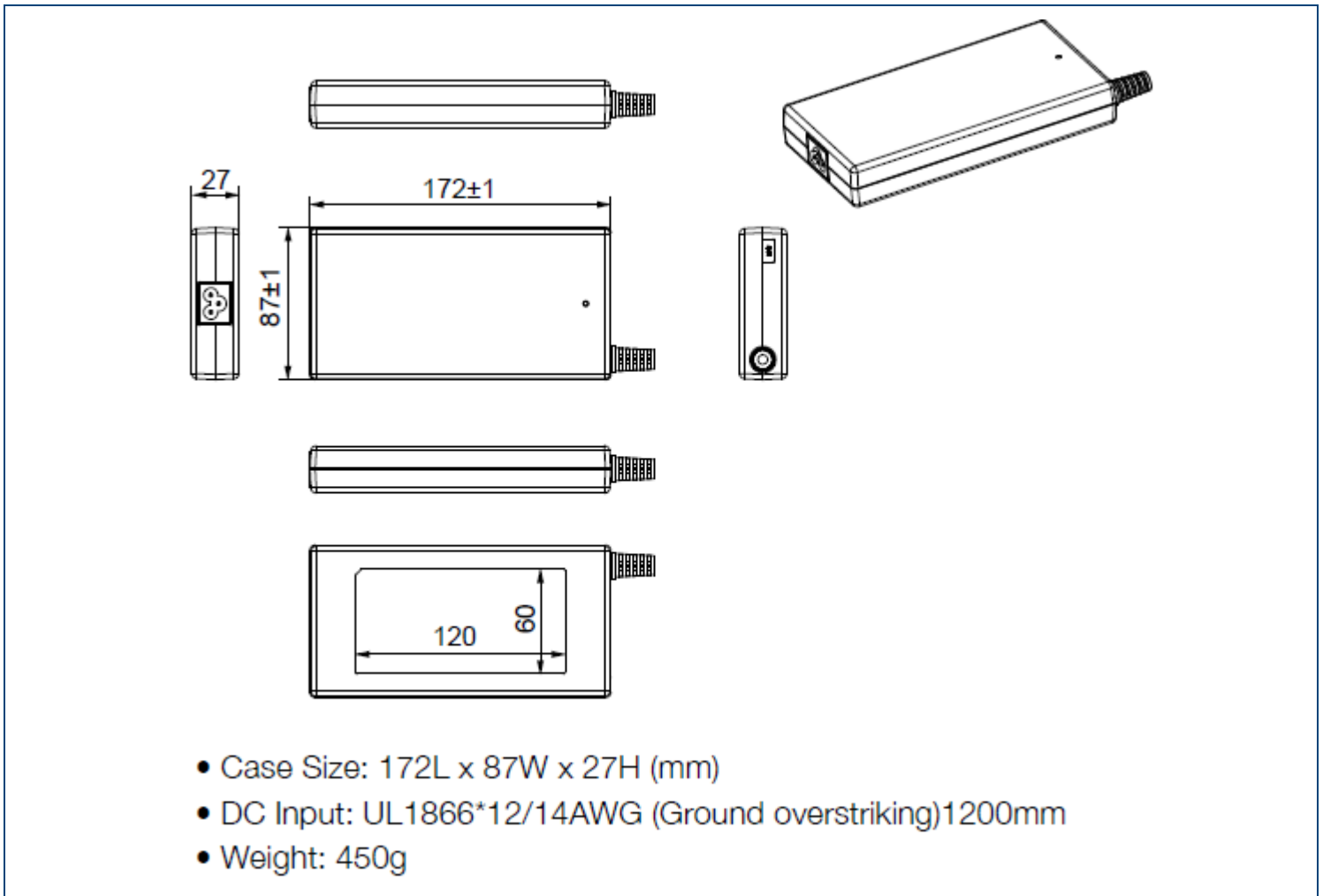
SPECIFICATION	TEST CONDITIONS	Min	Typ	Max	Unit
GENERAL SPECIFICATIONS					
Efficiency			88		%
PHYSICAL SPECIFICATIONS					
Weight			15.87oz (450g)		
Dimensions (L x W x H)			6.77in x 3.43in x 1.06in (172mm x 87mm x 27mm)		
DC Input		UL1866*12/14AWG (Ground Over Striking) 1200mm			
SAFETY CHARACTERISTICS					
Safety Approvals		UL/CUL ⁽²⁾ , CB			

NOTES

- Ripple & noise is measured by using 20MHz bandwidth limited oscilloscope and terminated each output with a 0.1uF ceramic capacitor & parallel with 47uF aluminum capacitor at full load and nominal line.
- This product is Listed to applicable standards and requirements by UL.

**Due to advances in technology, specifications subject to change without notice.*

MECHANICAL DRAWINGS



COMPANY INFORMATION

Wall Industries, Inc. has created custom and modified units for over 50 years. Our in-house research and development engineers will provide a solution that exceeds your performance requirements on-time and on budget. Our ISO9001: 2015 certification is just one example of our commitment to producing a high quality, well-documented product for our customers.

Our past projects demonstrate our commitment to you, our customer. Wall Industries, Inc. has a reputation for working closely with its customers to ensure each solution meets or exceeds form, fit and function requirements. We will continue to provide ongoing support for your project above and beyond the design and production phases. Give us a call today to discuss your future projects.

Contact **Wall Industries** for further information:

Phone: ☎ (603)778-2300
Toll Free: ☎ (888)597-9255
Fax: ☎ (603)778-9797
E-mail: sales@wallindustries.com
Web: www.wallindustries.com
Address: 37 Industrial Drive
Exeter, NH 03833

©2019 Wall Industries, Inc. Specifications subject to change without notice. Wall Industries is not responsible for typographical errors. The information contained herein is for informational purposes only. This information is provided by Wall Industries and we make no representations or warranties of any kind, express or implied, about the completeness, accuracy, reliability, suitability or availability with respect to the information contained in this document for any purpose. All product and manufacturer names are trademarks or registered trademarks of their respective companies.