



Size: 5.79in x 2.38in x 0.87in (147mm x 60.50mm x 22mm)

FEATURES

- Input Voltage Range of 100 to 240VAC
- LED Indication
- 88% Efficiency
- RoHS Compliant
- DoE Level VI Compliant
- Over Voltage, Over Current, Over Temperature, and Short Circuit Protection
- UL/cUL, CB, CE, FCC, and CCC Safety Approvals

DESCRIPTION

The DTEA1151 series of AC/DC desktop power supplies offers up to 150 watts of output power in a 5.79" x 2.38" x 0.87" package. This series consists of single output models with an input voltage range of 100 to 240VAC. Each model in this series is RoHS compliant, DoE Level VI compliant, and has over voltage, over current, over temperature and short circuit protection. This series has UL/cUL, CB, CE, FCC, and CCC safety approvals. Please call factory for order details.

MODEL SELECTION TABLE

Model Number	Input Voltage Range	Output Voltage	Output Current		Ripple & Noise	Output Power	Efficiency
			Min Load	Max Load			
DTEA11513A	100-240VAC	12~16V	0A	10A	240mV	120W	88% Typ.
DTEA11513B		12~16V	0A	10.83A	240mV	130W	
DTEA11513C		19~24V	0A	6.31A	300mV	120W	
DTEA11513D		19~24V	0A	6.84A	300mV	130W	
DTEA11513E		19~24V	0A	7.36A	300mV	140W	
DTEA11513F		19~24V	0A	7.89A	300mV	150W	

SPECIFICATIONS

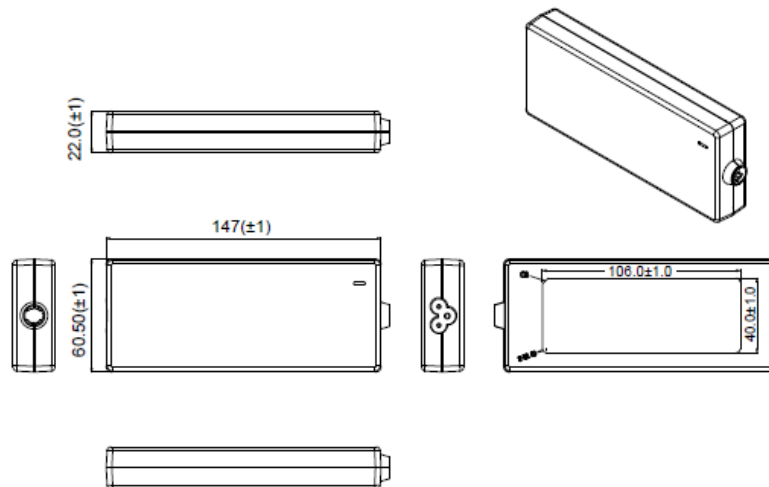
All specifications are based on 25°C, Nominal Input Voltage, and Maximum Output Current unless otherwise noted.
We reserve the right to change specifications based on technological advances.

SPECIFICATION	TEST CONDITIONS	Min	Typ	Max	Unit
INPUT SPECIFICATIONS					
Input Voltage Range		100		240	VAC
Input Current			≤2.5		A
Inrush Current	At 230VAC, cold start, maximum load		≤160		A
OUTPUT SPECIFICATIONS					
Output Voltage		See Table			
Line Regulation ⁽¹⁾				1	%
Load Regulation				5	%
Output Power		See Table			
Output Current		See Table			
Minimum Load		0			A
No Load Power			≤0.21		W
Ripple & Noise (20MHz bandwidth) ⁽²⁾		See Table			
Turn-On Time			≤3		S
PROTECTION					
Short Circuit Protection		Automatic Recovery			
Over Current Protection		Automatic Recovery			
Over Voltage Protection		Latch Mode			
Over Temperature Protection		Latch Mode			
ENVIRONMENTAL SPECIFICATIONS					
Operating Case Temperature		0		40	°C
Storage Temperature		-20		85	°C
Storage Humidity		5		90	%
MTBF		100,000			Hours
GENERAL SPECIFICATIONS					
Efficiency			88		%
PHYSICAL SPECIFICATIONS					
Weight		16.23oz (460g)			
Dimensions (L x W x H)		5.79in x 2.38in x 0.87in (147mm x 60.50mm x 22mm)			
DC Input		UL1185*16AWG (Ground Overstriking) 1200mm			
SAFETY CHARACTERISTICS					
Safety Approvals		UL/cUL ⁽³⁾ , CB, CE, FCC, CCC			

NOTES

1. Line regulation is defined by changing $\pm 10\%$ of input voltage from nominal line at rated load.
2. Ripple & Noise is measured by using 20MHz bandwidth limited oscilloscope and terminated each output with a 0.1uF ceramic capacitor & parallel with 47uF aluminum capacitor at full load and nominal line.
3. This product is Listed to applicable standards and requirements by UL.

**Due to advances in technology, specifications subject to change without notice.*

MECHANICAL DRAWINGS

- Case Size: 147L x 60.5W x 22H (mm)
- DC Input: UL1185*16AWG(Ground overstriking) 1200mm
- Weight: 460g

COMPANY INFORMATION

Wall Industries, Inc. has created custom and modified units for over 50 years. Our in-house research and development engineers will provide a solution that exceeds your performance requirements on-time and on budget. Our ISO9001: 2015 certification is just one example of our commitment to producing a high quality, well-documented product for our customers.

Our past projects demonstrate our commitment to you, our customer. Wall Industries, Inc. has a reputation for working closely with its customers to ensure each solution meets or exceeds form, fit and function requirements. We will continue to provide ongoing support for your project above and beyond the design and production phases. Give us a call today to discuss your future projects.

Contact **Wall Industries** for further information:

Phone: ☎ (603)778-2300
Toll Free: ☎ (888)597-9255
Fax: ☎ (603)778-9797
E-mail: sales@wallindustries.com
Web: www.wallindustries.com
Address: 37 Industrial Drive
Exeter, NH 03833

©2019 Wall Industries, Inc. Specifications subject to change without notice. Wall Industries is not responsible for typographical errors. The information contained herein is for informational purposes only. This information is provided by Wall Industries and we make no representations or warranties of any kind, express or implied, about the completeness, accuracy, reliability, suitability or availability with respect to the information contained in this document for any purpose. All product and manufacturer names are trademarks or registered trademarks of their respective companies.