



Size: 3.82in x 1.78in x 1.44in (97.1mm x 45.1mm x 36.7mm)

OPTIONS

- Cabinet Color
- Output Voltage (5-48V)

APPLICATIONS

- E-POS
- TVB
- LCD Screen
- Battery Charger
- Laptop
- LED
- DVR

FEATURES

- Up to 48 Watts of Output Power
- Lightweight and Compact
- Universal Input of 100~240VAC 50/60Hz
- High Efficiency: $\geq 85\%$
- Short Circuit, Over Voltage, Over Current Protection
- US, EU, BS, AU, and JP interchangeable plugs available

DESCRIPTION

The WMICP48 series of AC/DC wall mount power supplies delivers up to 48 Watts of output power in a 3.82" x 1.78" x 1.44" package. Single output models are available from 5-48V with a universal input voltage of 100~240VAC. This series has CE, GS, UL, FCC, SAA, C-Tick, PSE, BS1363, and CB safety approvals and an Efficiency Level of $\geq 85\%$. US, EU, BS, AU, and JP interchangeable plugs are available for this series.

MODEL SELECTION TABLE

Model Number	Input Voltage Range	Output Voltage	Output Current	Ripple & Noise	Output Voltage Tolerance	Output Power	Efficiency
			Max Load				
WMICP48-050-5000	100~240VAC (50/60 Hz)	5V	5000mA	50mV	$\pm 5\%$	25W	ERP V
WMICP48-090-5000		9V	5000mA	90mV	$\pm 5\%$	45W	ERP V
WMICP48-120-3000		12V	3000mA	120mV	$\pm 5\%$	36W	ERP V
WMICP48-120-4000		12V	4000mA	120mV	$\pm 5\%$	48W	ERP V
WMICP48-240-2000		24V	2000mA	240mV	$\pm 5\%$	48W	ERP V
WMICP48-48-1000		48V	1000mA	240mV	$\pm 5\%$	48W	ERP V

SPECIFICATIONS

All specifications are based on 25°C, Nominal Input Voltage, and Maximum Output Current unless otherwise noted.
 We reserve the right to change specifications based on technological advances.

SPECIFICATION	TEST CONDITIONS	Min	Typ	Max	Unit
INPUT SPECIFICATIONS					
Input Voltage Range		100		240	VAC
Input Frequency		47	50/60	63	Hz
Input Current	@ 90VAC/60Hz and Full Load			1.3	A
Inrush Current	@100VAC and Full Load			30	A
	@240VAC and Full Load			75	
Stand-by Power	@230VAC/50Hz and No Load			0.5	W
Input Filter					
OUTPUT SPECIFICATIONS					
Output Voltage		3		30	VDC
Voltage Tolerance		-10		+10	%
Line Regulation		-1		+1	%
Load Regulation		-0.5		+0.5	%
Voltage Adjustability					
Remote Sense					
Output Power	Output power available from 1-48W				See Table
Output Current	Output current available from 100mA to 5000mA				See Table
Minimum Load		0			mA
Ripple & Noise (20MHz bandwidth) ⁽¹⁾	With a 0.1µF ceramic and 10µF electrolytic capacitor in parallel	-1		+1	%
Hold-Up Time	100VAC/60Hz and Full Load	10			mS
Turn-On Time	100VAC/60Hz and Full Load			3	S
PROTECTION					
Short Circuit Protection					Output shut down; Automatic recovery
Over Voltage Protection					Output shut down; Automatic recovery
Over Current Protection					Output shut down; Automatic recovery
ENVIRONMENTAL SPECIFICATIONS					
Operating Temperature		0		40	°C
Storage Temperature		-10		70	°C
Humidity	Non-Condensing	5		95	%RH
Cooling					Free Air Convection
MTBF		50,000			Hours

SPECIFICATIONS

All specifications are based on 25°C, Nominal Input Voltage, and Maximum Output Current unless otherwise noted.
 We reserve the right to change specifications based on technological advances.

SPECIFICATION	TEST CONDITIONS	Min	Typ	Max	Unit
GENERAL SPECIFICATIONS					
Efficiency	At 100~240VAC, 50/60Hz, Full Load	75			%
Switching Frequency			65		KHz
Dielectric Withstand Voltage (I/P to O/P)	10mA/60 sec	3000			VAC
Insulation	500VDC	10			MΩ
PHYSICAL SPECIFICATIONS					
Weight					8.75oz (248g)
Dimensions (L x W x H)					3.82in x 1.78in x 1.44in (97.1mm x 45.1mm x 36.7mm)
AC Plug ⁽²⁾					US, UK, EU, AUS, JP plug types
Output Connector					Several Options Available
Case Color					Several Pantone® color options available
SAFETY & EMC CHARACTERISTICS					
Safety Approvals	CE				C-Tick
	GS				PSE
	UL ⁽⁴⁾				BS1363
	FCC				CB
	SAA				Efficiency ERP V

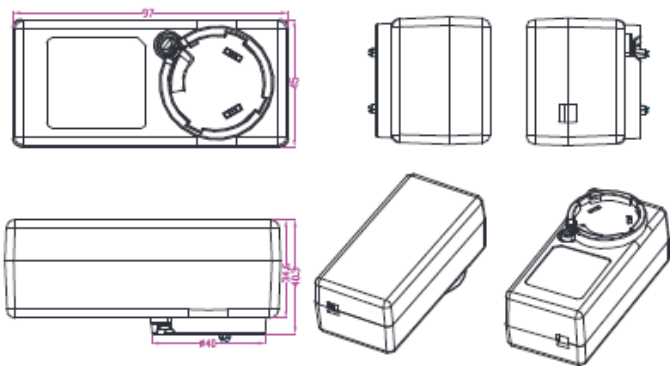
NOTES

- (1) Ripple and noise is measured at 20MHz limited bandwidth with 0.1µF ceramic and 10µF electrolytic capacitors across the output. Percentage of Output Voltage
- (2) Interchangeable plugs are sold separately. Please call factory for ordering details
- (3) Note: WMCIP48-xxx-yyyy
xxx- 3 digits indicates the output voltage in V after being divided by 10. The minimum step is 0.1V e.g. 050=5.0V, 240=24V
yyyy- 4 digits indicates the output current in mA. The minimum step is 1mA e.g. 0500=500mA, 5000=5000mA
- (4) This product is Listed to applicable standards and requirements by UL.

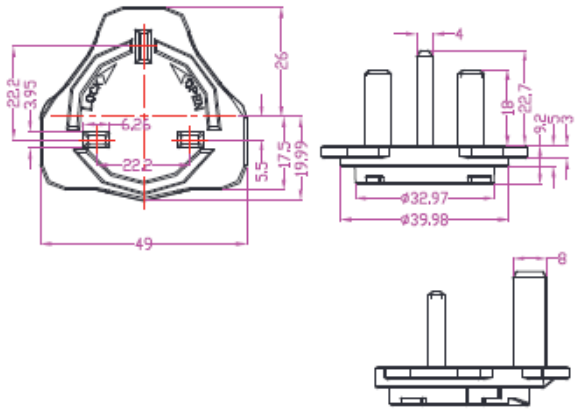
**Due to advances in technology, specifications subject to change without notice.*

MECHANICAL DRAWINGS

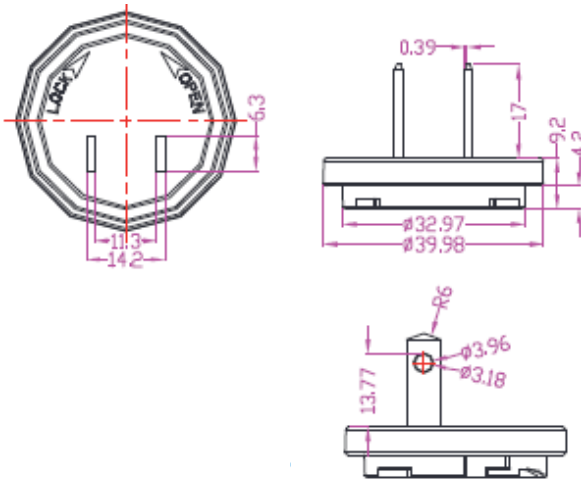
Main Unit



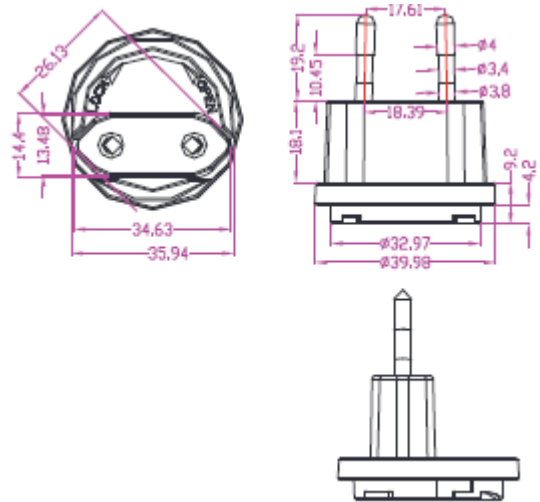
BS Plug



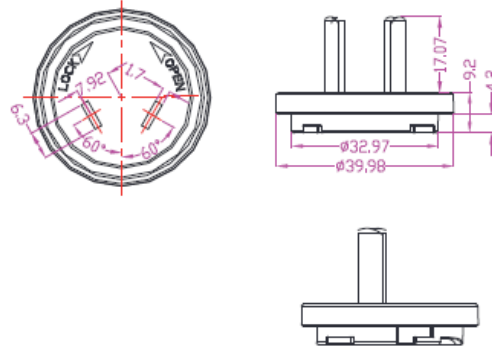
US, JPN Plug



EU Plug



AU Plug



COMPANY INFORMATION

Wall Industries, Inc. has created custom and modified units for over 50 years. Our in-house research and development engineers will provide a solution that exceeds your performance requirements on-time and on budget. Our ISO9001: 2015 certification is just one example of our commitment to producing a high quality, well-documented product for our customers.

Our past projects demonstrate our commitment to you, our customer. Wall Industries, Inc. has a reputation for working closely with its customers to ensure each solution meets or exceeds form, fit and function requirements. We will continue to provide ongoing support for your project above and beyond the design and production phases. Give us a call today to discuss your future projects.

Contact **Wall Industries** for further information:

Phone: ☎ (603)778-2300
Toll Free: ☎ (888)597-9255
Fax: ☎ (603)778-9797
E-mail: sales@wallindustries.com
Web: www.wallindustries.com
Address: 37 Industrial Drive
Exeter, NH 03833

©2019 Wall Industries, Inc. Specifications subject to change without notice. Wall Industries is not responsible for typographical errors. The information contained herein is for informational purposes only. This information is provided by Wall Industries and we make no representations or warranties of any kind, express or implied, about the completeness, accuracy, reliability, suitability or availability with respect to the information contained in this document for any purpose. All product and manufacturer names are trademarks or registered trademarks of their respective companies.