

U Type: American



E Type: European



S Type: 3-Pin Australian



SA Type: 2-Pin Australian



BS Type: UK



Size: 2.6in x 1.26in x 1.67in

Size: 2.6in x 1.26in x 1.67in

Size: 2.94in x 1.64in x 1.69in

Size: 2.94in x 1.64in x 1.69in

Size: 2.83in x 1.97in x 1.69in

**OPTIONS**

- Plug Type
- Output Cable
- Output Voltage

**FEATURES**

- Universal Input Voltage Range of 100~240VAC
- Meets Efficiency Level VI
- Passes LPS
- Single Outputs
- Optional Output Connectors Available
- Compact Package
- High Efficiency and Reliability
- Compact Package
- UL60950-1, CSA C22.2, EN60950-1, and IEC60950-1 Safety Approvals
- Over Voltage, Over Current, and Short Circuit Protection
- US, EU, 3-Pin Australian, 2-Pin Australian, or UK Plugs Available

**DESCRIPTION**

The WMGPSU06 series of AC/DC wall mount power supplies offers up to 6 watts of output power in a compact package. Single outputs are available for this series with an input range of 100 to 240VAC, 50 to 60Hz. Five different plug types are available in this series: American plug type, European plug type, 3-pin and 2-pin Australian plug types, and UK plug type. The series is protected against short circuit, over voltage, and over current conditions and is Efficiency Level VI compliant. This series offers high efficiency and reliability and optional output connectors are available. Please call factory for ordering details.

**MODEL SELECTION TABLE**

Model Number <sup>(1)</sup>	Input Voltage Range	Output Voltage	Output Current	Ripple & Noise	No Load Power Consumption	Output Power	Min. Efficiency <sup>(2)</sup>	Efficiency Level	Measured at Output
WMGPSU06x-1	100~240VAC	5~6VDC	1.00~0.80A	50mV	<0.5W	5W	60%	Level VI	5
WMGPSU06x-1-1		6~8VDC	1.00~0.75A	80mV	<0.5W	6W	65%	Level VI	7.5
WMGPSU06x-2		8~11VDC	0.75~0.54A	80mV	<0.5W	6W	70%	Level VI	9
WMGPSU06x-3		11~13VDC	0.54~0.46A	100mV	<0.5W	6W	74%	Level VI	12
WMGPSU06x-4		13~16VDC	0.46~0.37A	120mV	<0.5W	6W	74%	Level VI	15
WMGPSU06x-5		16~21VDC	0.37~0.28A	150mV	<0.5W	6W	74%	Level VI	18
WMGPSU06x-6		21~27VDC	0.28~0.20A	180mV	<0.5W	6W	75%	Level VI	24
WMGPSU06x-7		27~33VDC	0.20~0.18A	200mV	<0.5W	6W	75%	Level VI	28
WMGPSU06U-8		33~48VDC	0.18~0.12A	200mV	<0.5W	6W	75%	Level VI	48

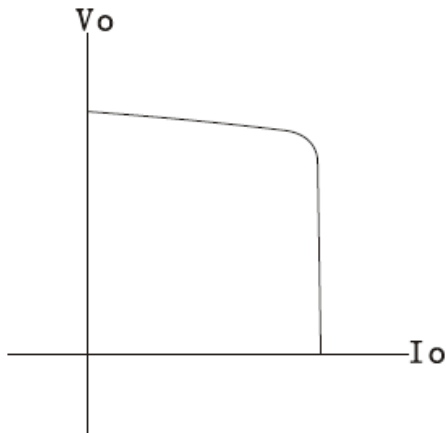
SPECIFICATIONS						
All specifications are based on 25°C, Nominal Input Voltage, and Maximum Output Current unless otherwise noted. We reserve the right to change specifications based on technological advances.						
SPECIFICATION	TEST CONDITIONS		Min	Typ	Max	Unit
<b>INPUT SPECIFICATIONS</b>						
Input Voltage Range			100		240	VAC
Input Frequency			50		60	Hz
Input Current					0.2	A
Inrush Current	@115VAC at 25°C Cold Start			30		A
	@230VAC at 25°C Cold Start			60		
<b>OUTPUT SPECIFICATIONS</b>						
Output Voltage					See Table	
Line Regulation	For any input voltage change between input voltage range	3~5V			±1	%
		5~48V			±0.5	
Load Regulation	Variations from minimum to maximum output current	3~5V		±10		%
		5~11V		±6		
		11~21V		±4		
		21~48V		±3		
Output Power					See Table	
Output Current						See Table
Ripple & Noise						See Table
Transient Response	Maximum excursion of 4% or better on all models. Recovering to 1% of final value within 500uS after a 25% step load change					
Set-Up Time	@Full Load			3000		mS
Hold-Up Time	@Full Load			10		mS
Rise Time	@Full Load			50		mS
Temperature Coefficient	All Outputs				±0.04	%/°C
<b>PROTECTION</b>						
Short Circuit Protection	Hiccup Mode				Auto-Recovery	
Over Voltage Protection	Protected by Zener diode					
Over Current Protection <sup>(3)</sup>					Auto-Recovery	
<b>ENVIRONMENTAL SPECIFICATIONS</b>						
Operating Temperature			0		40	°C
Storage Temperature			-40		85	°C
Relative Humidity	Non-Condensing		5		95	%RH
Derating	Derated from 100% at +40°C linearly to 70% at 50°C					
MTBF	@Full Load, 25°C ambient		100,000			hours
<b>GENERAL SPECIFICATIONS</b>						
Efficiency					See Table	
Insulation Resistance	From Input to Output		50			MΩ
Withstand Voltage	From Input to Output		4242			VDC
Leakage Current	@240VAC/50Hz				0.25	mA
<b>PHYSICAL SPECIFICATIONS</b>						
Weight					2.47~3.53oz (70~100g)	
Dimensions (L x W x H)	U Type, E Type				2.6in x 1.26in x 1.67in (66mm x 32mm x 42.5mm)	
	S Type, SA Type				2.94in x 1.46in x 1.69in (74.6mm x 41.6mm x 43mm)	
	BS Type				2.83in x 1.97in x 1.69in (72mm x 50mm x 42.8mm)	
<b>SAFETY &amp; EMC CHARACTERISTICS</b>						
Safety Approvals		UL60950-1; CSA C22.2 EN60950-1 IEC60950-1				
EMC		(A) CE: Emission: EN55022 EN61000-3-2,3/Immunity: IEC61000-4-2,3,4,5,6,11 (B) FCC 47 CFR Part 15 Subpart B. ICES-003 Issue 4 ANSI C63.4-2003				

**NOTES**

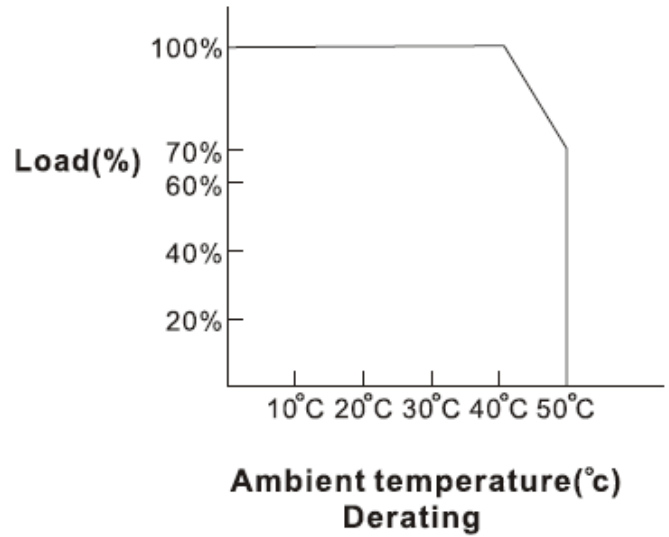
- (1) "x" in model name indicates the plug type. "U"= U type=American Plug, "E"= E Type=European plug, "S"= S Type= 3-Pin Australian plug, "SA"= SA Type= 2-Pin Australian type, and "BS"= UK type, UK Plug.
- (2) Average Efficiency at 25, 50, 75, and 100% load
- (3) Standard Series: Rated output current >110% for primary-referenced direct drive (Constant current series: Rated output current 80~200% for secondary-reference direct drive)
- (4) Optional Output Connectors are available, please call factory for ordering details
- (5) Standard Output Cable:  
 5~11V: UL1185, 18AWG, 4FT  
 11~48V: UL2468, 24AWG, 6FT

**DERATING CURVES**

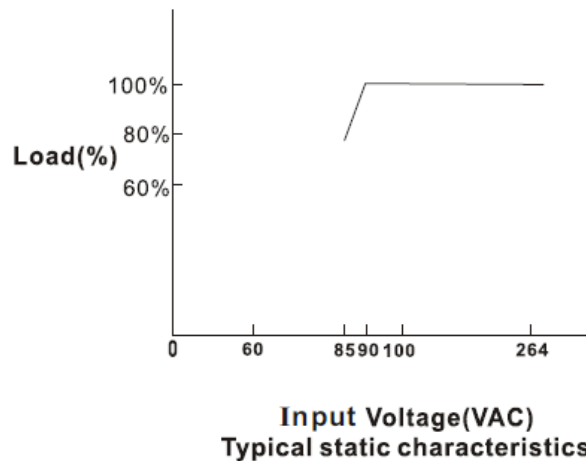
Constant Current Curve



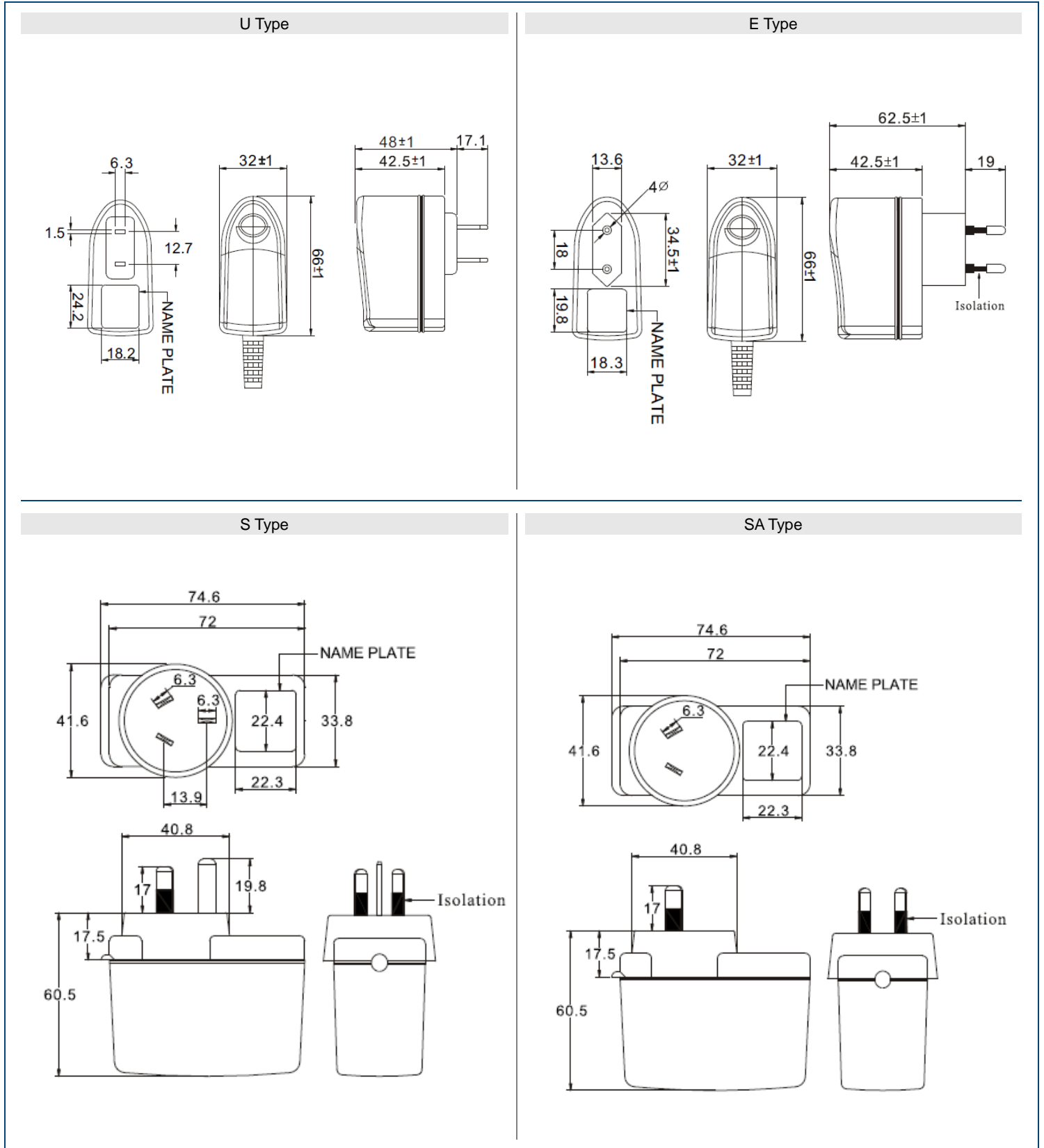
Ambient Temperature Derating



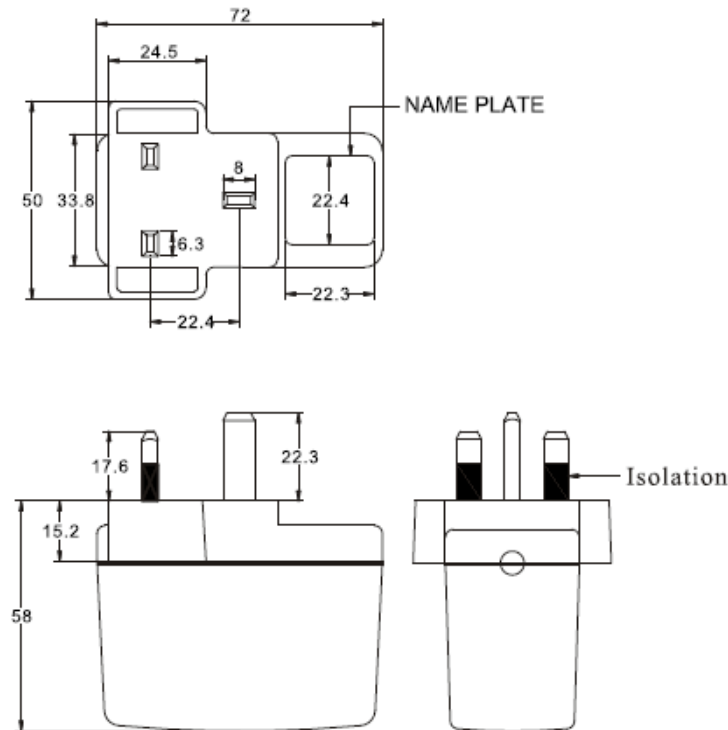
Typical Static Characteristics



MECHANICAL DRAWINGS



BS Type



COMPANY INFORMATION

Wall Industries, Inc. has created custom and modified units for over 50 years. Our in-house research and development engineers will provide a solution that exceeds your performance requirements on-time and on budget. Our ISO9001-2008 certification is just one example of our commitment to producing a high quality, well-documented product for our customers.

Our past projects demonstrate our commitment to you, our customer. Wall Industries, Inc. has a reputation for working closely with its customers to ensure each solution meets or exceeds form, fit and function requirements. We will continue to provide ongoing support for your project above and beyond the design and production phases. Give us a call today to discuss your future projects.

Contact **Wall Industries** for further information:

Phone: ☎(603)778-2300  
Toll Free: ☎(888)597-9255  
Fax: ☎(603)778-9797  
E-mail: [sales@wallindustries.com](mailto:sales@wallindustries.com)  
Web: [www.wallindustries.com](http://www.wallindustries.com)  
Address: 37 Industrial Drive  
Exeter, NH 03833