

U Type: US Plug

E Type: EU Plug

SA Type: 2-Pin AUS Type

BS Type: UK Plug

CH Type: China Plug



Size: 3.68in x 1.38in x 2.03in

Size: 3.68in x 1.38in x 2.02in

Size: 3.68in x 1.38in x 2.36in

Size: 3.68in x 1.38in x 2.03in

Size: 3.68in x 1.38in x 2.03in



OPTIONS

- Plug type
- Output Connectors
- Output Voltage

FEATURES

- Universal Input Voltage Range of 100~240VAC
- Meets EISA 2007/DoE (VI) & EU ErP/CoC (5) For 9~58VDC
- Single Outputs
- Optional Output Connectors Available
- Short Circuit, Over Voltage, and Over Current Protection
- 5 Plug Types Available: US Plug, EU Plug, 2-Pin Aus Plug, UK Plug, and China Plug
- UL60950-1, CSA C22.2, EN60950-1, IEC60950-1, and J60950 Safety Approvals
- High Efficiency

DESCRIPTION

The WMGPSU60 series of AC DC wall mount power supplies provides up to 60 watts of output power in a compact package. This series consists of single output models with output voltages ranging from 5V~48V and universal input voltage of 100-240VAC. There are five different plugs available for this series: US plug, EU plug, 2-pin AUS plug, UK plug, and China plug. Optional output connectors are also available. Each model in this series has short circuit, over voltage, and over current protection and has UL60950-1, CSA C22.2, EN60950-1, IEC60950-1, and J60950 safety approvals. Please call factory for order details.

MODEL SELECTION TABLE

Model Number ⁽¹⁾	Input Voltage Range	Output Voltage Range	Measured at Output	Output Current	Ripple & Noise	Output Power	No Load Power Consumption	Efficiency ⁽²⁾	
								DoE (VI)	CoC (5)
WMGPSU60x-1	100~240VAC	5~6VDC	5VDC	6.00~5.00A	100mV	30W	<0.075	85.07%	-
WMGPSU60x-1-1		6~8VDC	7.5VDC	6.00~5.63A	100mV	45.04W	<0.075	87.76%	-
WMGPSU60x-2		8~11VDC	9VDC	6.00~5.00A	100mV	55W	<0.15	88%	89%
WMGPSU60x-3		11~13VDC	12VDC	5.45~4.62A	100mV	60.06W	<0.15	88%	89%
WMGPSU60x-4		13~16VDC	15VDC	4.62~3.75A	150mV	60.06W	<0.15	88%	89%
WMGPSU60x-5		16~21VDC	19VDC	3.75~2.86A	150mV	60.06W	<0.15	88%	89%
WMGPSU60x-6		21~27VDC	24VDC	2.86~2.23A	150mV	60.21W	<0.15	88%	89%
WMGPSU60x-7		27~33VDC	30VDC	2.23~1.82A	250mV	60.21W	<0.15	88%	89%
WMGPSU60x-8	33~58VDC	48VDC	1.82~1.04	250mV	60.32W	<0.15	88%	89%	

SPECIFICATIONS

All specifications are based on 25°C, Nominal Input Voltage, and Maximum Output Current unless otherwise noted.
We reserve the right to change specifications based on technological advances.

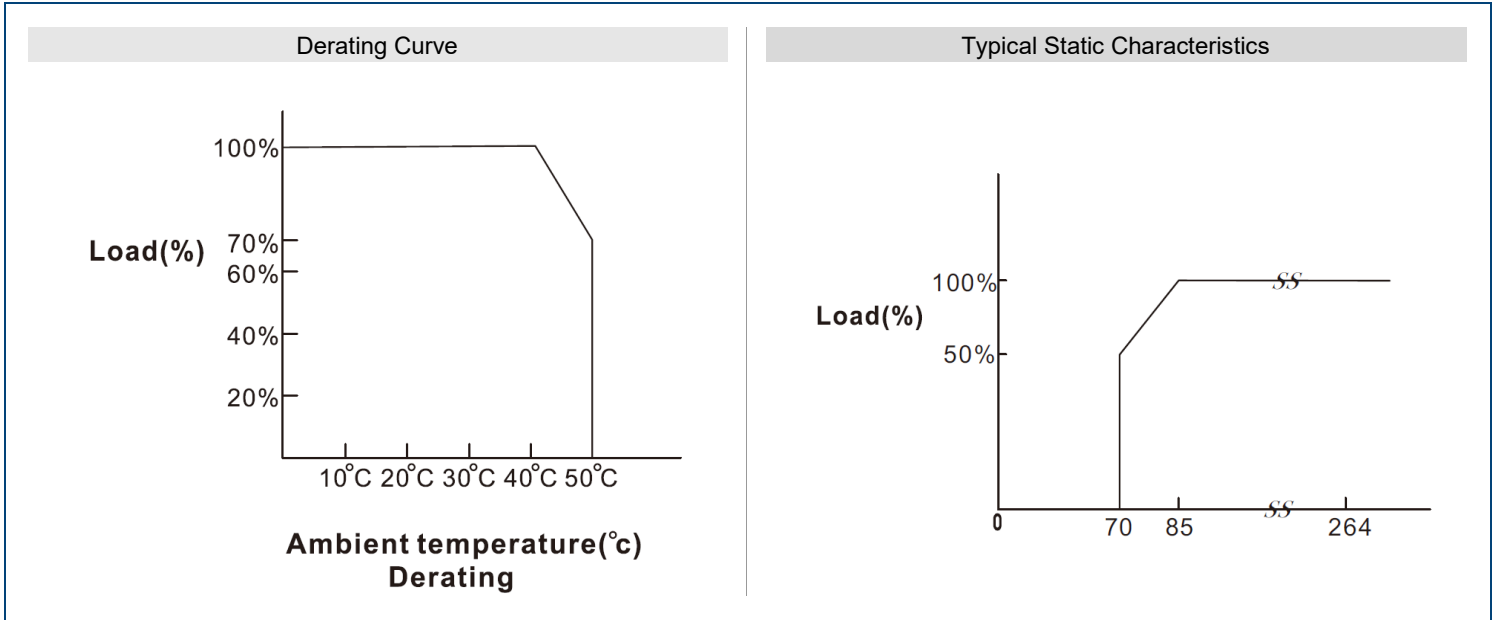
SPECIFICATION	TEST CONDITIONS	Min	Typ	Max	Unit
INPUT SPECIFICATIONS					
Input Voltage Range		100		240	VAC
Input Frequency		50		60	Hz
Input Current				1.5	A
Leakage Current	@240VAC/50Hz			0.25	mA
Inrush Current	@230VAC at 25°C, cold start		100		A
OUTPUT SPECIFICATIONS					
Output Voltage				See Table	
Line Regulation	For any input voltage change between input voltage range			±1	%
Load Regulation	Variations from minimum to maximum output current		±5		%
Output Power				See Table	
Output Current				See Table	
Ripple & Noise				See Table	
Transient Response	Maximum excursion of 4% or better on all models. Recovering to 1% of final value within 500µS after a 25% step load change				
Set-Up Time	@Full Load		1000		mS
Hold Up Time	@Full Load		10		mS
Rise Time	@Full Load		50		mS
Temperature Coefficient	All outputs			±0.04	%/°C
PROTECTION					
Short Circuit Protection	Hiccup Mode			Automatic Recovery	
Over Current Protection	Hiccup Mode Rated Output Current	110			%
Over Voltage Protection	Protected by Zener Diode Rated Output Voltage	110		140	%
ENVIRONMENTAL SPECIFICATIONS					
Operating Temperature	See derating curve	0		+40	°C
Storage Temperature		-40		+85	°C
Relative Humidity	Non-Condensing	5		95	%
Derating	Derate from 100% at +40°C linearly to 70% at 50°C				
MTBF	@Full Load @25°C ambient temperature	100,000			hours
GENERAL SPECIFICATIONS					
Efficiency				See Table	
Insulation Resistance	From Input to Output	50			MΩ
Withstand Voltage	From Input to Output		4242		VDC
PHYSICAL SPECIFICATIONS					
Weight				7.05~8.82oz (200~250g)	
Dimensions (L x W x H)	U Type, BS Type, and CH Type			3.68in x 1.38in x 2.03in (93.5mm x 35mm x 51.5mm)	
	E Type			3.68in x 1.38in x 2.02in (93.5mm x 35mm x 51.4mm)	
	SA Type			3.68in x 1.38in x 2.36in (93.5mm x 35mm x 60mm)	
SAFETY & EMC CHARACTERISTICS					
Safety Approvals		UL60950-1 ⁽⁶⁾ , CSA C22.2 EN60950-1 IEC60950-1 J60950			
EMC		CE: Emission: EN55022; EN61000-3-2,3 Immunity: IEC61000-4-2,3,4,5,6,11 FCC 47 CFR Part 15 Subpart B			

NOTES

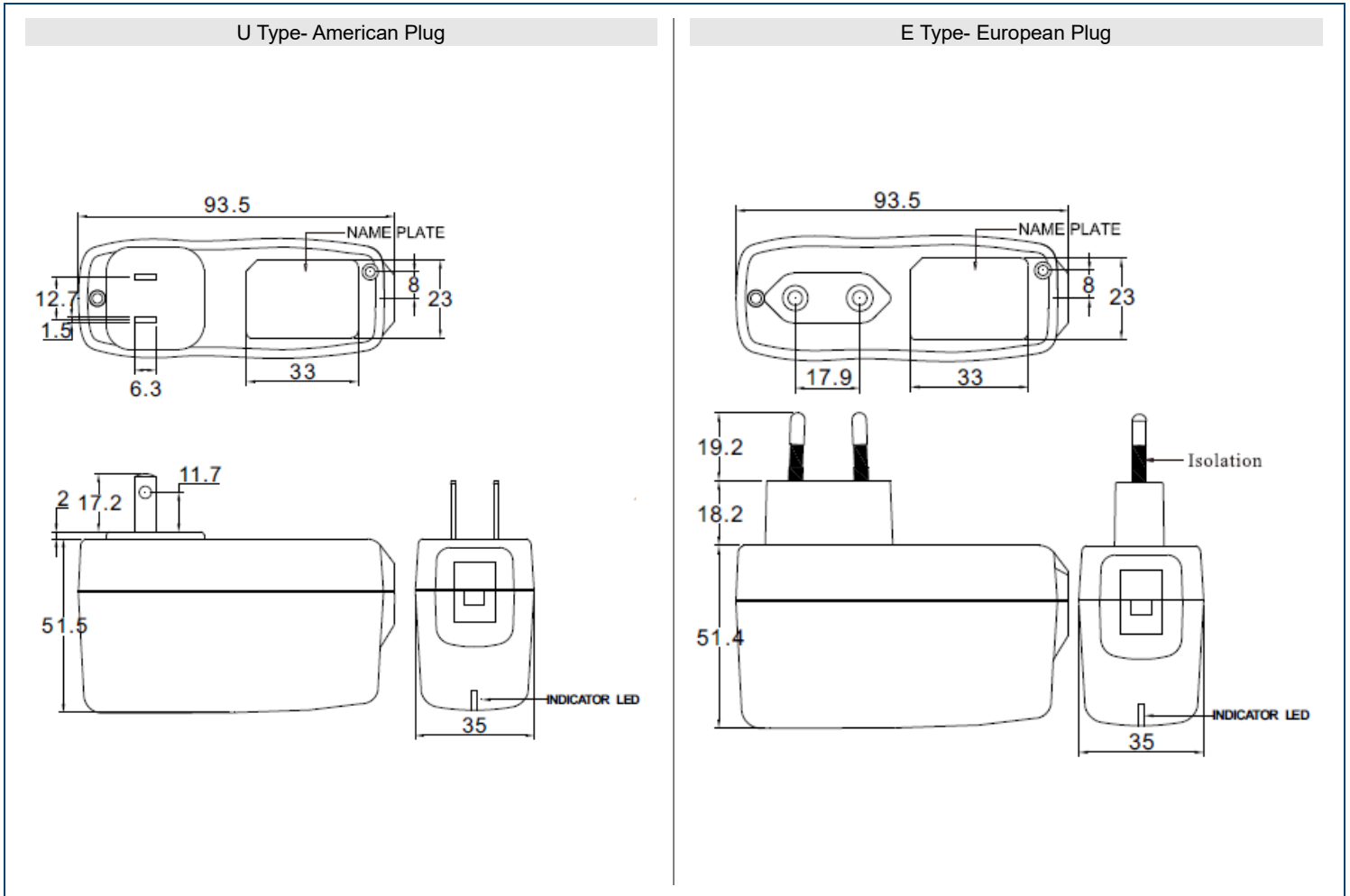
- (1) "x" in model number indicates plug type. "x" can be: "U"= U Type= US Plug, "E"=E Type= EU Plug, "SA"= SA Type= 2-Pin AUS Plug, "BS"= BS Type= UK Plug, or "CH"= CH Type= China Plug.
- (2) Average Efficiency @230VAC, 25, 50, 75, and 100% load.
- (3) Optional output connectors available. Please call factory for details.
- (4) Standard Output Cables:
5~11V: UL1571, 14AWG, 1M
11~13V: UL1571, 16AWG, 1M
13~21V: UL1185, 16AWG, 1M
21~48V: UL1185, 18AWG, 5FT
*WMGPSU60x-7 Output cable with ferrite core.
- (5) This product is Listed to applicable standards and requirements by UL.

*Due to advances in technology, specifications subject to change without notice.

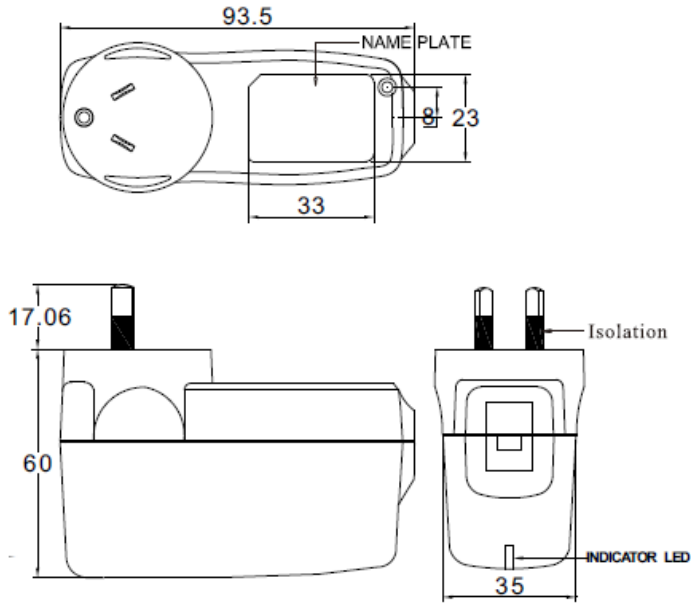
DERATING CURVES



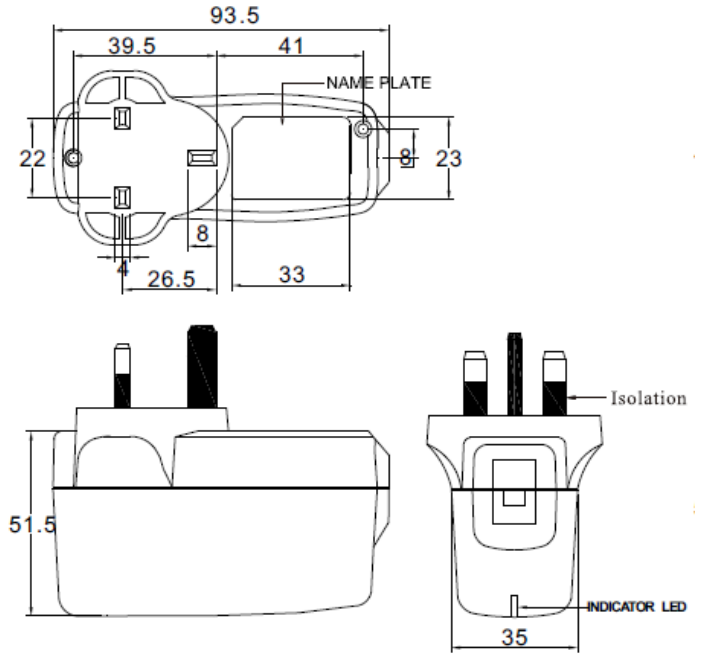
MECHANICAL DRAWINGS



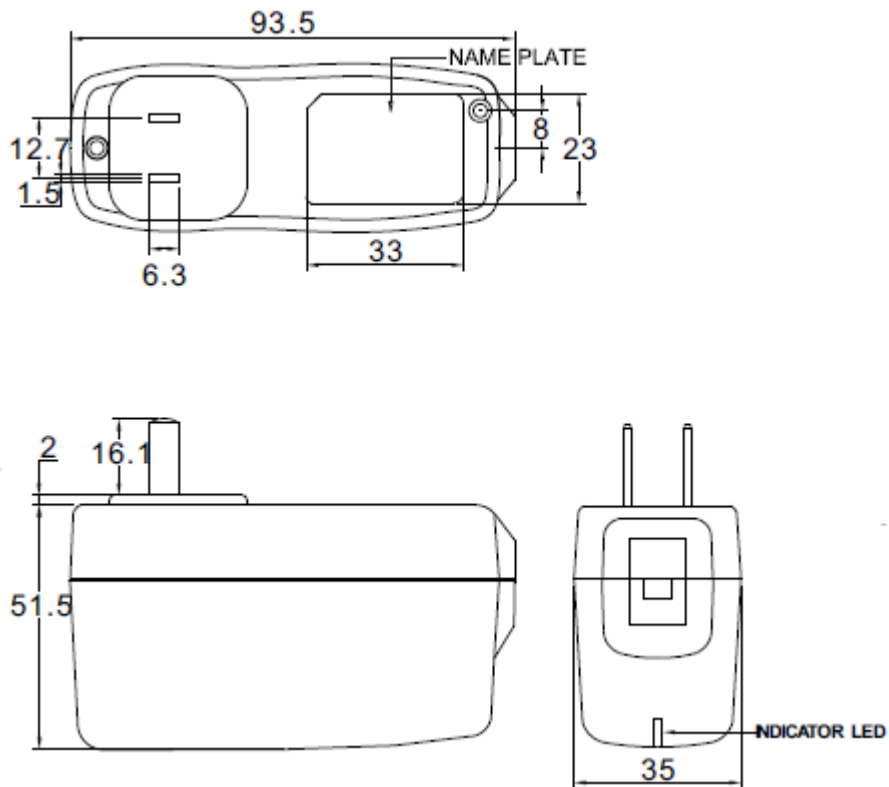
SA Type- 2 Pin AUS Plug



BS Type- UK Plug



CH Type- China Plug



COMPANY INFORMATION

Wall Industries, Inc. has created custom and modified units for over 50 years. Our in-house research and development engineers will provide a solution that exceeds your performance requirements on-time and on budget. Our ISO9001: 2015 certification is just one example of our commitment to producing a high quality, well-documented product for our customers.

Our past projects demonstrate our commitment to you, our customer. Wall Industries, Inc. has a reputation for working closely with its customers to ensure each solution meets or exceeds form, fit and function requirements. We will continue to provide ongoing support for your project above and beyond the design and production phases. Give us a call today to discuss your future projects.

Contact **Wall Industries** for further information:

Phone: ☎ (603)778-2300
Toll Free: ☎ (888)597-9255
Fax: ☎ (603)778-9797
E-mail: sales@wallindustries.com
Web: www.wallindustries.com
Address: 37 Industrial Drive
Exeter, NH 03833

©2019 Wall Industries, Inc. Specifications subject to change without notice. Wall Industries is not responsible for typographical errors. The information contained herein is for informational purposes only. This information is provided by Wall Industries and we make no representations or warranties of any kind, express or implied, about the completeness, accuracy, reliability, suitability or availability with respect to the information contained in this document for any purpose. All product and manufacturer names are trademarks or registered trademarks of their respective companies.