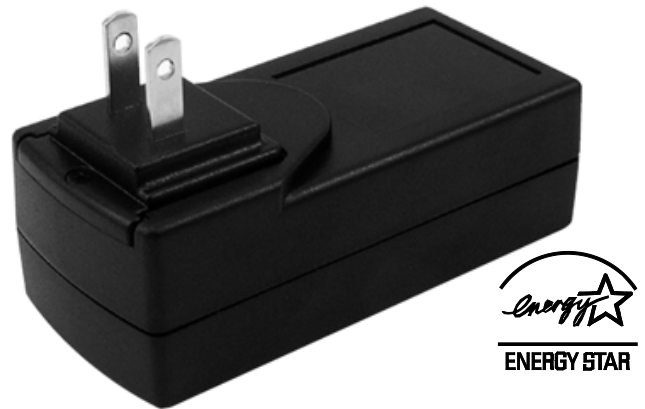


Wall Industries, Inc.

WMEM1036 SERIES

100~240VAC Input Voltage Range
15~36 Watts, Single Outputs
US 2-Pin and US 3-Pin Types
Medical AC/DC Wall Mount Power Supplies



FEATURES

- Single Outputs
- CEC/Energy Star Level V Compliant
- RoHS & WEEE Compliant
- Short Circuit and Over Voltage Protection
- MTBF: > 30,000 Hours
- 100~240VAC Input Voltage Range
- US 2-Pin and US 3-Pin Plug Types
- Dimensions: 3.92" x 1.79" x 1.22"
- UL60601-1 Medical Approvals
- Optional Output Connectors Available

DESCRIPTION

The WMEM1036 series of medical AC/DC desktop power supplies provides up to 36 Watts of continuous output power in a 3.92" x 1.79" x 1.22" package. This series consists of single output models with a wide input voltage range of 100~240VAC. The WMEM1036 series is RoHS, WEEE, and CEC/Energy Star Level V compliant and has UL60601-1 medical approvals. These models are also protected against over voltage and short circuit conditions. US 2-Pin (suffix "U") and US 3-Pin (suffix "5") plug types are available. Please call factory for ordering details.

SPECIFICATIONS: WMEM1036 SERIES					
All specifications are based on 25°C, Nominal Input Voltage, and Maximum Output Current unless otherwise noted. We reserve the right to change specifications based on technological advances.					
SPECIFICATION	TEST CONDITIONS	Min	Typ	Max	Unit
INPUT SPECIFICATIONS					
Input Voltage Range		100		240	VAC
Input Frequency		50		60	Hz
Input Current				1.0	A
Inrush Current				60	A
OUTPUT SPECIFICATIONS					
Output Voltage (<i>See Note 2</i>)		See Table			
Line Regulation	defined by changing $\pm 10\%$ of input voltage from nominal line and rated load.	-1		+1	%
Load Regulation		-5		+5	%
Output Current		See Table			
Minimum Load		0			A
Output Power		See Table			
Ripple & Noise	Measured at nominal line and full load with 20MHz limited bandwidth and 0.1 μ F ceramic and 47 μ F aluminum capacitors in parallel across the output.		240		mVp-p
Hold-up Time		8.3			ms
Turn-on Time				3	s
PROTECTION					
Over Voltage Protection		Automatic recovery			
Short Circuit Protection		Automatic recovery			
GENERAL SPECIFICATIONS					
Efficiency (typical)			82		%
ENVIRONMENTAL SPECIFICATIONS					
Operating Temperature		0		50	°C
Storage Temperature		-20		85	°C
Storage Humidity		5		95	%
MTBF		30,000			hours
PHYSICAL SPECIFICATIONS					
Dimensions (L x W x H)		3.92 x 1.79 x 1.22 inches (99.5 x 45.5 x 31 mm)			
AC Plug		US 2-Pin and US 3-Pin			
Weight		7.76oz (220g)			
SAFETY & EMC					
Safety Standards		UL60601-1 ⁽⁵⁾			
Compliance		RoHS, WEEE, CEC/Energy Star Level V			

MODEL SELECTION TABLE

Model Number ⁽¹⁾	Input Voltage Range	Output Voltage ⁽²⁾	Output Current		Maximum Output Power	AC Plug Type
			Min	Max		
WMEM1036A U	100 ~ 240 VAC	9 ~ 15 VDC	0A	3A	36W	US 2-Pin
WMEM1036B U		9 ~ 15 VDC	0A	2.5A	30W	
WMEM1036C U		9 ~ 15 VDC	0A	2A	24W	
WMEM1036D U		9 ~ 15 VDC	0A	1.5A	18W	
WMEM1036E U		9 ~ 15 VDC	0A	1A	15W	
WMEM1036A 5	100 ~ 240 VAC	9 ~ 15 VDC	0A	3A	36W	US 3-Pin
WMEM1036B 5		9 ~ 15 VDC	0A	2.5A	30W	
WMEM1036C 5		9 ~ 15 VDC	0A	2A	24W	
WMEM1036D 5		9 ~ 15 VDC	0A	1.5A	18W	
WMEM1036E 5		9 ~ 15 VDC	0A	1A	15W	

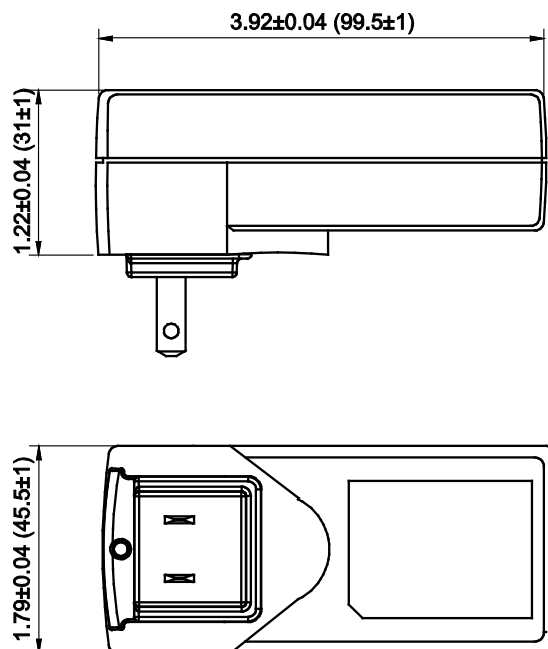
NOTES

1. The red suffix represents the type of AC plug: “**U**” for US 2-pin type and “**5**” for US 3-pin type.
2. The output voltage is specified as a range (Ex: 9~15VDC); the customer must specify what they want the voltage set at.
3. Ripple and Noise is measured at nominal line and full load with 20MHz limited bandwidth and a 0.1μF ceramic and 47μF aluminum capacitors in parallel on the output.
4. Optional output connectors are available. Please call factory for ordering details.
5. This product is Listed to applicable standards and requirements by UL.
**Due to advances in technology, specifications subject to change without notice.*

MECHANICAL DRAWING

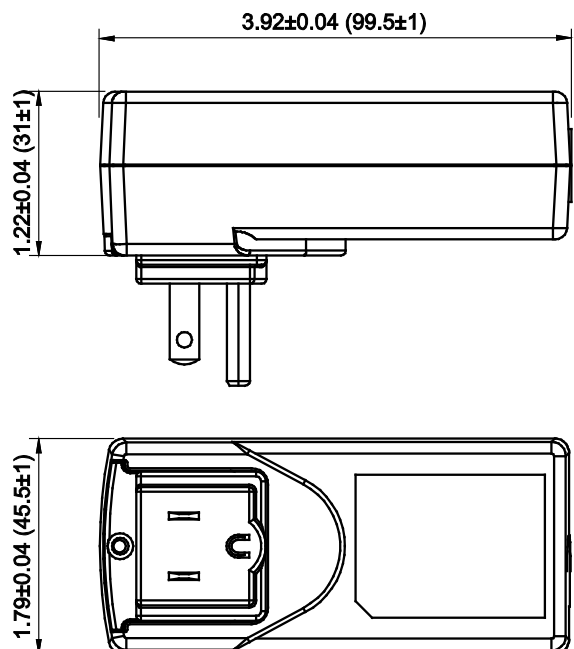
US 2-Pin Plug Type (Suffix “U”)

Unit: inches (mm)



US 3-Pin Plug Type (Suffix “5”)

Unit: inches (mm)





Wall Industries, Inc.

Rev. B

WMEM1036 Series
US 2-Pin & US 3-Pin Types
15~36 Watts, Single Outputs
Medical AC/DC Wall Mount Power Supplies

COMPANY INFORMATION

Wall Industries, Inc. has created custom and modified units for over 50 years. Our in-house research and development engineers will provide a solution that exceeds your performance requirements on-time and on budget. Our ISO9001: 2015 certification is just one example of our commitment to producing a high quality, well-documented product for our customers.

Our past projects demonstrate our commitment to you, our customer. Wall Industries, Inc. has a reputation for working closely with its customers to ensure each solution meets or exceeds form, fit and function requirements. We will continue to provide ongoing support for your project above and beyond the design and production phases. Give us a call today to discuss your future projects.

Contact **Wall Industries** for further information:

Phone: ☎ (603)778-2300
Toll Free: ☎ (888)597-9255
Fax: ☎ (603)778-9797
E-mail: sales@wallindustries.com
Web: www.wallindustries.com
Address: 37 Industrial Drive
Exeter, NH 03833

©2019 Wall Industries, Inc. Specifications subject to change without notice. Wall Industries is not responsible for typographical errors. The information contained herein is for informational purposes only. This information is provided by Wall Industries and we make no representations or warranties of any kind, express or implied, about the completeness, accuracy, reliability, suitability or availability with respect to the information contained in this document for any purpose. All product and manufacturer names are trademarks or registered trademarks of their respective companies.