

Wall Industries, Inc.

---

## PSSCT SERIES

---

100~264VAC Input  
Triple Output  
60W, Open Frame  
AC/DC Switching Power Supplies

---



PSSCT601 Model



All Other Models

---

### FEATURES

- Open Frame
- Triple Output
- Remote Sense
- RoHS Compliant
- Dimensions: 3" x 5"
- MTBF > 80,000 Hours
- 60W Maximum Output Power
- 100~264VAC Input Voltage Range
- Over Voltage and Over Load Protection
- UL60950 and TUV EN60950 Safety Approvals

---

### DESCRIPTION

The PSSCT series of AC/DC switching power supplies offers 60 watts of output power in an open frame constructed design. All models have triple outputs and a 100~264VAC input voltage range. These supplies also have UL60950, TUV EN60950, and CE safety approvals. All models are RoHS compliant and have over load and over voltage protection.

**SPECIFICATIONS: PSSCT Series**

All specifications are based on 25°C, Nominal Input Voltage, and Maximum Output Current unless otherwise noted.  
We reserve the right to change specifications based on technological advances.

**INPUT SPECIFICATIONS**

Input Voltage Range	100 ~ 264VAC
Input Frequency	47 ~ 63Hz
Input Current	2A max. (rms) at 115VAC
Inrush Current	< 50A peak at 230VAC cold start and 25°C

**OUTPUT SPECIFICATIONS**

Output Current	See Table
Output Voltage	See Table
Output Regulation	See Table
Output Power	60W max.
Ripple & Noise (20MHz BW) (See Note 1)	See Table
Hold Up Time	> 10ms at full load and 115VAC nominal line
Remote Sense	yes

**PROTECTION**

Over Load Protection	Over load protected 160% max.
Over Voltage Protection	110%~130% (on +5VDC output only)

**GENERAL SPECIFICATIONS**

Efficiency	65% typical at full load
------------	--------------------------

**ENVIRONMENTAL SPECIFICATIONS**

Operating Temperature	0°C to +40°C
Storage Temperature	-10°C to +70°C
Humidity	20% to 90% non-condensing
Cooling	Free air convection
MTBF	>80,000 hours at full load and 25°C ambient temperature

**PHYSICAL SPECIFICATIONS**

Dimensions (L x W x H)	PSSCT601 Model: 5.0 x 3.0 x 1.57 inches (127 x 76.5 x 40 mm) All Other Models: 5.0 x 3.0 x 1.77 inches (127 x 76.5 x 45 mm)
------------------------	--

**SAFETY & EMI**

Safety Standards	UL 60950 <sup>(4)</sup> , CSA C22.2-No.60950, TUV EN60950
EMC Standards	CISPR22 Class B, EN55022 Class B, CE

**MODEL SELECTION TABLE**

Model Number	Input Voltage	Output Voltage	Output Current		Output Regulation	Ripple & Noise	Output Power
			Min Load	Max Load			
PSSCT601	100 ~ 264 VAC	+3.3 VDC	0.7A	7A	5%	50mVp-p	60W
		+5 VDC	0.3A	3A	5%	50mVp-p	
		+12 VDC	0.1A	2A	8%	120mVp-p	
PSSCT62	100 ~ 264 VAC	+5 VDC	0.7A	7A	5%	50mVp-p	60W
		+12 VDC	0.3A	3A	8%	120mVp-p	
		-12 VDC	0.1A	0.7A	10%	120mVp-p	
PSSCT63	100 ~ 264 VAC	+5 VDC	0.7A	7A	5%	50mVp-p	60W
		+15 VDC	0.3A	2.8A	8%	150mVp-p	
		-15 VDC	0.1A	0.7A	10%	150mVp-p	
PSSCT64	100 ~ 264 VAC	+5 VDC	0.7A	7A	5%	50mVp-p	60W
		+12 VDC	0.3A	3A	8%	120mVp-p	
		-5 VDC	0.1A	0.7A	10%	50mVp-p	
PSSCT65	100 ~ 264 VAC	+5 VDC	0.7A	7A	5%	50mVp-p	60W
		+24 VDC	0.1A	1.5A	8%	240mVp-p	
		+12 VDC	0.1A	0.7A	10%	120mVp-p	
PSSCT66	100 ~ 264 VAC	+5 VDC	0.7A	7A	5%	50mVp-p	60W
		+24 VDC	0.1A	1.5A	8%	240mVp-p	
		-12 VDC	0.1A	0.7A	10%	120mVp-p	
PSSCT67	100 ~ 264 VAC	+5 VDC	0.7A	7A	5%	50mVp-p	60W
		+24 VDC	0.1A	1.5A	8%	240mVp-p	
		-5 VDC	0.1A	0.7A	10%	50mVp-p	

**NOTES**

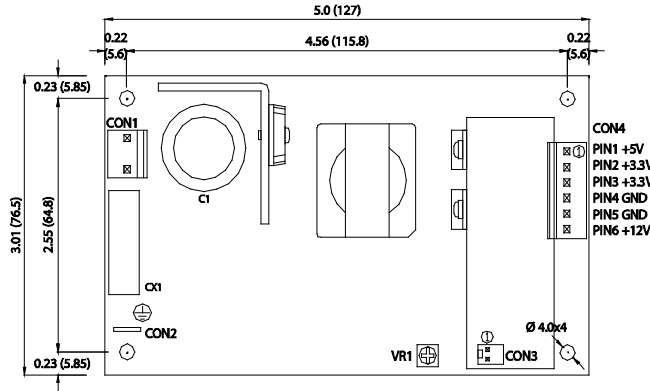
- Ripple & Noise is measured at 20MHz bandwidth with a tantalum 10µF in parallel with a 0.1µF ceramic capacitor.
- The total output power on all the outputs should not exceed 60W.
- Minimum loads are required for these power supplies.
- This product is Listed to applicable standards and requirements by UL.

\*Due to advances in technology, specifications subject to change without notice.

MECHANICAL DRAWINGS

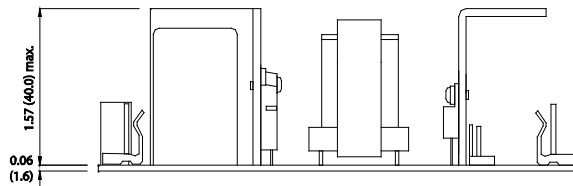
PSSCT601 MODEL

Unit: Inches (mm)



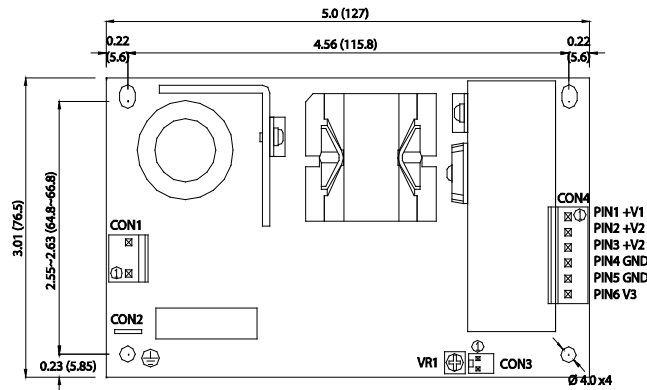
PSSCT601 PIN ASSIGNMENTS:

CON1	PIN1	AC INPUT -N
	PIN2	N.C
CON2	PIN2	AC INPUT -L
		GND
CON3	PIN1	+5V +SENSE
	PIN2	+5V -SENSE
CON4		DC OUTPUT



ALL OTHER MODELS

Unit: inches (mm)

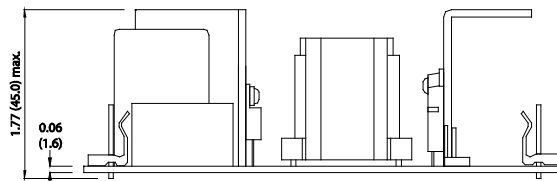


ALL OTHER MODELS PIN ASSIGNMENTS:

CON1	PIN1	AC INPUT -L
	PIN2	N.C
	PIN3	AC INPUT -N
CON2		GND
CON3	PIN1	+5V +SENSE
	PIN2	+5V -SENSE
CON4		DC OUTPUT

CON.4 DC OUTPUT PIN ASSIGNMENTS:

MODEL NO.	PIN 1	PIN 2,3	PIN 6
	+V1	+V2	V3
PSSCT62	+12V	+5V	-12V
PSSCT63	+12V	+5V	-12V
PSSCT64	+12V	+5V	-5V
PSSCT65	+15V	+5V	-15V
PSSCT66	+24V	+5V	-12V
PSSCT67	+24V	+5V	+12V



MATCHING CONNECTORS

AC INPUT CON 1 = MOLEX P/N: 09-65-2029 (OR EQUIVALENT) FEMALE HOUSING MOLEX P/N: 09-76-1020 (OR EQUIVALENT)  
 DC OUTPUT CON 4 = MOLEX P/N: 09-65-2068 (OR EQUIVALENT) FEMALE HOUSING MOLEX P/N: 09-52-4064 (OR EQUIVALENT)  
 REMOTE SENSE CON 3 = MOLEX P/N: 22-27-2021 (OR EQUIVALENT) FEMALE HOUSING MOLEX P/N: 22-01-2025 (OR EQUIVALENT)



## COMPANY INFORMATION

Wall Industries, Inc. has created custom and modified units for over 50 years. Our in-house research and development engineers will provide a solution that exceeds your performance requirements on-time and on budget. Our ISO9001: 2015 certification is just one example of our commitment to producing a high quality, well-documented product for our customers.

Our past projects demonstrate our commitment to you, our customer. Wall Industries, Inc. has a reputation for working closely with its customers to ensure each solution meets or exceeds form, fit and function requirements. We will continue to provide ongoing support for your project above and beyond the design and production phases. Give us a call today to discuss your future projects.

Contact **Wall Industries** for further information:

Phone: ☎ (603)778-2300  
Toll Free: ☎ (888)597-9255  
Fax: ☎ (603)778-9797  
E-mail: [sales@wallindustries.com](mailto:sales@wallindustries.com)  
Web: [www.wallindustries.com](http://www.wallindustries.com)  
Address: 37 Industrial Drive  
Exeter, NH 03833

©2019 Wall Industries, Inc. Specifications subject to change without notice. Wall Industries is not responsible for typographical errors. The information contained herein is for informational purposes only. This information is provided by Wall Industries and we make no representations or warranties of any kind, express or implied, about the completeness, accuracy, reliability, suitability or availability with respect to the information contained in this document for any purpose. All product and manufacturer names are trademarks or registered trademarks of their respective companies.