

## Wall Industries, Inc.

---

### PSHF100W SERIES

---

85~132 / 170~264VAC Input Selectable by Switch  
Up to 108 Watts Output Power  
5, 7.5, 12, 13.8, 15, 24, & 48VDC Single Outputs  
AC/DC Switching Power Supplies

---



---

#### FEATURES

- RoHS Compliant
  - $\pm 10\%$  Voltage Adjustment Range
  - Free Air Convection
  - 85~132/170~264VAC Input Selectable by Switch
  - High Reliability
  - Single Outputs
  - 7.83" x 3.86" x 1.54" Enclosed Case
  - Up to 108 Watts Output Power
  - 100% Full Load Burn-in Tested
  - 105°C Electrolytic Capacitors
  - Short Circuit, Over Current, Over Voltage Protection
  - UL, ETS/LVD/EMC, and CE Approvals
- 

#### DESCRIPTION

The PSHF100W series of AC/DC power supplies offers up to 108W of output power in a 7.83" x 3.86" x 1.54" enclosed case. This series consists of 5, 7.5, 12, 13.8, 15, 24, and 48VDC single output models with an input voltage range of 85~132 / 170~264VAC selectable by switch. These supplies have a  $\pm 10\%$  output adjustment range and are protected against short circuit, over current, and over voltage conditions. This series is RoHS compliant and has UL, ETS/LVD/EMC, and CE approvals.

SPECIFICATIONS: PSHF100W SERIES						
All specifications are based on 25°C, Nominal Input Voltage, and Maximum Output Current unless otherwise noted. We reserve the right to change specifications based on technological advances.						
SPECIFICATION	TEST CONDITIONS		Min	Nom	Max	Unit
<b>INPUT SPECIFICATIONS</b>						
Input Voltage Range	Selected by switch		85~132 / 170~264VAC			
Inrush Current	At 115VAC	Cold start		20		A
	At 230VAC			40		
Input Frequency			47		63	Hz
<b>OUTPUT SPECIFICATIONS</b>						
Output Voltage			See Table			
Output Voltage Adjustment Range			-10		+10	%
Line Regulation	Full load		-0.5		+0.5	%
Load Regulation				0.5		%
Output Current			See Table			
Output Power			See Table			
Ripple & Noise			See Table			
Rise Time	Full load			50		ms
Hold-up Time	Full load			20		ms
<b>PROTECTION</b>						
Over Current Protection			110		130	%
Over Voltage Protection			115		150	%
Short Circuit Protection			Yes			
<b>GENERAL SPECIFICATIONS</b>						
Efficiency			See Table			
Withstand Voltage	Input to Output	All for 1 minute	3000			VAC
	Input to FG		1500			
	Output to FG		500			
Leakage Current	At 230VAC				0.7	mA
<b>ENVIRONMENTAL SPECIFICATIONS</b>						
Operating Temperature			-10		+50	°C
Operating Humidity	non-condensing		20		93	% RH
Storage Temperature			-20		+85	°C
Storage Humidity	non-condensing		20		95	% RH
Cooling Method			Free air convection			
<b>PHYSICAL SPECIFICATIONS</b>						
Weight			1.4 lbs (650g)			
Dimensions (L x W x H)			7.83 x 3.86 x 1.54 inches (199 x 98 x 39 mm)			
<b>SAFETY &amp; EMC CHARACTERISTICS</b>						
Safety Standards			UL60950 <sup>(1)</sup> , EN60950, GB4943			
EMC Standards			GB9254, EN55022 Class B, EN55024, EN61000-3-2,3, EN61000-4-2,3,4,5,6,8,11			

**NOTES**

1. This product is Listed to applicable standards and requirements by UL.

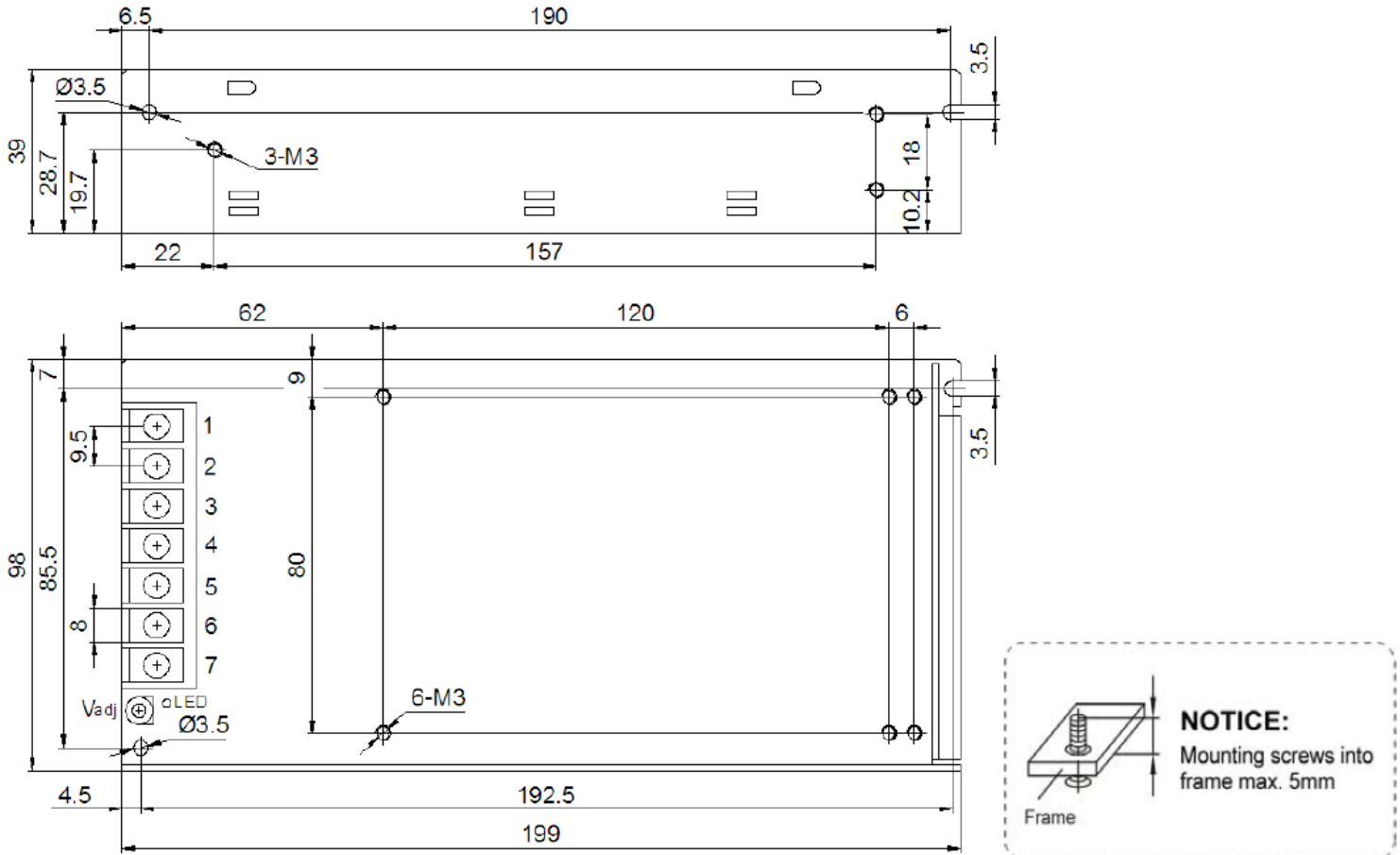
*\*Due to advances in technology, specifications subject to change without notice.*

**MODEL SELECTION TABLE**

Model Number	Input Voltage Range	Output Voltage	Output Current	Ripple & Noise	Output Power	Efficiency
PSHF100W-SF-5	85~132 / 170~264 VAC (selectable by switch)	5 VDC	20.0A	100mVp-p	100W	77%
PSHF100W-SF-7.5		7.5 VDC	13.5 A	100mVp-p	101W	78%
PSHF100W-SF-12		12 VDC	8.5A	100mVp-p	102W	82%
PSHF100W-SF-13.8		13.8 VDC	7.5 A	100mVp-p	103.5W	82%
PSHF100W-SF-15		15 VDC	6.7A	100mVp-p	100.5W	82%
PSHF100W-SF-24		24 VDC	4.5A	100mVp-p	108W	82%
PSHF100W-SF-48		48 VDC	2.2A	150mVp-p	105.6W	82%

**MECHANICAL DRAWING**

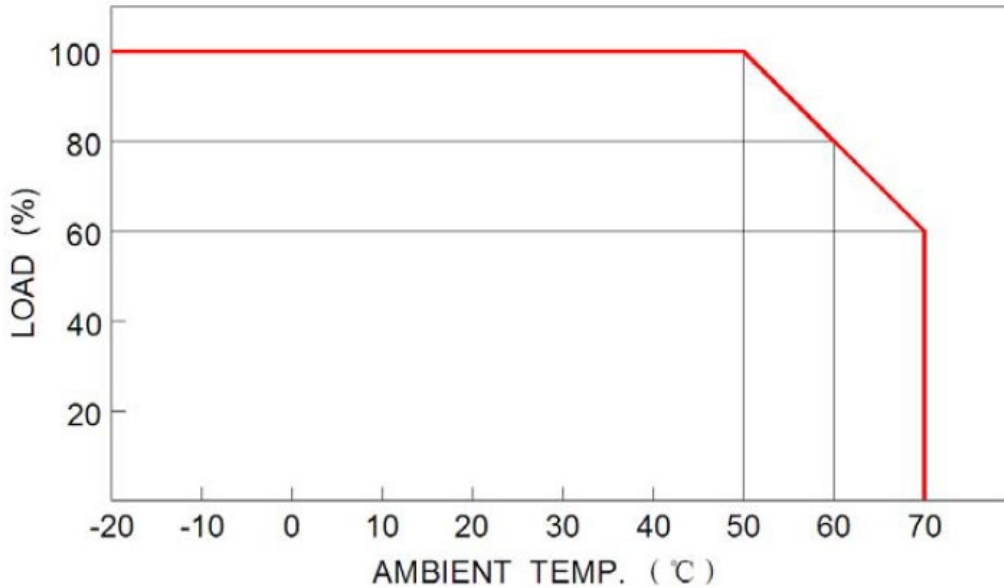
Unit: inches [mm]



**Terminal Pin No. Assignment**

Pin No.	Assignment	Pin No.	Assignment
1	AC/L	4,5	DC OUTPUT -V
2	AC/N	6,7	DC OUTPUT +V
3	PE		

## DERATING CURVE



## COMPANY INFORMATION

Wall Industries, Inc. has created custom and modified units for over 50 years. Our in-house research and development engineers will provide a solution that exceeds your performance requirements on-time and on budget. Our ISO9001: 2015 certification is just one example of our commitment to producing a high quality, well-documented product for our customers.

Our past projects demonstrate our commitment to you, our customer. Wall Industries, Inc. has a reputation for working closely with its customers to ensure each solution meets or exceeds form, fit and function requirements. We will continue to provide ongoing support for your project above and beyond the design and production phases. Give us a call today to discuss your future projects.

Contact **Wall Industries** for further information:

Phone: ☎ (603)778-2300  
Toll Free: ☎ (888)597-9255  
Fax: ☎ (603)778-9797  
E-mail: [sales@wallindustries.com](mailto:sales@wallindustries.com)  
Web: [www.wallindustries.com](http://www.wallindustries.com)  
Address: 37 Industrial Drive  
Exeter, NH 03833

©2019 Wall Industries, Inc. Specifications subject to change without notice. Wall Industries is not responsible for typographical errors. The information contained herein is for informational purposes only. This information is provided by Wall Industries and we make no representations or warranties of any kind, express or implied, about the completeness, accuracy, reliability, suitability or availability with respect to the information contained in this document for any purpose. All product and manufacturer names are trademarks or registered trademarks of their respective companies.