

DTBA40W



Size: 3.5in x 1.50in x 1.07 (89mm x 38mm 27.1mm)

**FEATURES**

- Universal Input Range of 90~264VAC
- Output Voltages Ranging from 11.6~27V
- Over Current and Short Circuit Protection
- MTBF ≥ 30,000 Hrs
- AC Inlet: C6
- Level VI and RoHS Compliant
- UL, CB, CCC, PSE, and KC Safety Approvals
- High Efficiency

**DESCRIPTION**

The DTBA40W series of AC/DC desktop power supplies provides 40 watts of continuous output power. The series consists of single output models with output voltages ranging from 11.6~27V with a 90~264VAC input voltage range. Each unit is protected against over current and short circuit conditions and is RoHS and Level VI efficiency compliant. This series meets UL, CB, CCC, PSE, and KC safety approvals.

**MODEL SELECTION TABLE**

Model Number	Input Voltage Range	Output Voltage	Output Current	Ripple & Noise	Output Power	Efficiency
DTBA040116	90~264VAC	11.6V~15.5V	3.45A	120mV	40W	>87.59%
DTBA040155		11.6V~15.5V	3.45A	120mV	40W	>87.59%
DTBA040156		15.6V~20.5V	2.56A	120mV	40W	>87.59%
DTBA040205		15.6V~20.5V	2.56A	120mV	40W	>87.59%
DTBA040206		20.6V~27V	1.94A	120mV	40W	>87.59%
DTBA040270		20.6V~27V	1.94A	120mV	40W	>87.59%

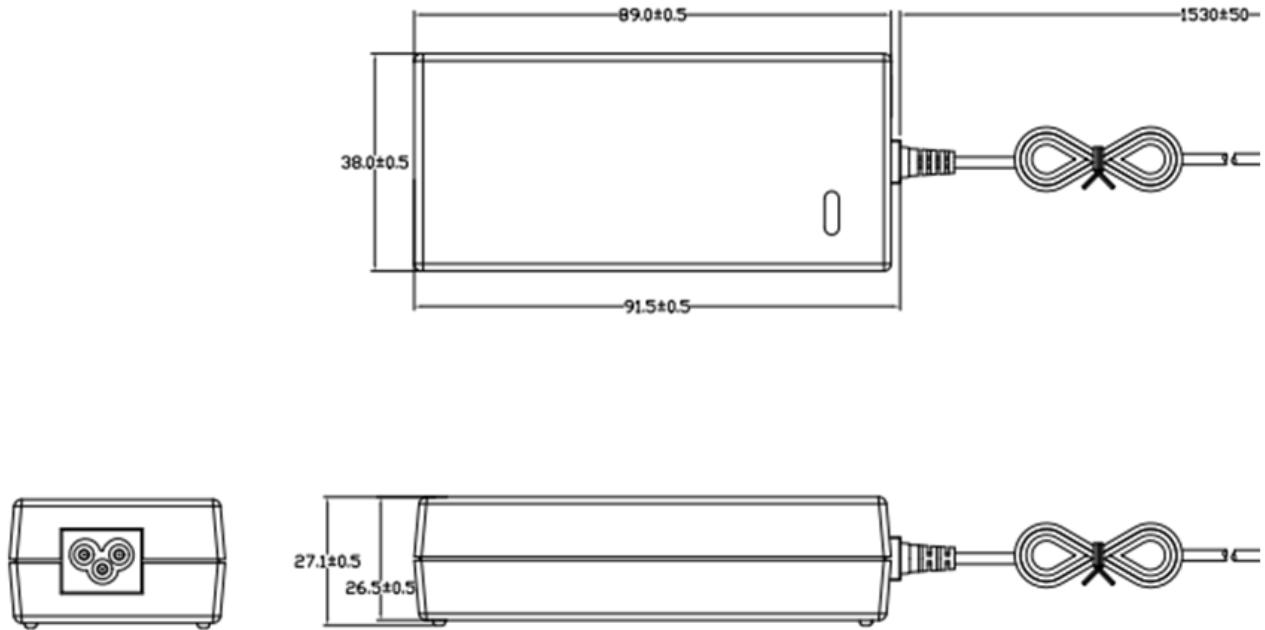
**SPECIFICATIONS**

All specifications are based on 25°C, Nominal Input Voltage, and Maximum Output Current unless otherwise noted. We reserve the right to change specifications based on technological advances.

SPECIFICATION	TEST CONDITIONS	Min	Typ	Max	Unit
<b>INPUT SPECIFICATIONS</b>					
Input Voltage Range		100		240	VDC
Universal Input		90		264	VAC
Input Current				1	A
Input Frequency			50/60		Hz
Inrush Current	@Cold Start		≤120		A
<b>OUTPUT SPECIFICATIONS</b>					
Output Voltage		See Table			
Line Regulation			±1		%
Load Regulation			±5		%
Output Power		See Table			
Output Current		See Table			
Ripple & Noise (20MHz bandwidth)			120		mV
<b>PROTECTION</b>					
Short Circuit Protection		Automatic Recovery			
Over Current Protection		Automatic Recovery			
<b>ENVIRONMENTAL SPECIFICATIONS</b>					
Operating Temperature		0		40	°C
Storage Temperature		-20		85	°C
MTBF			≥30,000		Hrs
<b>GENERAL SPECIFICATIONS</b>					
Efficiency			>87.59%		
<b>PHYSICAL SPECIFICATIONS</b>					
Weight		4.94 oz (140g)			
Dimensions (L x W x H)		3.5in x 1.50in x 1.07in (89mm x 38mm x 27.1mm)			
<b>SAFETY &amp; EMC CHARACTERISTICS</b>					
Safety Approvals		UL, CB, CCC, PSE, KC			
EMC		EN55022, FCC15B			

MECHANICAL DRAWINGS

Mechanical Drawing



COMPANY INFORMATION

Wall Industries, Inc. has created custom and modified units for over 50 years. Our in-house research and development engineers will provide a solution that exceeds your performance requirements on-time and on budget. Our ISO9001-2008 certification is just one example of our commitment to producing a high quality, well-documented product for our customers.

Our past projects demonstrate our commitment to you, our customer. Wall Industries, Inc. has a reputation for working closely with its customers to ensure each solution meets or exceeds form, fit and function requirements. We will continue to provide ongoing support for your project above and beyond the design and production phases. Give us a call today to discuss your future projects.

Contact **Wall Industries** for further information:

Phone: ☎ (603)778-2300  
Toll Free: ☎ (888)597-9255  
Fax: ☎ (603)778-9797  
E-mail: [sales@wallindustries.com](mailto:sales@wallindustries.com)  
Web: [www.wallindustries.com](http://www.wallindustries.com)  
Address: 37 Industrial Drive  
Exeter, NH 03833