

DTBA018: Case 1



Size: 3.14in x 1.81in x 1.13in (80mm x 46mm x 28.8mm)

DTBA018:Case 2



Size: 2.76in x 1.71in x 1.81in (70mm x 43.5mm x 30mm)

OPTIONS

- Output Voltage
- Case Type
- AC Inlet

FEATURES

- RoHS Compliant
- MTBF ≥30,000
- DoE/ErP, Level VI Efficiency Compliant
- Over Current and Short Circuit Protection
- AC Inlet C14 or C6
- Class II
- IEC/EN60950-1, UL/cUL60950-1, BSMI, CCC, KC, PSE, and SAA Safety Approvals.

DESCRIPTION

The DTBA018 series of AC/DC desktop power supplies provides 18 watts of continuous output power. The series consists of single output models ranging from 5V~56V and a 100~240VAC input voltage range. All units are RoHS and Level VI Efficiency compliant and have short circuit and over current protection. Units also meet IEC/EN60950-1, BSMI, CCC, KC, PSE, and SAA safety approvals. The DTBA018 series has two types of cases available (Type 1 and Type 2) and either C14 or C6 AC inlet available. Please call factory for order details.

MODEL SELECTION TABLE

Model Number ⁽¹⁾	Input Voltage Range	Output Voltage	Output Current (Max)	Ripple & Noise	Output Power	Efficiency	
DTBA018005Ax	100~240VAC	5V~8.9V	3.0A	150mV	18W	81.3%	
DTBA018089Ax		5V~8.9V	3.0A		18W	81.3%	
DTBA018009Ax		9V~11.9V	2A		18W	>87.3%	
DTBA018119Ax		9V~11.9V	2A		18W	>87.3%	
DTBA018012Ax		12V~17.9V	1.5A		18W	>87.3%	
DTBA018179Ax		12V~17.9V	1.5A		18W	>87.3%	
DTBA018018Ax		18V~23.9V	1A	300mV	18W	>87.3%	
DTBA018239Ax		18V~23.9V	1A		18W	>87.3%	
DTBA018024Ax		24V~34.9V	0.75A		18W	>87.3%	
DTBA018349Ax		24V~34.9V	0.75A		18W	>87.3%	
DTBA018035Ax		35V~56V	0.51A		18W	>87.3%	
DTBA018056Ax		35V~56V	0.51A		18W	>87.3%	
DTBA018005Bx		100~240VAC	5V~8.9V	3.0A	150mV	18W	81.3%
DTBA018089Bx			5V~8.9V	3.0A		18W	81.3%
DTBA018009Bx	9V~11.9V		2A	18W		>87.3%	
DTBA018119Bx	9V~11.9V		2A	18W		>87.3%	
DTBA018012Bx	12V~17.9V		1.5A	18W		>87.3%	
DTBA018179Bx	12V~17.9V		1.5A	18W		>87.3%	
DTBA018018Bx	18V~23.9V		1A	300mV	18W	>87.3%	
DTBA018239Bx	18V~23.9V		1A		18W	>87.3%	
DTBA018024Bx	24V~34.9V		0.75A		18W	>87.3%	
DTBA018349Bx	24V~34.9V		0.75A		18W	>87.3%	
DTBA018035Bx	35V~56V		0.51A		18W	>87.3%	
DTBA018056Bx	35V~56V		0.51A		18W	>87.3%	

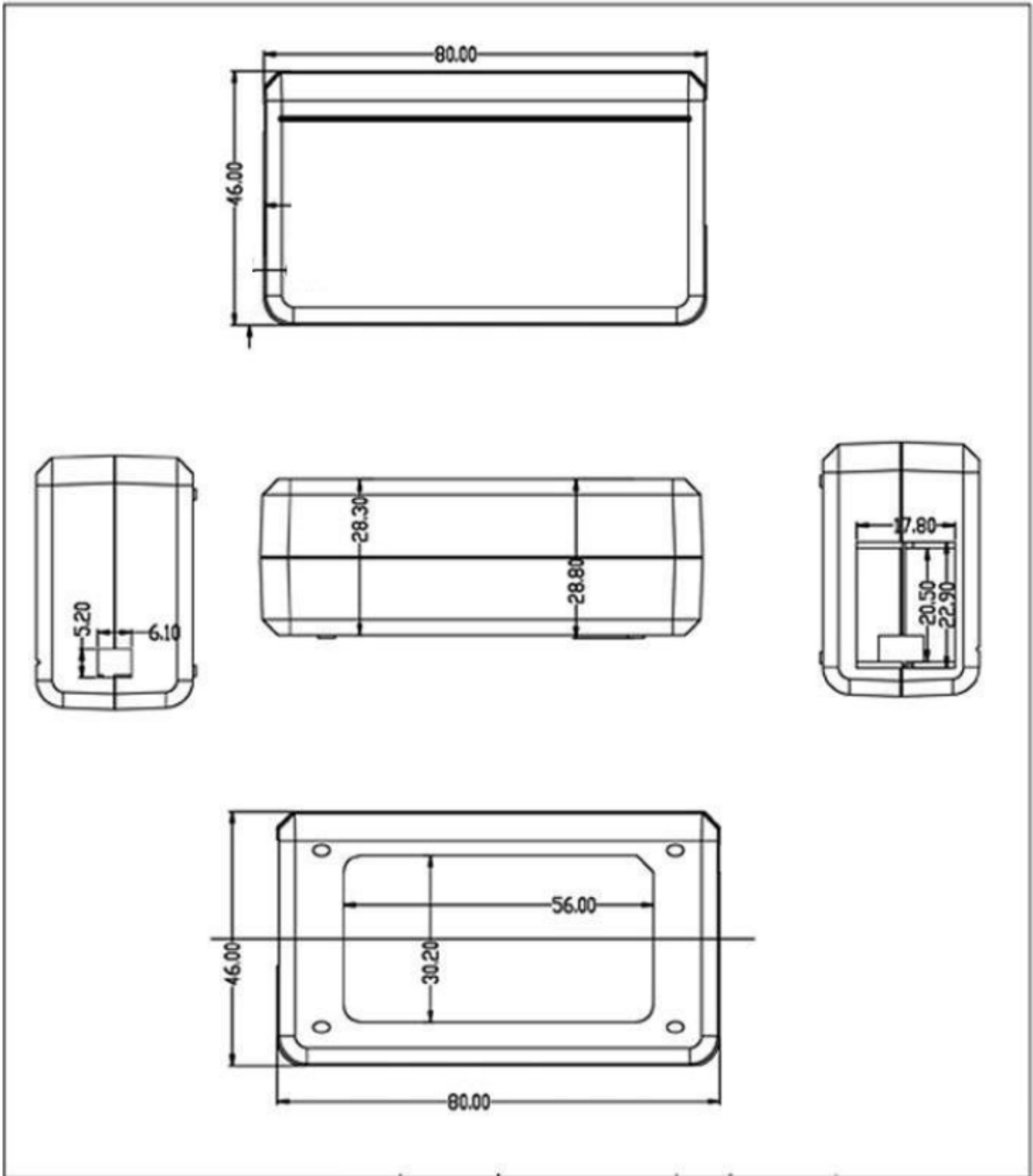
SPECIFICATIONS					
All specifications are based on 25°C, Nominal Input Voltage, and Maximum Output Current unless otherwise noted. We reserve the right to change specifications based on technological advances.					
SPECIFICATION	TEST CONDITIONS	Min	Typ	Max	Unit
INPUT SPECIFICATIONS					
Input Voltage Range		100		240	VDC
Input Frequency			50/60		Hz
Inrush Current	@Cold Start		≤60		A
Input Current				0.5	A
OUTPUT SPECIFICATIONS					
Output Voltage		See Table			
Line Regulation			5		%
Load Regulation			5		%
Output Power		See Table			
Output Current		See Table			
Ripple & Noise (20MHz bandwidth)	DTBA018005~DTBA018089 DTBA018009~DTBA018119 DTBA018012~DTBA018179		150		mV
	DTBA018018~DTBA018239 DTBA018024~DTBA018349 DTBA018035~DTBA018056		300		
PROTECTION					
Short Circuit Protection		Automatic Recovery			
Over Current Protection		Automatic Recovery			
ENVIRONMENTAL SPECIFICATIONS					
Operating Temperature		0		40	°C
Storage Temperature		-20		85	°C
Storage Humidity		5		95	%
MTBF			≥30,000		Hrs
GENERAL SPECIFICATIONS					
Efficiency	DTBA018005~DTBA018089 DTBA018009~DTBA018119 DTBA018012~DTBA018179		81.3		%
	DTBA018018~DTBA018239 DTBA018024~DTBA018349 DTBA018035~DTBA018056		>87.3		%
PHYSICAL SPECIFICATIONS					
Weight		Case 1	3.36 oz (95.3g)		
		Case 2	4.98 oz (141.2g)		
Dimensions (L x W x H)		Case 1	3.41in x 1.81in x 1.13in (80mm x 46mm x 28.8mm)		
		Case 2	2.76in x 1.71in x 1.81in (70mm x 43.5mm 30mm)		
SAFETY & EMC CHARACTERISTICS					
Safety Approvals		IEC/EN60950-1 UL/CUL60950-1 BSMI CCC KC PSE SAA			
EMC		EN55022 EN55024 EN61000-3-2 EN61000-3-3 FCC Part 15B			

NOTES

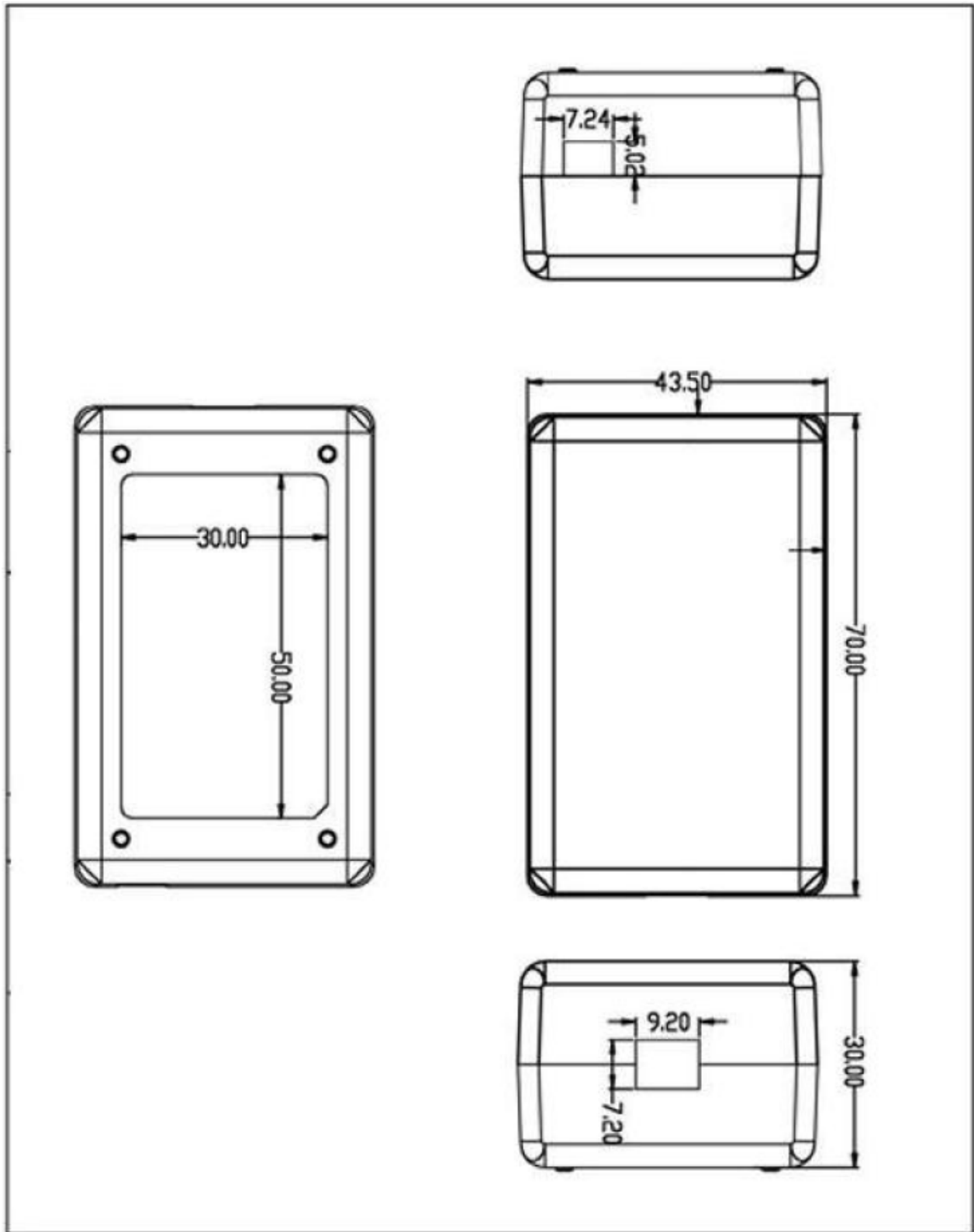
- (1) Output Voltage should be selected within range shown\
 Device will be limited to the maximum output current rating and/or maximum power for model
 A=Case 1; B=Case 2, X in model number stands for AC Inlet and can stand for "1"=C14 or "2"=C6

MECHANICAL DRAWINGS

Case 1



Case 2



COMPANY INFORMATION

Wall Industries, Inc. has created custom and modified units for over 50 years. Our in-house research and development engineers will provide a solution that exceeds your performance requirements on-time and on budget. Our ISO9001-2008 certification is just one example of our commitment to producing a high quality, well-documented product for our customers.

Our past projects demonstrate our commitment to you, our customer. Wall Industries, Inc. has a reputation for working closely with its customers to ensure each solution meets or exceeds form, fit and function requirements. We will continue to provide ongoing support for your project above and beyond the design and production phases. Give us a call today to discuss your future projects.

Contact **Wall Industries** for further information:

Phone: ☎ (603)778-2300
Toll Free: ☎ (888)597-9255
Fax: ☎ (603)778-9797
E-mail: sales@wallindustries.com
Web: www.wallindustries.com
Address: 37 Industrial Drive
Exeter, NH 03833