



**Size:**  
1.25 x 0.80 x 0.40 inches  
(31.8 x 20.3 x 10.2 mm)

**Applications:**

- Medical Equipment
- Telecom/Datacom
- Industry Control Systems
- Semiconductor Equipment
- PV Power Systems
- IGBT Gate Drivers

**FEATURES**

- 2µA Patient Leakage Current
- Single & Dual Outputs
- Under Voltage Protection
- High Efficiency up to 87%
- 2:1 Wide Input Voltage Ranges
- Built-in EMI Class A Filter
- Low Stand-by Power Consumption
- Up to 10 Watts Output Power Reinforced Insulation for 300VAC Working Voltage
- Clearance and Creepage Distance: 6.6mm/2MOOP
- 3000VAC Input to Output 2MOOP Isolation
- Short Circuit, Over Voltage, and Over Load Protection
- CE Mark Meets 2006/95/EC, 2011/95/EC, and 2004/108/EC
- Compliant to RoHS EU Directive 2011/65/EU
- ANSI/AAMI ES60601-1, EN60601-1, IEC60601-1, UL60950-1, EN60950-1, & IEC60950-1 Safety Approvals
- Optional Remote ON/OFF Control and Trim Pin

**DESCRIPTION**

The DCMOP3 series of medical DC/DC power converters provides 3 Watts of output power in a 1.25" x 0.80" x 0.40" DIP package. This series consists of single and dual output models with 2:1 wide input voltage ranges of 4.5-9VDC, 9-18VDC, 18-36VDC, and 36-75VDC. Some features include high efficiency up to 87%, 3000VDC I/O (2 MOOP) isolation, and low stand-by power consumption. These converters are also protected against under voltage, short circuit, over voltage, and over load conditions. All models are RoHS compliant and have ANSI/AAMI ES60601-1, EN60601-1, IEC60601-1, UL60950-1, EN60950-1, and IEC60950-1 safety approvals. Remote ON/OFF and Trim functions are also available for this series.

**MODEL SELECTION TABLE**

**SINGLE OUTPUT MODELS**

Model Number <sup>(1)</sup>	Input Voltage Range	Output Voltage	Output Current	Output Ripple & Noise	No Load Input Current	Output Power	Efficiency	Maximum Capacitive Load
DCMOP3-5S33x	5 VDC (4.5 - 9 VDC)	3.3 VDC	1000mA	30mVp-p	10mA	3.3W	81%	1050µF
DCMOP3-5S05x		5 VDC	600mA	30mVp-p	10mA	3W	84.5%	750µF
DCMOP3-5S12x		12 VDC	250mA	40mVp-p	15mA	3W	85.5%	130µF
DCMOP3-5S15x		15 VDC	200mA	40mVp-p	15mA	3W	85.5%	100µF
DCMOP3-5S24x		24 VDC	125mA	50mVp-p	20mA	3W	85.5%	39µF
DCMOP3-12S33x	12 VDC (9 - 18 VDC)	3.3 VDC	1000mA	30mVp-p	10mA	3.3W	82%	3000µF
DCMOP3-12S05x		5 VDC	600mA	30mVp-p	10mA	3W	84.5%	2500µF
DCMOP3-12S12x		12 VDC	250mA	40mVp-p	10mA	3W	87%	430µF
DCMOP3-12S15x		15 VDC	200mA	40mVp-p	10mA	3W	87%	350µF
DCMOP3-12S24x	24 VDC	125mA	50mVp-p	10mA	3W	87%	125µF	
DCMOP3-24S33x	24 VDC (18 - 36 VDC)	3.3 VDC	1000mA	30mVp-p	6mA	3.3W	82%	3000µF
DCMOP3-24S05x		5 VDC	600mA	30mVp-p	6mA	3W	84.5%	2500µF
DCMOP3-24S12x		12 VDC	250mA	40mVp-p	6mA	3W	87%	430µF
DCMOP3-24S15x		15 VDC	200mA	40mVp-p	6mA	3W	87%	350µF
DCMOP3-24S24x	24 VDC	125mA	50mVp-p	6mA	3W	87%	125µF	
DCMOP3-48S33x	48 VDC (36 - 75 VDC)	3.3 VDC	1000mA	30mVp-p	4mA	3.3W	81%	3000µF
DCMOP3-48S05x		5 VDC	600mA	30mVp-p	4mA	3W	84%	2500µF
DCMOP3-48S12x		12 VDC	250mA	40mVp-p	4mA	3W	87%	430µF
DCMOP3-48S15x		15 VDC	200mA	40mVp-p	4mA	3W	86.5%	350µF
DCMOP3-48S24x	24 VDC	125mA	50mVp-p	4mA	3W	86.5%	125µF	

**DUAL OUTPUT MODELS**

Model Number <sup>(1)</sup>	Input Voltage Range	Output Voltage	Output Current	Output Ripple & Noise	No Load Input Current	Output Power	Efficiency	Maximum Capacitive Load
DCMOP3-5D05x	5 VDC (4.5 - 9 VDC)	±5 VDC	±300mA	30mVp-p	25mA	3W	83%	±430µF
DCMOP3-5D12x		±12 VDC	±125mA	40mVp-p	25mA	3W	86%	±75µF
DCMOP3-5D15x		±15 VDC	±100mA	40mVp-p	25mA	3W	86%	±56µF
DCMOP3-12D05x	12 VDC (9 - 18 VDC)	±5 VDC	±300mA	30mVp-p	10mA	3W	83.5%	±430µF
DCMOP3-12D12x		±12 VDC	±125mA	40mVp-p	10mA	3W	87.5%	±75µF
DCMOP3-12D15x		±15 VDC	±100mA	40mVp-p	10mA	3W	86.5%	±56µF
DCMOP3-24D05x	24 VDC (18 - 36 VDC)	±5 VDC	±300mA	30mVp-p	6mA	3W	83%	±430µF
DCMOP3-24D12x		±12 VDC	±125mA	40mVp-p	6mA	3W	87%	±75µF
DCMOP3-24D15x		±15 VDC	±100mA	40mVp-p	6mA	3W	86%	±56µF
DCMOP3-48D05x	48 VDC (36 - 75 VDC)	±5 VDC	±300mA	30mVp-p	4mA	3W	83%	±430µF
DCMOP3-48D12x		±12 VDC	±125mA	40mVp-p	4mA	3W	86%	±75µF
DCMOP3-48D15x		±15 VDC	±100mA	40mVp-p	4mA	3W	86%	±56µF

**SPECIFICATIONS: DCMOP03 SERIES**

All specifications are based on 25°C, Nominal Input Voltage, and Maximum Output Current unless otherwise noted.  
We reserve the right to change specifications based on technological advances.

SPECIFICATION	TEST CONDITIONS		Min	Typ	Max	Unit
<b>INPUT SPECIFICATIONS</b>						
Input Voltage Range	5VDC nominal input models		4.5	5	9	VDC
	12VDC nominal input models		9	12	18	
	24VDC nominal input models		18	24	36	
	48VDC nominal input models		36	48	75	
Start-Up Voltage	5VDC nominal input models				4.5	VDC
	12VDC nominal input models				9	
	24VDC nominal input models				18	
	48VDC nominal input models				36	
Shutdown Voltage	5VDC nominal input models			4		VDC
	12VDC nominal input models			8		
	24VDC nominal input models			16		
	48VDC nominal input models			33		
Input Surge Voltage (3sec, max.)	5VDC nominal input models				16	VDC
	12VDC nominal input models				25	
	24VDC nominal input models				50	
	48VDC nominal input models				100	
Input Current	No Load		See Table			
Input Filter			Pi type			
Remote ON/OFF Control <i>(Only for "B" type pin connection models)</i>	Referenced to -INPUT pin	DC/DC ON DC/DC OFF	Open or 0 ~ 1.2VDC 2.2 ~ 12 VDC			
Input Current of CTRL Pin	Nominal Vin		-0.5		1	mA
Remote OFF Input Current	Nominal Vin			2.5		mA
<b>OUTPUT SPECIFICATIONS</b>						
Output Voltage			See Table			
Voltage Accuracy			-1.0		+1.0	%
Line Regulation	Low line to high line at full load	Single Output Models	-0.2		+0.2	%
		Dual Output Models	-0.5		+0.5	
Load Regulation	No load to full load	Single Output Models	-0.2		+0.2	%
		Dual Output Models	-1.0		+1.0	
Cross Regulation	Asymmetrical load 25%/100% FL	Dual Output Models	-5.0		+5.0	%
Voltage Adjustability <i>(Only for "B" type pin connection models)</i>	Single Output Models	3.3V, 5V, 12V Output Models	-10		+10	%
		15V, 24V Output Models	-10		+20	
		Dual Output Models	±5V, ±12V, ±15V Output Models	-10		
Output Power			See Table			
Output Current			See Table			
Maximum Capacitive Load	Minimum input and constant resistive load		See Table			
Ripple & Noise (20MHz BW)	Measured with a 10µF/25V X7R MLCC	3.3V, 5V Output Models		30		mVp-p
		12V, 15V Output Models		40		
		24V Output Models		50		
Transient Response Recovery Time	25% load step change			250		µs
Start-Up Time	Constant resistive load	Power Up		30		ms
		Remote On/Off		30		
Temperature Coefficient			-0.02		+0.02	%/°C
<b>PROTECTION</b>						
Short Circuit Protection			Continuous, automatic recovery			
Over Load Protection	% of rated Iout; hiccup mode			150		%
Over Voltage Protection	Continuous clamp	Single Output	3.3V Output Models	3.7	5	VDC
			5V Output Models	5.6	7.0	
			12V Output Models	13.5	16	
		Dual Output	15V Outputs Models	18.3	22.0	
			24V Output Models	29.1	34.5	
			±5V Output Models	5.6	7.0	
±12V Output Models	13.5	18.2				
±15V Output Models	17.0	22.0				

**SPECIFICATIONS: DCMOP03 SERIES**

All specifications are based on 25°C, Nominal Input Voltage, and Maximum Output Current unless otherwise noted.  
We reserve the right to change specifications based on technological advances.

SPECIFICATION	TEST CONDITIONS	Min	Typ	Max	Unit
<b>GENERAL SPECIFICATIONS</b>					
Efficiency	Nominal input voltage and full load	See Table			
Switching Frequency		135	150	165	kHz
Isolation Voltage	1 minute	3000			VAC
Isolation Capacitance			12	17	pF
Leakage Current	240VAC, 60Hz			2	µA
Clearance/Creepage		6.6			mm
<b>ENVIRONMENTAL SPECIFICATIONS</b>					
Operating Ambient Temperature	Without derating	-40		+94	°C
	With derating	+94		+105	
Storage Temperature Range		-55		+125	°C
Thermal Impedance	Natural convection (20LFM)		18		°C/W
Relative Humidity		5		95	% RH
Thermal Shock		MIL-STD-810F			
Vibration		MIL-STD-810F			
MTBF	MIL-HDBK-217F Full Load	6,444,000 Hours			
<b>PHYSICAL SPECIFICATIONS</b>					
Weight		0.48oz (14g)			
Dimensions (L x W x H)		1.25x0.80x0.40 inches (31.8x20.3x10.2mm)			
Case Material		Non-conductive black plastic			
Base Material		Non-conductive black plastic			
Potting Material		Silicon (UL94-V0)			
<b>SAFETY &amp; EMC CHARACTERISTICS</b>					
Safety Approvals (pending)		ANSI/AAMI ES60601-1, IEC60601-1, EN60601-1, UL60950-1, EN60950-1, IEC60950-1			
EMI (See Note 2)		EN55011, EN55022, and FCC Part 18		Class A, Class B	
ESD	EN61000-4-2	Air ±8kV Contact ±6kV		Perf. Criteria A	
Radiated Immunity	EN61000-4-3	10 V/m		Perf. Criteria A	
Fast Transient (See Note 3)	EN61000-4-4	±2kV		Perf. Criteria A	
Surge (See Note 3)	EN61000-4-5	±2kV		Perf. Criteria A	
Conducted Immunity	EN61000-4-6	10 Vrms		Perf. Criteria A	
Power Frequency Magnetic Field	EN61000-4-8	100A/m continuous; 1000 A/m 1 second		Perf. Criteria A	

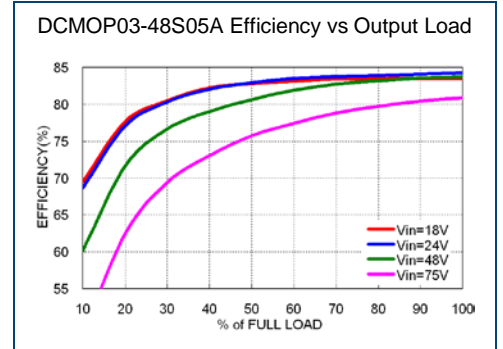
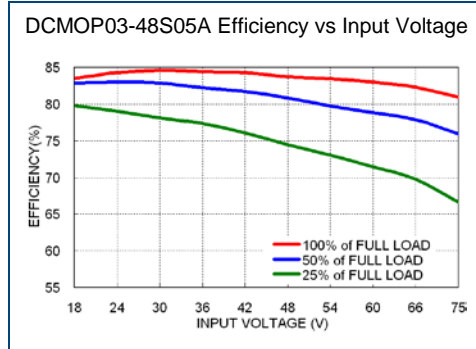
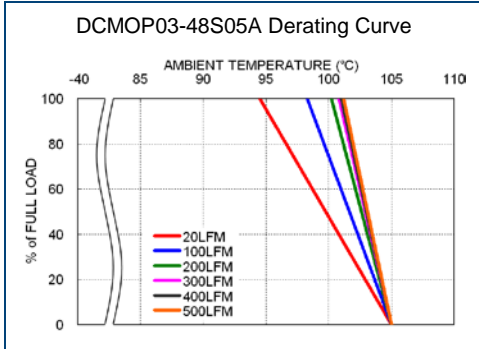
**NOTES**

- The "x" in the model number represents the Pin Connection type. It can be "A" for pin connection type A or "B" for pin connection type B. See mechanical drawings on page 4 for more information.
- The DCMOP03 series meets EMI Class A without an external filter added. This series can only meet EMI Class B with external components added. Please contact factory for more information.
- An external input filter capacitor is required if the module has to meet EN61000-4-4, EN61000-4-5.
  - For 5VDC nominal input models we recommend connecting an aluminum electrolytic capacitor (Nippon Chemi-con KY series, 1000µF/25V) and a reverse diode (Vishay V10P45) in parallel.
  - For 12VDC & 24VDC nominal input models we recommend connecting an aluminum electrolytic capacitor (Nippon Chemi-con KY series, 470µF/50V) in parallel.
  - For 48VDC nominal input models we recommend connecting an aluminum electrolytic capacitor (Nippon Chemi-con KY series, 330µF/100V) in parallel.
- Remote ON/OFF control is optional and is only available for "B" type pin connection models. To order the converter with remote ON/OFF add the suffix "-P" to the model number (Ex: DCMOP03-48S12B-P).
- Trim function is optional and is only available for "B" type pin connection models. To order the converter with Trim pin add the suffix "-T" to the model number (Ex: DCMOP03-48S12B-T).

**CAUTION:** This power module is not internally fused. An input line fuse must always be used.

*\*Due to advances in technology, specifications subject to change without notice.*

**CHARACTERISTIC CURVES**

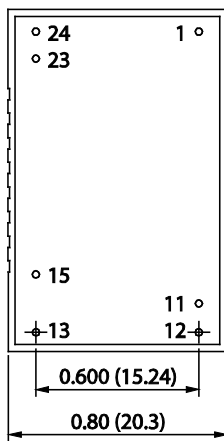


**MECHANICAL DRAWINGS**

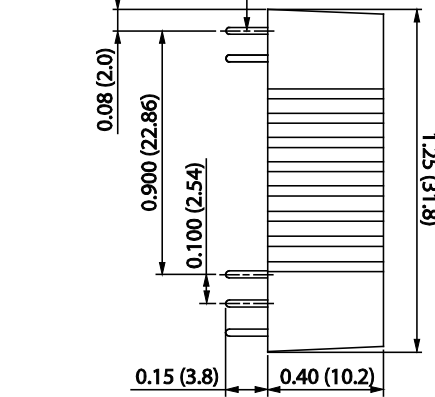
**A Type Pin Connection (Suffix "A")**

Unit: inches (mm)

Pin size is 0.023 (0.60) Dia



**BOTTOM VIEW**



**SIDE VIEW**

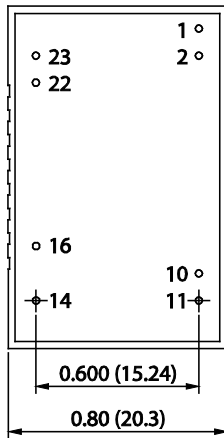
PIN CONNECTIONS		
PIN	SINGLE	DUAL
1	+INPUT	+INPUT
11	NO PIN	COMMON
12	-OUTPUT	NO PIN
13	+OUTPUT	-OUTPUT
15	NO PIN	+OUTPUT
23	-INPUT	-INPUT
24	-INPUT	-INPUT

1. Tolerance: X.XX±0.02 (X.X±0.5)  
X.XXX±0.01 (X.XX±0.25)
2. Pin Pitch Tolerance: ±0.01 (±0.25)
3. Pin Dimension Tolerance: ±0.004 (±0.1)

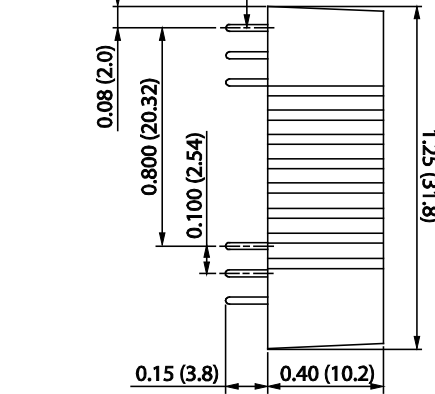
**B Type Pin Connection (Suffix "B")**

Unit: inches (mm)

Pin size is 0.023 (0.60) Dia



**BOTTOM VIEW**



**SIDE VIEW**

PIN CONNECTIONS		
PIN	SINGLE	DUAL
1	CTRL (Optional)	CTRL (Optional)
2	-INPUT	-INPUT
10	TRIM (Optional)	TRIM (Optional)
11	**NO PIN / NC	-OUTPUT
14	+OUTPUT	+OUTPUT
16	-OUTPUT	COMMON
22	+INPUT	+INPUT
23	+INPUT	+INPUT

\*\* For Single Output Models Pin 11 is "NO PIN" with the Trim pin option (Suffix "-T") and "NC" without the trim pin option.

1. Tolerance: X.XX±0.02 (X.X±0.5)  
X.XXX±0.01 (X.XX±0.25)
2. Pin Pitch Tolerance: ±0.01 (±0.25)
3. Pin Dimension Tolerance: ±0.004 (±0.1)

**MODEL NUMBER SETUP**

DCMOP	03	-	48	S	05	B	-	P <sup>(1)</sup>	T <sup>(1)</sup>
Series Name	Output Power		Input Voltage	Output Quantity	Output Voltage	Pin Connection		Remote ON/OFF Option	Trim Option
	<b>03:</b> 3 Watts		<b>5:</b> 5 VDC <b>12:</b> 12 VDC <b>24:</b> 24 VDC <b>48:</b> 48 VDC	<b>S:</b> Single Output  <b>D:</b> Dual Output	<b>33:</b> 3.3 VDC <b>05:</b> 5 VDC <b>12:</b> 12 VDC <b>15:</b> 15 VDC <b>24:</b> 24 VDC  <b>05:</b> ±5 VDC <b>12:</b> ±12 VDC <b>15:</b> ±15 VDC	<b>A:</b> A Type <b>B:</b> B Type		<b>None:</b> No Remote ON/OFF <b>P:</b> Remote ON/OFF	<b>None:</b> No Trim <b>T:</b> Trim

(1) Remote ON/OFF Control and Trim options are only available for "B" type pin connection models.

**COMPANY INFORMATION**

Wall Industries, Inc. has created custom and modified units for over 50 years. Our in-house research and development engineers will provide a solution that exceeds your performance requirements on-time and on budget. Our ISO9001-2008 certification is just one example of our commitment to producing a high quality, well-documented product for our customers.

Our past projects demonstrate our commitment to you, our customer. Wall Industries, Inc. has a reputation for working closely with its customers to ensure each solution meets or exceeds form, fit and function requirements. We will continue to provide ongoing support for your project above and beyond the design and production phases. Give us a call today to discuss your future projects.

Contact **Wall Industries** for further information:

Phone: ☎(603)778-2300  
 Toll Free: ☎(888)597-9255  
 Fax: ☎(603)778-9797  
 E-mail: [sales@wallindustries.com](mailto:sales@wallindustries.com)  
 Web: [www.wallindustries.com](http://www.wallindustries.com)  
 Address: 5 Watson Brook Rd.  
 Exeter, NH 03833