

HORIZONTAL TYPE

United States ("U" Suffix) United Kingdom ("K" Suffix) Europe ("E" Suffix) China ("C" Suffix) Australia ("A" Suffix) Japan ("J" Suffix) Korea ("KO" Suffix)



VERTICAL TYPE

United States ("U" Suffix) United Kingdom ("K" Suffix) Europe ("E" Suffix) China ("C" Suffix) Australia ("A" Suffix) Japan ("J" Suffix) Korea ("KO" Suffix)



FEATURES

- Class II
- Single Outputs
- RoHS Compliant
- 100-240VAC Input Voltage Range
- 2.5~6 Watts Output Power
- CEC / Energy Star Level VI Compliant (Except 12V Models)
- 0°C to +40° Operating Temperature Range
- Very Low Standby Power
- Vertical and Horizontal Types Available
- Several Output Connector Options Available
- Over Voltage, Over Current, & Short Circuit Protection
- UL/cUL, FCC, CE, GS, EUP, CB, BS1363, SAA, CCC, PSE, MEPS, KC, & C-TICK Safety Approvals
- United States, United Kingdom, Europe, China, Australia, Japan, and Korea AC Plug Types Available

DESCRIPTION

The WMSAW6 series of Class II AC/DC wall mount power supplies provides up to 6 Watts of output power. This series has single output models with an input voltage range of 100-240VAC. These supplies are protected against over voltage, over current, and short circuit conditions. The WMSAW6 series is RoHS and CEC/Energy Star Level VI compliant (Except for 12V models) and has UL/cUL, FCC, CE, GS, EUP, CB, BS1363, SAA, CCC, PSE, MEPS, and C-TICK safety approvals. Vertical or horizontal package types are available for this series as well as United States, United Kingdom, Europe, China, Australia, Japan, and Korea AC plug types. Several output connector options are also available. Please contact the factory for ordering details.

MODEL SELECTION TABLE

| Model No ⁽¹⁾ | Input Voltage Range | Output Voltage | Output Current | Line Regulation | Load Regulation | Ripple & Noise ⁽²⁾ | Output Power | Package Type |
|-------------------------|---------------------|----------------|----------------|-----------------|-----------------|-------------------------------|--------------|--------------|
| WMSAW205V-x | 100~240 VAC | 5 VDC | 500mA | ±1% | ±5% | 50mVp-p | 2.5W | Vertical |
| WMSAW405V-x | | 5 VDC | 800mA | ±1% | ±5% | 50mVp-p | 4W | |
| WMSAW505V-x | | 5 VDC | 1000mA | ±1% | ±5% | 50mVp-p | 5W | |
| WMSAW605V-x | | 5 VDC | 1200mA | ±1% | ±5% | 50mVp-p | 6W | |
| WMSAW306V-x | | 6 VDC | 500mA | ±1% | ±5% | 50mVp-p | 3W | |
| WMSAW406V-x | | 6 VDC | 800mA | ±1% | ±5% | 50mVp-p | 4.8W | |
| WMSAW606V-x | | 6 VDC | 1000mA | ±1% | ±5% | 50mVp-p | 6W | |
| WMSAW675V-x | | 7.5 VDC | 800mA | ±1% | ±5% | 50mVp-p | 6W | |
| WMSAW409V-x | | 9 VDC | 500mA | ±1% | ±5% | 50mVp-p | 4.5W | |
| WMSAW509V-x | | 9 VDC | 600mA | ±1% | ±5% | 50mVp-p | 5.4W | |
| WMSAW612V-x | | 12 VDC | 500mA | ±1% | ±5% | 50mVp-p | 6W | |
| WMSAW205H-x | | 100~240 VAC | 5 VDC | 500mA | ±1% | ±5% | 50mVp-p | |
| WMSAW405H-x | 5 VDC | | 800mA | ±1% | ±5% | 50mVp-p | 4W | |
| WMSAW505H-x | 5 VDC | | 1000mA | ±1% | ±5% | 50mVp-p | 5W | |
| WMSAW605H-x | 5 VDC | | 1200mA | ±1% | ±5% | 50mVp-p | 6W | |
| WMSAW306H-x | 6 VDC | | 500mA | ±1% | ±5% | 50mVp-p | 3W | |
| WMSAW406H-x | 6 VDC | | 800mA | ±1% | ±5% | 50mVp-p | 4.8W | |
| WMSAW606H-x | 6 VDC | | 1000mA | ±1% | ±5% | 50mVp-p | 6W | |
| WMSAW675H-x | 7.5 VDC | | 800mA | ±1% | ±5% | 50mVp-p | 6W | |
| WMSAW409H-x | 9 VDC | | 500mA | ±1% | ±5% | 50mVp-p | 4.5W | |
| WMSAW509H-x | 9 VDC | | 600mA | ±1% | ±5% | 50mVp-p | 5.4W | |
| WMSAW612H-x | 12 VDC | | 500mA | ±1% | ±5% | 50mVp-p | 6W | |

NOTES

1. The "x" in the model number represents the type of plug: "U" for United States type, "K" for United Kingdom type, "E" for Europe type, "A" for Australia type, "C" for China type, "J" for Japan type, and "KO" for Korea type.
2. Ripple and noise is measured at 20MHz limited bandwidth with 0.1µF ceramic and 10µF electrolytic capacitors across the output
3. Optional output connectors available. Please call factory for ordering details.

SPECIFICATIONS: WMSAW6 SERIES

All specifications are based on 25°C, Nominal Input Voltage, and Maximum Output Current unless otherwise noted.
We reserve the right to change specifications based on technological advances.

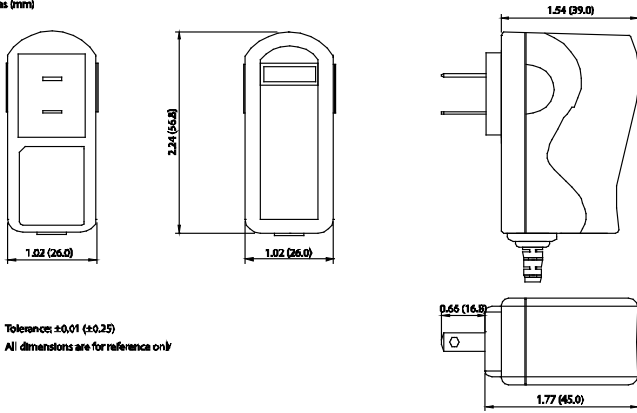
| SPECIFICATION | TEST CONDITIONS | Min | Typ | Max | Unit |
|-------------------------------------|---|---------------------------------------|----------------|-----|-------|
| INPUT SPECIFICATIONS | | | | | |
| Input Voltage | Rated input voltage range | 100 | 115/230 | 240 | VAC |
| Input Frequency | | 47 | 50/60 | 63 | Hz |
| Input Current | 90VAC/60Hz and full load | | | 300 | mA |
| Inrush Current | 100VAC and full load | | | 30 | A |
| | 240VAC and full load | | | 75 | |
| Stand-by Power | 230VAC/50Hz and no load | | | 0.3 | W |
| OUTPUT SPECIFICATIONS | | | | | |
| Output Voltage | | See Table | | | |
| Voltage Tolerance | | -5 | | +5 | % |
| Line Regulation | | -1 | | +1 | % |
| Load Regulation | | -5 | | +5 | % |
| Output Power | | See Table | | | |
| Output Current | | See Table | | | |
| Minimum Load | | 0 | | | mA |
| Ripple & Noise | | | 50 | | mVp-p |
| Hold-Up Time | 100VAC/60Hz and full load | 10 | | | ms |
| Turn-on Time | 100VAC/60Hz and full load | | | 3 | s |
| PROTECTION | | | | | |
| Over Voltage Protection | | Output voltage clamped by Zener diode | | | |
| Over Current Protection | | Output shut-down; Automatic recovery | | | |
| Short Circuit Protection | | Output shut-down; Automatic recovery | | | |
| GENERAL SPECIFICATIONS | | | | | |
| Efficiency | | CEC-V / ERP / MEPS | | | |
| Switching Frequency | | | 65 | | KHz |
| Dielectric Withstand Voltage | 10mA / 60 sec | 3000 | | | VAC |
| Insulation (input to output) | 500VDC | 10 | | | MΩ |
| ENVIRONMENTAL SPECIFICATIONS | | | | | |
| Operating Temperature | | 0 | | 40 | °C |
| Storage Temperature | | -20 | | 60 | °C |
| Operating Humidity | | 5 | | 95 | % RH |
| Cooling | | Free air convection | | | |
| MTBF | @ 25°C (MIL-HDBK-217F) | 50,000 | | | hours |
| PHYSICAL SPECIFICATIONS | | | | | |
| Dimensions (L x W x H) | | See drawings | | | |
| Weight | Horizontal type | 2.93oz (83g) | | | |
| | Vertical type | 2.65oz (75g) | | | |
| Output Connector | | Contact factory for options | | | |
| AC Plug Types | See "Model Number Setup" Table on page 5 | "U" suffix | United States | | |
| | | "K" suffix | United Kingdom | | |
| | | "E" suffix | Europe | | |
| | | "A" suffix | Australia | | |
| | | "C" suffix | China | | |
| | | "J" suffix | Japan | | |
| | | "KO" suffix | Korea | | |
| Package Type | See "Model Number Setup" Table on page 5 | "V" suffix | Vertical | | |
| | | "H" suffix | Horizontal | | |
| SAFETY & COMPLIANCE | | | | | |
| Safety Approvals | UL/cUL, FCC, CE, GS, EUP, CB, BS1363, SAA, CCC, PSE, MEPS, KC, and C-TICK | | | | |
| Compliance | RoHS and CEC/Energy Star Level VI compliant | | | | |

MECHANICAL DRAWINGS

HORIZONTAL TYPE

United States ("U" Suffix)

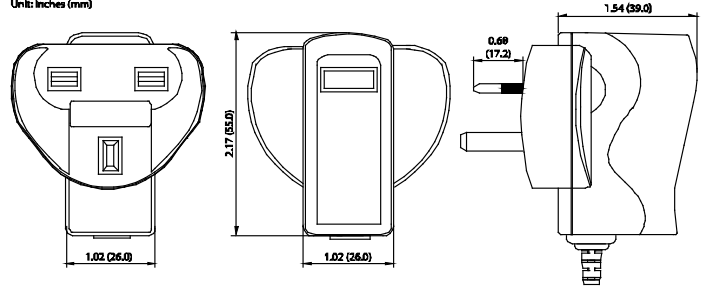
Unit: Inches (mm)



Tolerance: ±0.01 (±0.25)
All dimensions are for reference only

United Kingdom ("K" Suffix)

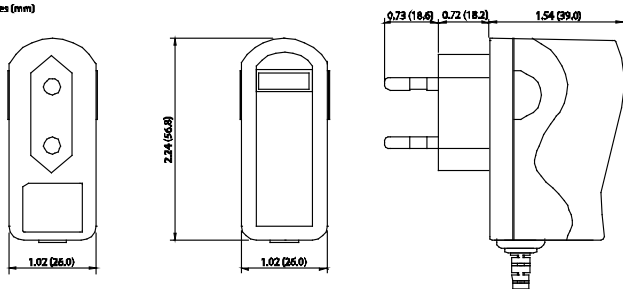
Unit: Inches (mm)



Tolerance: ±0.01 (±0.25)
All dimensions are for reference only

Europe ("E" Suffix) & Korea ("KO" Suffix)

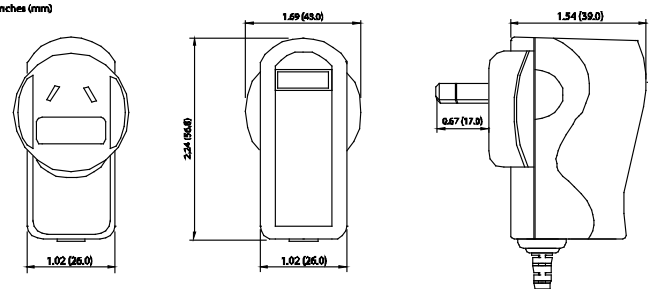
Unit: Inches (mm)



Tolerance: ±0.01 (±0.25)
All dimensions are for reference only

Australia ("A" Suffix)

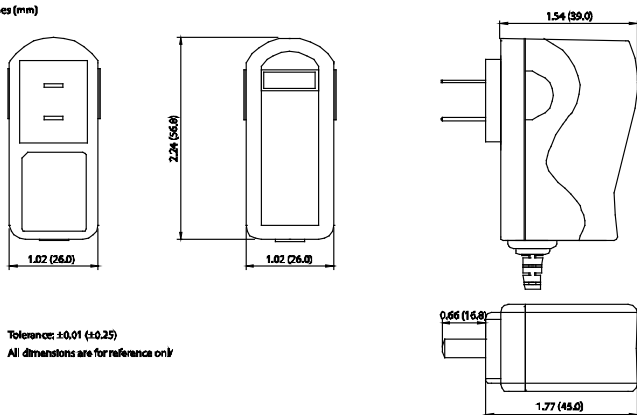
Unit: Inches (mm)



Tolerance: ±0.01 (±0.25)
All dimensions are for reference only

China ("C" Suffix)

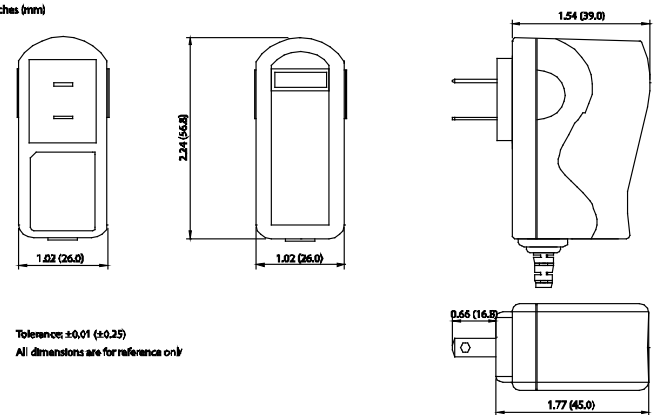
Unit: Inches (mm)



Tolerance: ±0.01 (±0.25)
All dimensions are for reference only

Japan ("J" Suffix)

Unit: Inches (mm)

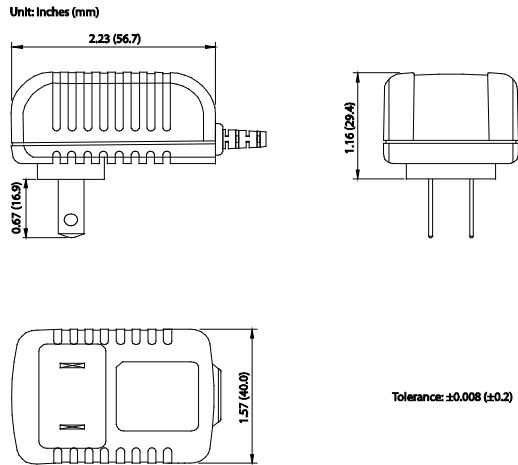


Tolerance: ±0.01 (±0.25)
All dimensions are for reference only

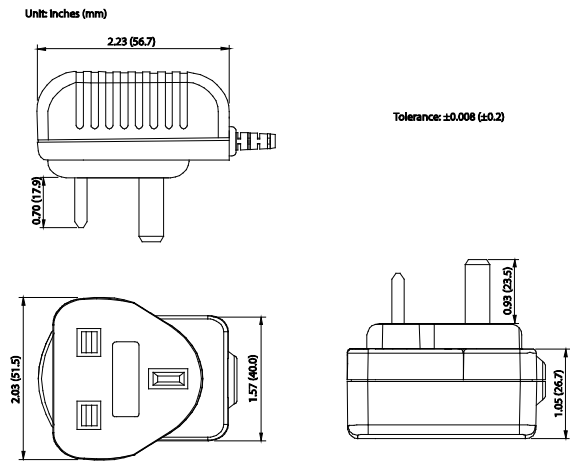
MECHANICAL DRAWINGS

VERTICAL TYPE

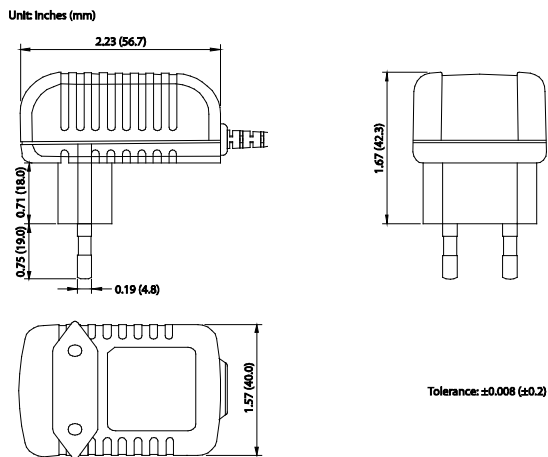
United States ("U" Suffix)



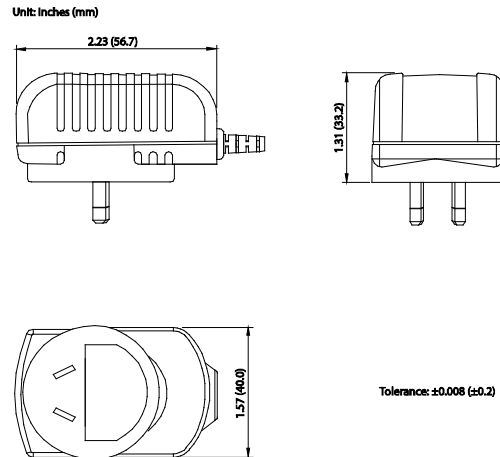
United Kingdom ("K" Suffix)



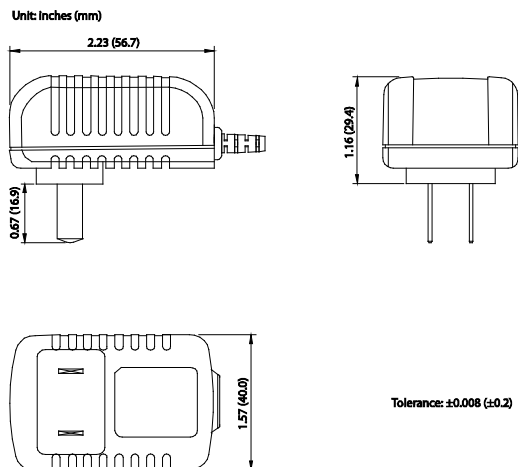
Europe ("E" Suffix) & Korea ("KO" Suffix)



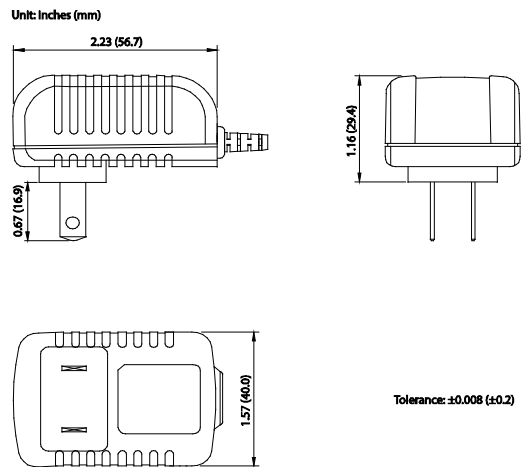
Australia ("A" Suffix)



China ("C" Suffix)



Japan ("J" Suffix)



MODEL NUMBER SETUP

| WMSAW | 6 | 12 | V | - | U |
|-------------|----------------------------------|--------------------|----------------------|---|--------------------------|
| Series Name | Output Power | Ouptut Voltage | Package Type | | AC Plug Type |
| | 2: 2.5 Watts | 05: 5 VDC | V: Vertical | | U: United States |
| | 3: 3 Watts | 06: 6 VDC | H: Horizontal | | K: United Kingdom |
| | 4 Watts | 75: 7.5 VDC | | | E: Europe |
| | 4: 4.5 watts 4.8 Watts | 09: 9 VDC | | | A: Australia |
| | 5: 5 Watts 5.4 Watts | 12: 12 VDC | | | C: China |
| | 6: 6 Watts | | | | J: Japan |
| | | | | | KO: Korea |

Note: Several output connector options are available. Please contact factory for ordering details.

COMPANY INFORMATION

Wall Industries, Inc. has created custom and modified units for over 50 years. Our in-house research and development engineers will provide a solution that exceeds your performance requirements on-time and on budget. Our ISO9001-2008 certification is just one example of our commitment to producing a high quality, well-documented product for our customers.

Our past projects demonstrate our commitment to you, our customer. Wall Industries, Inc. has a reputation for working closely with its customers to ensure each solution meets or exceeds form, fit and function requirements. We will continue to provide ongoing support for your project above and beyond the design and production phases. Give us a call today to discuss your future projects.

Contact **Wall Industries** for further information:

Phone: ☎(603)778-2300
 Toll Free: ☎(888)597-9255
 Fax: ☎(603)778-9797
 E-mail: sales@wallindustries.com
 Web: www.wallindustries.com
 Address: 37 Industrial Drive
 Exeter, NH 03833