

United States ("U" Suffix)



United Kingdom ("K" Suffix)



Europe ("E" Suffix)



Size: 2.92in x 1.15in x 1.64in (74.2mm x 29.2mm x 41.7mm)

China ("C" Suffix)



Australia ("A" Suffix)



Japan ("J" Suffix)



Korean ("KR" Suffix)



Size: 2.92in x 1.15in x 1.64in (74.2mm x 29.2mm x 41.7mm)

FEATURES

- Single Outputs
- RoHS & REACH Compliant
- 90~264VAC Input Voltage Range
- 6~15 Watts Output Power
- Very Low Standby Power
- 10°C to +40° Operating Temperature Range
- Class II Construction
- Over Current, and Short Circuit Protection
- Efficiency Level VI Compliant
- 60950/60335/61558/60065 Safety Approvals
- Available in White Case
- United States, United Kingdom, Europe, China, Australia, Korea, and Japan AC Plug Types Available
- Several Output Connector Options Available

DESCRIPTION

The WMSAW14 series of AC/DC wall mount power supplies provides up to 15 Watts of output power. This series has single output models with an input voltage range of 90~264VAC. These supplies are protected against over voltage, over current, and short circuit conditions. The WMSAW14 series is RoHS, REACH, and Efficiency Level VI compliant and has 60950/60335/61558/60065 safety approvals. United States, United Kingdom, Europe, China, Australia, Korea, and Japan AC plug types are available for this series. Several output connector options are also available. Please contact the factory for ordering details.

MODEL SELECTION TABLE

Model Number ⁽¹⁾	Input Voltage Range	Output Voltage	Output Current	Ripple & Noise ⁽²⁾	Output Power
WMSAW705-x	90~264VAC	5VDC	1.5A	60mV	7.5W
WMSAW1005-x		5VDC	2A	60mV	10W
WMSAW1575-x		7.5VDC	2A	60mV	15W
WMSAW1309-x		9VDC	1.5A	60mV	13.5W
WMSAW1412-x		12VDC	1.25A	60mV	15W
WMSAW1515-x		15VDC	1A	60mV	15W
WMSAW1224-x		24VDC	0.5A	120mV	12W

NOTES

1. The "x" in the model number represents the type of plug: "U" for United States type, "K" for United Kingdom type, "E" for Europe type, "A" for Australia type, "C" for China type, "J" for Japan type, and "KR" for Korean plug type.
 2. Ripple & noise measured at 20MHz limited bandwidth with 0.1µF ceramic & 10µF electrolytic capacitors across the output
 3. Several output connector options are available. Contact factory for details.
 4. White package available. Contact factory for details
 5. This product is Listed to applicable standards and requirements by UL.
- *Due to advances in technology, specifications subject to change without notice.*

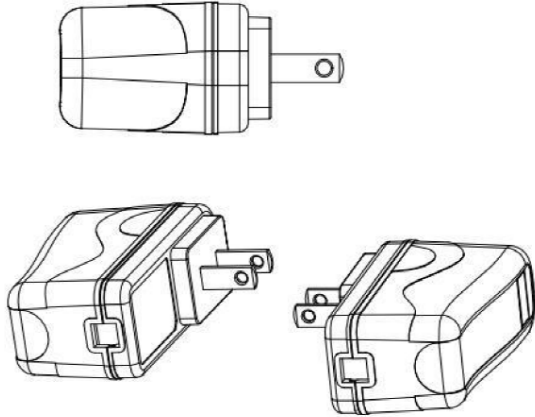
SPECIFICATIONS: WMSAW14 SERIES

All specifications are based on 25°C, Nominal Input Voltage, and Maximum Output Current unless otherwise noted.
 We reserve the right to change specifications based on technological advances.

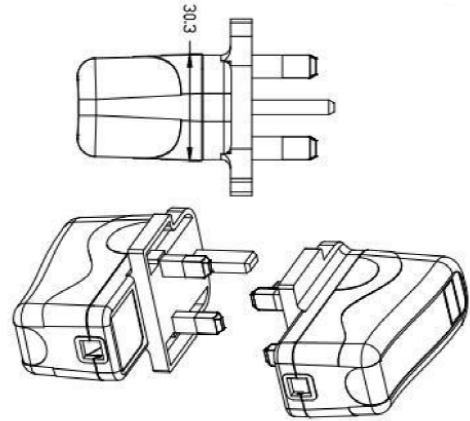
SPECIFICATION	TEST CONDITIONS	Min	Typ	Max	Unit
INPUT SPECIFICATIONS					
Input Voltage	Rated input voltage range	90	115/230	264	VAC
Input Frequency		47	50/60	63	Hz
Input Current				1.2	A
Inrush Current				40	A
Stand-by Power	230VAC/50Hz and no load			0.1	W
OUTPUT SPECIFICATIONS					
Output Voltage		See Table			
Voltage Range		3		30	V
Line Regulation				1	%
Output Regulation		-5		+5	%
Output Power		See Table			
Output Current		See Table			
Minimum Load		0			mA
Ripple & Noise				100	mVp-p
Turn-on Time		20		30	mS
Temperature Coefficient			0.05		%/°C
PROTECTION					
Over Current Protection	Automatic Recovery	100		2500	mA
Short Circuit Protection		Automatic recovery			
GENERAL SPECIFICATIONS					
Efficiency		VI			
Primary to Secondary		50			MΩ
Leakage Current				0.25	mA
ENVIRONMENTAL SPECIFICATIONS					
Operating Temperature		10		40	°C
Storage Temperature		-20		80	°C
Operating Humidity	Non-Condensing	5		95	% RH
Cooling		Free air convection			
PHYSICAL SPECIFICATIONS					
Dimensions (L x W x H)	Contact factory for more dimension information	Approximately 2.92" x 1.15" x 1.64" (74.2 x 29.2 x 41.7 mm)			
Weight		Approximately 5.29oz (150g)			
Output Connector		Contact factory for options			
Plugs		United States, United Kingdom, Europe, Australia, China, Korea and Japan types			
SAFETY & COMPLIANCE					
Safety Approvals	All	60950/60335/61558/60065			
	China Plug	CCC			
	Korea Plug	KC, KCC			
	Japan Plug	PSE			
	Australia Plug	SAA, C-Tick, RCM			
	UK & EU Plug	CE, CB, GS			
	US Plug ⁽⁵⁾	UL, FCC			
Compliance		RoHS, REACH, Efficiency Level VI compliant			

MECHANICAL DRAWINGS

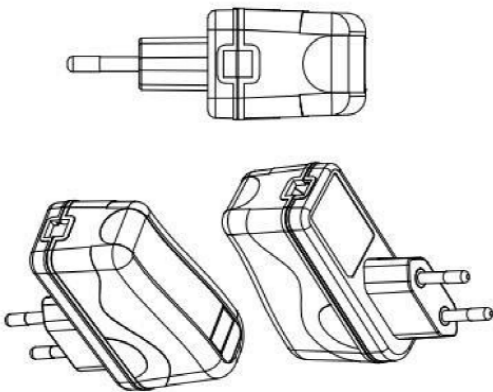
United States ("U" Suffix)



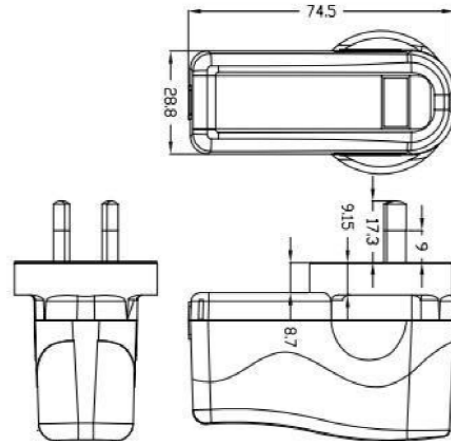
United Kingdom ("K" Suffix)



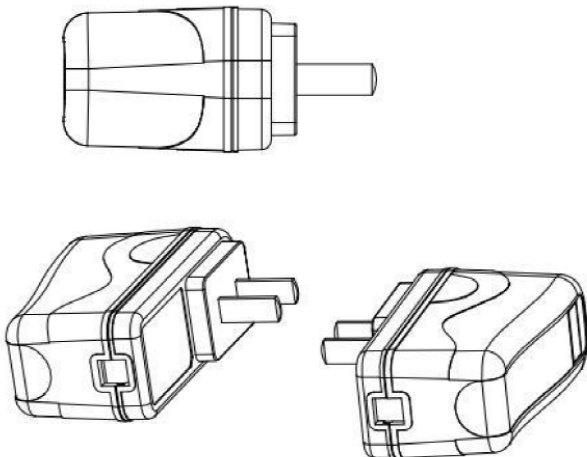
Europe ("E" Suffix)



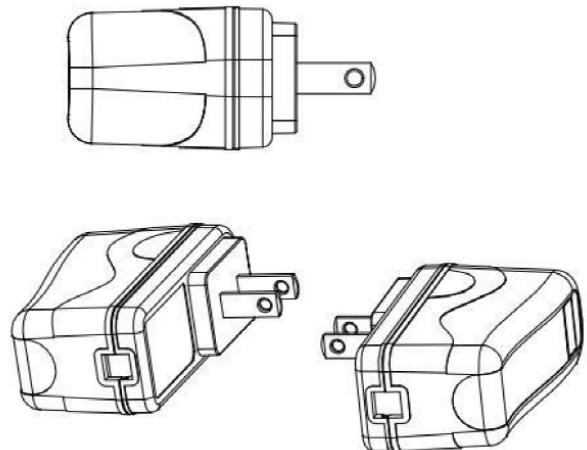
Australia ("A" TYPE)



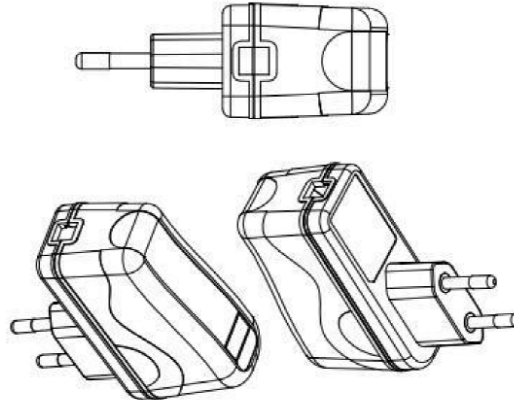
China ("C" Suffix)



Japan ("J" Suffix)



Korean ("KR" Suffix)



MODEL NUMBER SETUP

WMSAW	14	12	-	U
Series Name	Output Power	Ouptut Voltage		AC Plug Type
	7: 7.5 Watts	05: 5 VDC		U: United States
	10: 10 Watts	75: 7.5 VDC		K: United Kingdom
	12: 12 Watts	09: 9 VDC		E: Europe
	13: 13.5 Watts	12: 12 VDC		A: Australia
	15: 15 Watts	15: 15 VDC		C: China
		24: 24 VDC		J: Japan
				KR: Korea

Note: Several output connector options are available. Please contact factory for ordering details.

COMPANY INFORMATION

Wall Industries, Inc. has created custom and modified units for over 50 years. Our in-house research and development engineers will provide a solution that exceeds your performance requirements on-time and on budget. Our ISO9001: 2015 certification is just one example of our commitment to producing a high quality, well-documented product for our customers.

Our past projects demonstrate our commitment to you, our customer. Wall Industries, Inc. has a reputation for working closely with its customers to ensure each solution meets or exceeds form, fit and function requirements. We will continue to provide ongoing support for your project above and beyond the design and production phases. Give us a call today to discuss your future projects.

Contact **Wall Industries** for further information:

Phone: ☎ (603)778-2300
Toll Free: ☎ (888)597-9255
Fax: ☎ (603)778-9797
E-mail: sales@wallindustries.com
Web: www.wallindustries.com
Address: 37 Industrial Drive
Exeter, NH 03833

©2019 Wall Industries, Inc. Specifications subject to change without notice. Wall Industries is not responsible for typographical errors. The information contained herein is for informational purposes only. This information is provided by Wall Industries and we make no representations or warranties of any kind, express or implied, about the completeness, accuracy, reliability, suitability or availability with respect to the information contained in this document for any purpose. All product and manufacturer names are trademarks or registered trademarks of their respective companies.