

EU Cable Type



EU USB Type



US Cable Type



US USB Type



Size: 1.52in x 0.93in x 1.65in (38.70mm x 23.70mm x 42.00mm)

**OPTIONS**

- EU or US Plug
- USB or Cable
- Case Color

**FEATURES**

- Universal Input Voltage of 90~264VAC
- Output Voltages Ranging from 5V to 24V
- Level VI Compliant
- Light Weight and Compact
- Class 2
- Short Circuit, Over Current, and Input Protection
- FCC and cUL Safety Approvals
- RoHS Compliant
- Optional Case Color (Available in White)

**APPLICATIONS**

- Phone Charger
- Portable Equipment
- Mobile Equipment

**DESCRIPTION**

The WMSAW06D series of AC DC wall mount power supplies offers up to 6 watts of output power in a light weight and compact package. This series consists of single output models with a universal input range of 90~264VAC and output voltages ranging from 5V to 24V. Both USB and Cable types are available in this series, and US and EU plug types are also available. Each model in this series is protected against short circuit, over voltage, and over current conditions and has FCC and cUL safety approvals. Please call factory for order details.

**MODEL SELECTION TABLE**

Model Number <sup>(1)</sup>	Input Voltage Range	Output Voltage	Output Current	Ripple & Noise	Output Power	Efficiency Level
WMSAW06D-05-500xAy	90~264VAC (50/60Hz)	5V	500mA	30mV	2.5W	Level VI
WMSAW06D-05-1000xAy		5V	1000mA	40mV	5.0W	Level VI
WMSAW06D-05-1200xAy		5V	1200mA	50mV	6.0W	Level VI
WMSAW06D-06-300xAy		6V	300mA	90mV	1.8W	Level VI
WMSAW06D-09-300xAy		9V	300mA	90mV	2.7W	Level VI
WMSAW06D-09-670xAy		9V	670mA	70mV	4.5W	Level VI
WMSAW06D-12-500xAy		12V	500mA	50mV	6.0W	Level VI
WMSAW06D-24-125xAy		24V	125mA	50mV	3.0W	Level VI
WMSAW06D-24-250xAy		24V	250mA	50mV	6.0W	Level VI
WMSAW06D-05-500xBy		90~264VAC (50/60Hz)	5V	500mA	30mV	2.5W
WMSAW06D-05-1000xBy	5V		1000mA	40mV	5.0W	Level VI
WMSAW06D-05-1200xBy	5V		1200mA	50mV	6.0W	Level VI
WMSAW06D-06-300xBy	6V		300mA	90mV	1.8W	Level VI
WMSAW06D-09-300xBy	9V		300mA	90mV	2.7W	Level VI
WMSAW06D-09-670xBy	9V		670mA	70mV	4.5W	Level VI
WMSAW06D-12-500xBy	12V		500mA	50mV	6.0W	Level VI
WMSAW06D-24-125xBy	24V		125mA	50mV	3.0W	Level VI
WMSAW06D-24-250xBy	24V		250mA	50mV	6.0W	Level VI

**SPECIFICATIONS**

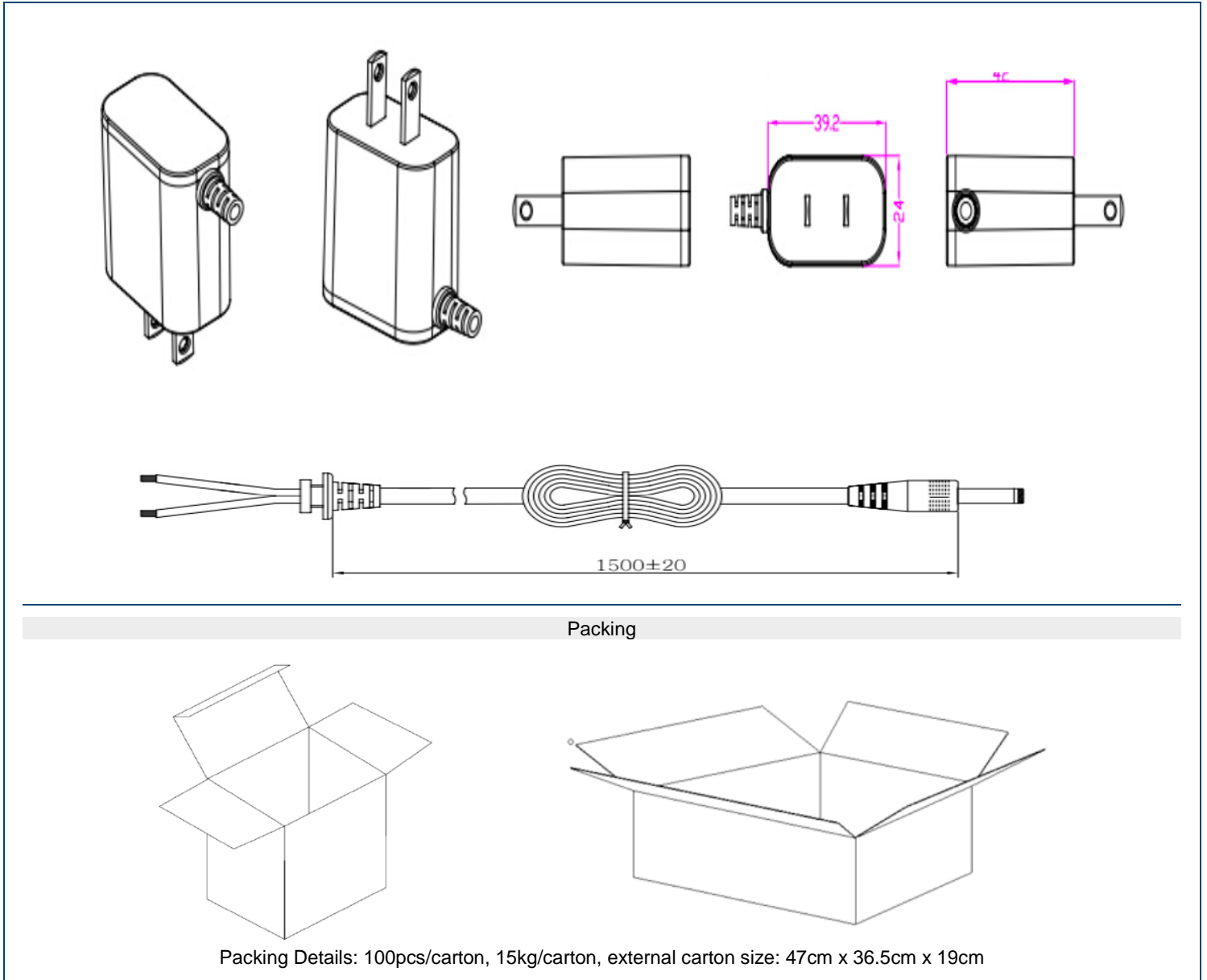
All specifications are based on 25°C, Nominal Input Voltage, and Maximum Output Current unless otherwise noted.  
 We reserve the right to change specifications based on technological advances.

SPECIFICATION	TEST CONDITIONS	Min	Typ	Max	Unit
<b>INPUT SPECIFICATIONS</b>					
Input Voltage Range		90		264	VAC
Input Frequency		47		63	Hz
Input Current				1.2	A
Inrush Current				40	A
<b>OUTPUT SPECIFICATIONS</b>					
Output Voltage		See Table			
Line Regulation				1	%
Output Regulation		-5		+5	%
Output Power		See Table			
Output Current		See Table			
Ripple & Noise	1% of Output Voltage	See Table			
Turn On Time	Nominal	20		30	S
<b>PROTECTION</b>					
Short Circuit Protection		2A Inner Current Fuse			
Over Current Protection		Automatic Recovery			
<b>GENERAL SPECIFICATIONS</b>					
Insulation Resistance	Primary Secondary	50			MΩ
Standby Power				0.1	W
Leakage Current				0.25	mA
<b>ENVIRONMENTAL SPECIFICATIONS</b>					
Operating Case Temperature		10		40	°C
Storage Temperature		-20		80	%°C
Temperature Coefficient			0.05		%/°C
Humidity	Non-Condensing	5		95	%
Cooling		Convection			
<b>PHYSICAL SPECIFICATIONS</b>					
Weight		5.28oz (149.69g)			
Dimensions		1.52in x 0.93in x 1.65in (42mm x 23.70mm x 42.00mm)			
<b>SAFETY</b>					
Safety Approvals		UL/cUL (60950 & UL1310) FCC			

**NOTES**

- (1) "x" in model number stands for plug type. "x" can either be U for USA plug, or E for EU plug. A or B in the model number stand for either USB or Cable output. A=USB and B=Cable.

MECHANICAL DRAWINGS



MODEL NUMBER SETUP

WMSAW	06D	-	050	-	1200	x	B	y
Series Name	Output Power		Output Voltage		Output Current	Plug Type	Output Type	Case Color
	<b>06:</b> 6 Watts		<b>050:</b> 5 Volts <b>060:</b> 6 Volts <b>090:</b> 9 Volts <b>120:</b> 12 Volts <b>240:</b> 24 Volts		<b>0125:</b> 125mA <b>0250:</b> 250mA <b>0300:</b> 300mA <b>0500:</b> 500mA <b>0670:</b> 670mA <b>1000:</b> 1000mA <b>1200:</b> 1200mA	<b>U:</b> USA <b>E:</b> EU	<b>A:</b> USB <b>B:</b> Cable	<b>B:</b> Black <b>W:</b> White

---

COMPANY INFORMATION

Wall Industries, Inc. has created custom and modified units for over 50 years. Our in-house research and development engineers will provide a solution that exceeds your performance requirements on-time and on budget. Our ISO9001-2008 certification is just one example of our commitment to producing a high quality, well-documented product for our customers.

Our past projects demonstrate our commitment to you, our customer. Wall Industries, Inc. has a reputation for working closely with its customers to ensure each solution meets or exceeds form, fit and function requirements. We will continue to provide ongoing support for your project above and beyond the design and production phases. Give us a call today to discuss your future projects.

Contact **Wall Industries** for further information:

Phone: ☎ (603)778-2300  
Toll Free: ☎ (888)597-9255  
Fax: ☎ (603)778-9797  
E-mail: [sales@wallindustries.com](mailto:sales@wallindustries.com)  
Web: [www.wallindustries.com](http://www.wallindustries.com)  
Address: 37 Industrial Drive  
Exeter, NH 03833