



Size: 1.70in x 1.20in x 2.80in (43.2mm x 30.5mm x 71.2mm)

OPTIONS

- Interchangeable AC Plug
 - UK Plug
 - US Plug
 - AU Plug
 - EU Plug
- Output Voltage

APPLICATIONS

- Wireless Equipment
- Camera
- Telephone
- Router

FEATURES

- Interchangeable AC Plug
- Efficiency Level VI
- 15-30 Watt Output Power
- Wide Input Voltage Range of 90~264VAC
- Output Voltage Ranging from 7.5~24V
- Over Current and Short Circuit Protection
- RoHS Compliant
- UL, cUL, FCC, CE, GS, PSE, CCC, SAA, C-Tick, CB, and BSI1363 Safety Approvals
- 4 Types of Interchangeable AC Plugs Available: UK, US, AU, and EU Plugs

DESCRIPTION

The WMICP30 series of AC DC interchangeable wall mount power supplies provides 15-30 watts of output power. This series consists of single output models with wide input voltage range of 90~264VAC and output voltages ranging from 7.5~24V. Four different interchangeable plugs are available for this series: US, UK, AU, and EU plugs. Each model of this series is Efficiency Level VI and RoHS compliant. This series also has UL, cUL, FCC, CE, GS, PSE, CCC, SAA, C-Tick, CB and BSI1363 safety approvals.

MODEL SELECTION TABLE

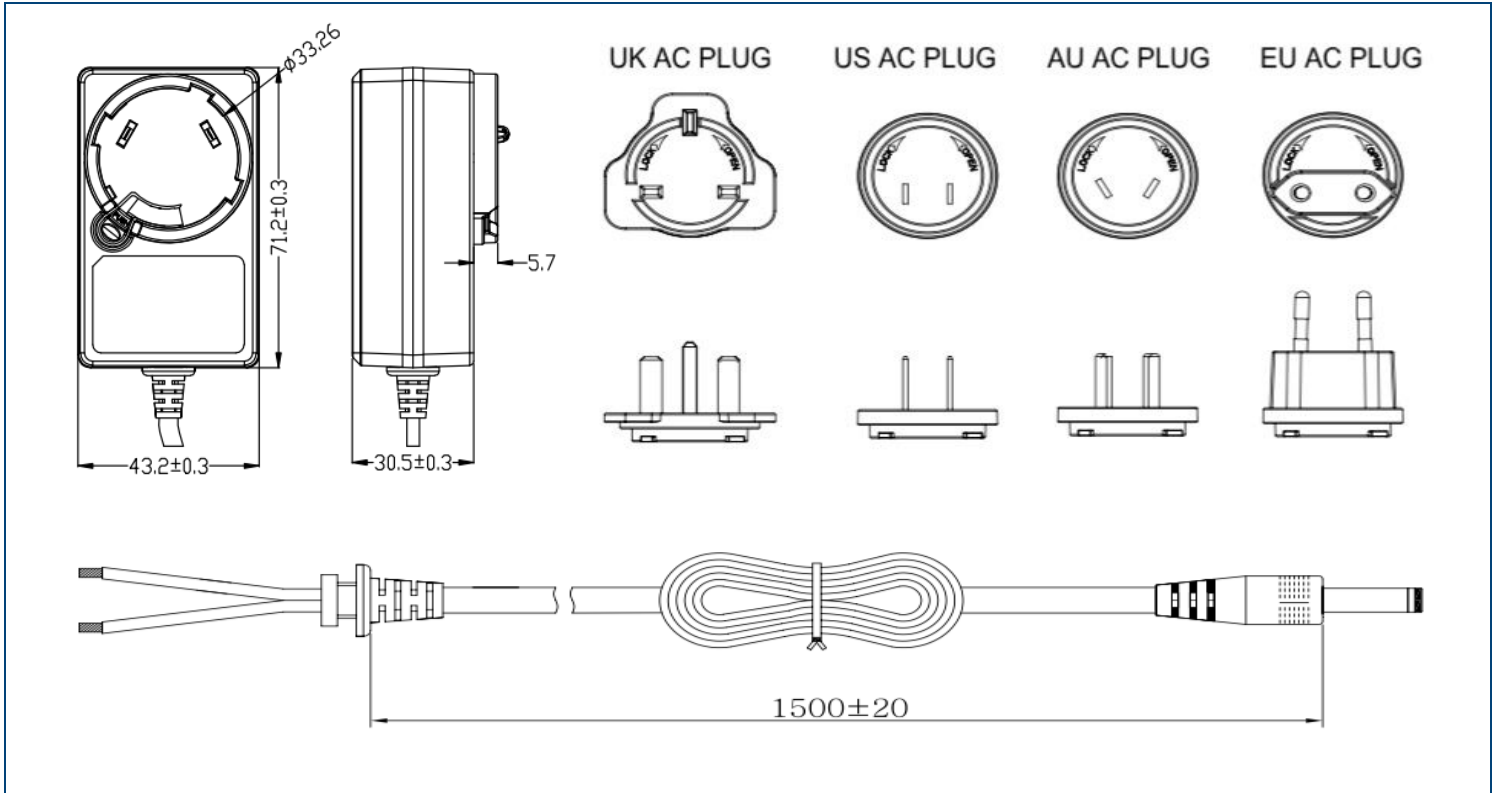
Model Number ⁽¹⁾	Input Voltage Range	Output Voltage	Output Current	Ripple & Noise	Output Power	Efficiency Level
WMICP30x-075-2000	90~264VAC	7.5V	2000mA	200mV	15~30W	Level VI
WMICP30x-090-2000		9V	2000mA	90mV		Level VI
WMICP30x-090-3000		9V	3000mA	90mV		Level VI
WMICP30x-120-1250		12V	1250mA	200mV		Level VI
WMICP30x-120-1500		12V	1500mA	120mV		Level VI
WMICP30x-120-1600		12V	1600mA	200mV		Level VI
WMICP30x-120-2000		12V	2000mA	120mV		Level VI
WMICP30x-120-2500		12V	2500mA	120mV		Level VI
WMICP30x-180-1000		18V	1000mA	150mV		Level VI
WMICP30x-240-1000		24V	1000mA	150mV		Level VI

SPECIFICATIONS					
All specifications are based on 25°C, Nominal Input Voltage, and Maximum Output Current unless otherwise noted. We reserve the right to change specifications based on technological advances.					
SPECIFICATION	TEST CONDITIONS	Min	Typ	Max	Unit
INPUT SPECIFICATIONS					
Input Voltage Range		90		264	VAC
Input Frequency		47		63	Hz
Input Current				1.2	A
Inrush Current				40	A
OUTPUT SPECIFICATIONS					
Output Voltage		See Table			
Line Regulation				1	%
Output Regulation		-5		+5	%
Output Power		See Table			
Output Current		See Table			
Ripple & Noise		See Table			
Turn On Time	Nominal	20		30	mS
Temperature Coefficient			0.05		%/°C
PROTECTION					
Short Circuit Protection		Automatic Recovery			
Over Current Protection		Automatic Recovery			
ENVIRONMENTAL SPECIFICATIONS					
Operating Temperature		10		40	°C
Storage Temperature		-20		80	°C
Humidity	Non-Condensing	5		95	%RH
Cooling		Convection			
GENERAL SPECIFICATIONS					
Insulation Resistance	Primary to Secondary	5			MΩ
Standby Power	No Load			0.1	W
Leakage Current				0.25	mA
PHYSICAL SPECIFICATIONS					
Dimensions		1.70in x 1.20in x 2.80in (43.2mm x 30.5mm x 71.2mm)			
Weight		Approx. 4.59oz (130g)			
Packing		100pcs, 13kg			
SAFETY					
Safety Approvals ⁽²⁾		UL cUL FCC CE GS PSE CCC SAA C-Tick BS BSI1363			

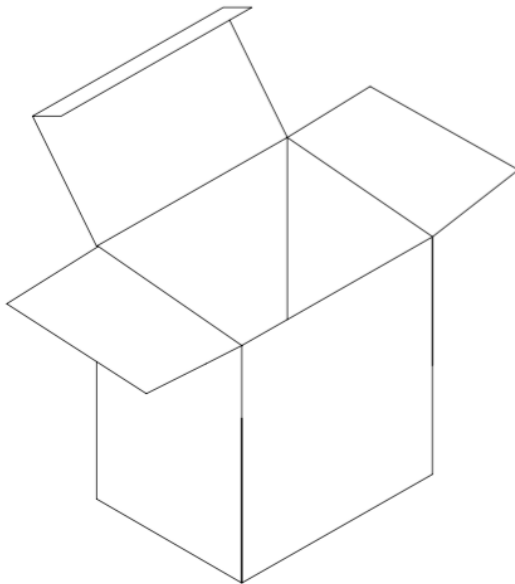
NOTES

- (1) The "x" in the model number represents interchangeable AC plug type. "x" can be "U" for US plug, "K" for UK plug, "E" for European plug, or "A" for Australia plug. Please call factory for details.
 - (2) This product is Listed to applicable standards and requirements by UL.
- *Due to advances in technology, specifications subject to change without notice.

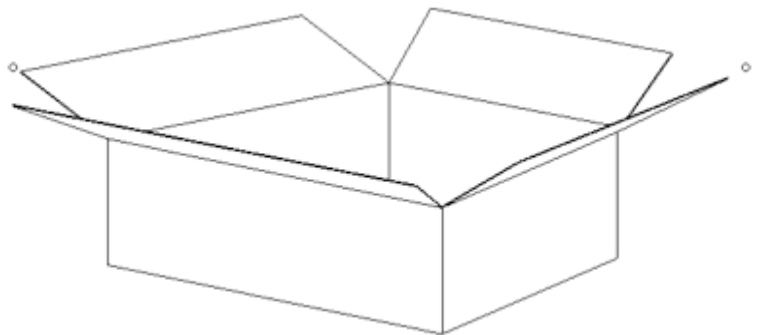
MECHANICAL DRAWINGS



PACKAGE DRAWING



White Gift Box



External Carton

Packing Details: 100pcs/carton, 13kg/carton, external carton size: 47cm x 36.5cm x 19cm

COMPANY INFORMATION

Wall Industries, Inc. has created custom and modified units for over 50 years. Our in-house research and development engineers will provide a solution that exceeds your performance requirements on-time and on budget. Our ISO9001: 2015 certification is just one example of our commitment to producing a high quality, well-documented product for our customers.

Our past projects demonstrate our commitment to you, our customer. Wall Industries, Inc. has a reputation for working closely with its customers to ensure each solution meets or exceeds form, fit and function requirements. We will continue to provide ongoing support for your project above and beyond the design and production phases. Give us a call today to discuss your future projects.

Contact **Wall Industries** for further information:

Phone: ☎ (603)778-2300
Toll Free: ☎ (888)597-9255
Fax: ☎ (603)778-9797
E-mail: sales@wallindustries.com
Web: www.wallindustries.com
Address: 37 Industrial Drive
Exeter, NH 03833

©2019 Wall Industries, Inc. Specifications subject to change without notice. Wall Industries is not responsible for typographical errors. The information contained herein is for informational purposes only. This information is provided by Wall Industries and we make no representations or warranties of any kind, express or implied, about the completeness, accuracy, reliability, suitability or availability with respect to the information contained in this document for any purpose. All product and manufacturer names are trademarks or registered trademarks of their respective companies.