



Size: 2.32 x 1.61 x 1.24 inches
59.0 x 40.89 x 31.5 mm

Weight: 4.94oz (140g)

Several other Pantone® colors available

FEATURES

- Class II
- RoHS Compliant
- Up to 12 Watts Output Power
- Light Weight, Compact
- 90-264VAC Input Voltage Range
- CEC & Energy Star Level VI Compliant
- CE, GS, UL, FCC, SAA Safety Approvals
- -20°C to +40° Operating Temperature Range
- Single Outputs Ranging from 5VDC to 24VDC
- Over Voltage, Over Current, & Short Circuit Protection
- United States, Europe, United Kingdom, and Australia Interchangeable Plugs are Available
- Models Available with Output Cable or USB Connector
- Several Pantone® Case Colors Available

DESCRIPTION

The WMICP12 series of Class II wall mount AC/DC power supplies delivers up to 12 Watts of output power in a 2.32" x 1.61" x 1.24" package. This series consists of 5V, 7.5V, 9V, 12V, 19V, and 24V single output models with an input voltage range of 90-264VAC. These supplies are protected against over voltage, over current, and short circuit conditions. The WMICP12 series is RoHS and CEC/ Energy Star Level VI compliant. These supplies also have CE, GS, UL, FCC, and SAA safety approvals. United States, Europe, United Kingdom, and Australia interchangeable plugs are available for this series. Models are available with an output cable or USB connector. Several Pantone® case colors are also available for this series.

MODEL SELECTION TABLE

Model Number ⁽¹⁾	Input Voltage Range	Output Voltage	Output Current	Ripple & Noise ⁽²⁾	Output Power	Output Connector ⁽³⁾
WMICP1205X	90 ~ 264 VAC	5 VDC	2400mA	60mVp-p	12W	with Cable
WMICP1275X		7.5 VDC	1600mA	60mVp-p	12W	
WMICP1209X		9 VDC	1200mA	90mVp-p	10.8W	
WMICP1212X		12 VDC	1000mA	120mVp-p	12W	
WMICP1219X		19 VDC	600mA	190mVp-p	11.4W	
WMICP1224X		24 VDC	500mA	240mVp-p	12W	
WMICP1205X-USB	90 ~ 264 VAC	5 VDC	2400mA	60mVp-p	12W	USB
WMICP1275X-USB		7.5 VDC	1600mA	60mVp-p	12W	
WMICP1209X-USB		9 VDC	1200mA	90mVp-p	10.8W	
WMICP1212X-USB		12 VDC	1000mA	120mVp-p	12W	
WMICP1219X-USB		19 VDC	600mA	190mVp-p	11.4W	
WMICP1224X-USB		24 VDC	500mA	240mVp-p	12W	

NOTES

1. The "X" in the model number represents the type of AC plug: "U" for United States type, "K" for United Kingdom type, "E" for Europe type, and "A" for Australia type.
2. Ripple and noise is measured at 20MHz limited bandwidth with 0.1µF ceramic and 10µF electrolytic capacitors across the output.
3. Several output connector options are available. Please call factory for ordering details.
4. Interchangeable plugs are sold separately. Please call factory for ordering details.
5. Black case is standard. Several other Pantone® colors are available; please call factory for ordering details.
6. This product is Listed to applicable standards and requirements by UL.

**Due to advances in technology, specifications subject to change without notice.*

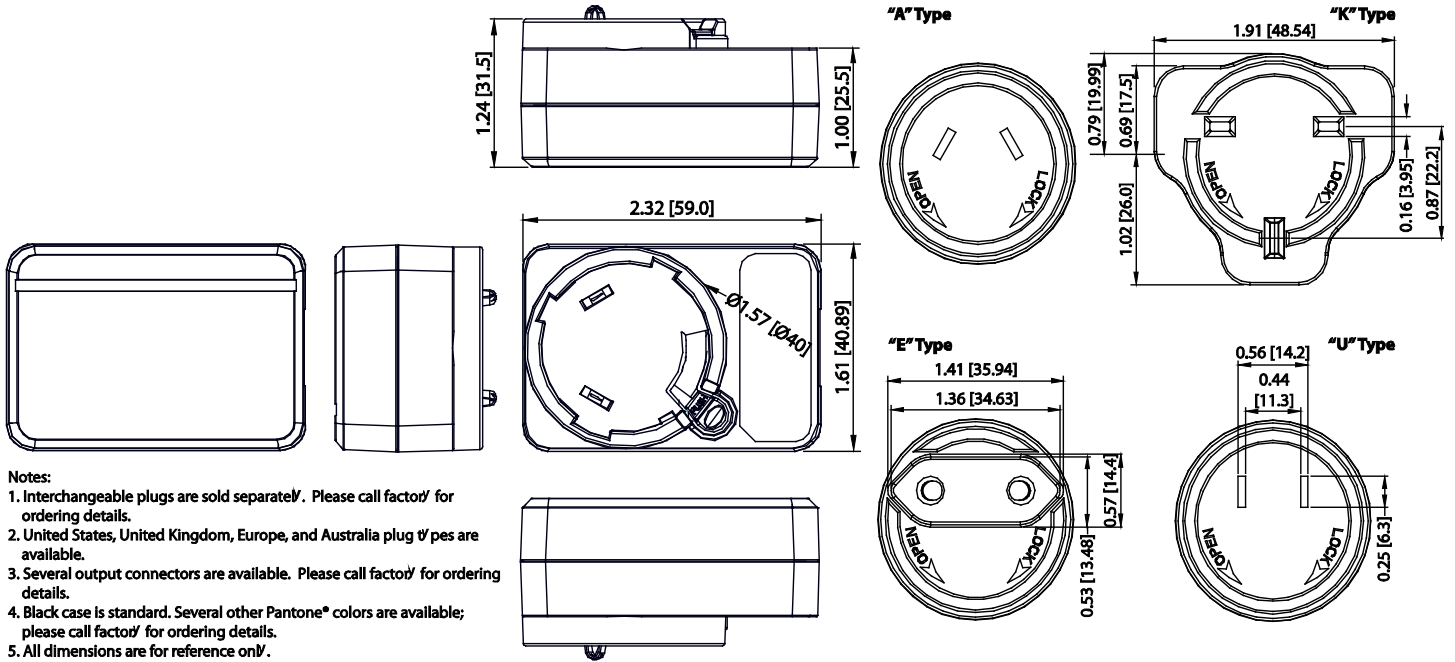
TECHNICAL SPECIFICATIONS: WMICP12 SERIES

All specifications are based on 25°C, Nominal Input Voltage, and Maximum Output Current unless otherwise noted.
 We reserve the right to change specifications based on technological advances.

SPECIFICATION	TEST CONDITIONS	Min	Typ	Max	Unit
INPUT SPECIFICATIONS					
Input Voltage	Rated input voltage range	100	115/230	240	VAC
	Full Range	90	115/230	264	
Input Frequency		47	50/60	63	Hz
Inrush Current	At 100VAC and full load			30	A
	At 240VAC and full load			75	
Input Current	At 90VAC/60Hz and full load			0.3	A
Standby Power	At 230VAC/50Hz and no load			0.3	W
OUTPUT SPECIFICATIONS					
Output Voltage		See Table			
Voltage Tolerance		-5		+5	%
Line Regulation		-1		+1	%
Load Regulation		-5		+5	%
Output Power		See Table			
Output Current		See Table			
Minimum Load		0			mA
Hold-up Time	At 100Vac/60Hz and full load	10			ms
Turn-on Delay Time	At 100Vac/60Hz and full load			3	s
Ripple & Noise (20MHz BW)	With 0.1µF ceramic and 10µF electrolytic capacitors in parallel	See Table			
PROTECTION					
Over Voltage Protection		Output shut-down; Auto recovery			
Over Current Protection		Output shut-down; Auto recovery			
Short Circuit Protection		Output shut-down; Auto restart			
GENERAL SPECIFICATIONS					
Switching Frequency			65		KHz
Efficiency	At 100~240VAC, 50/60Hz, and full load	72			%
Dielectric Withstand Voltage (I/P to O/P)	10mA/60sec	3000			VAC
Insulation (I/P to O/P)	500VDC	10			MΩ
ENVIRONMENTAL SPECIFICATIONS					
Operating Temperature		-20		+40	°C
Storage Temperature		-20		+75	°C
Operating Humidity	Non-condensing	20		90	% RH
Storage Humidity		0		90	%RH
Cooling		Free air convection			
MTBF	0.5% annual field failure rate at 25°C	50,000			hours
PHYSICAL SPECIFICATIONS					
Dimensions (L x W x H)		2.32 x 1.61 x 1.24 inch (59.0 x 40.89 x 31.5 mm)			
Weight		4.94oz (140g)			
AC Plug	See "Model Number Setup" table on page 4	Suffix "U"	United States plug		
		Suffix "K"	United Kingdom plug		
		Suffix "E"	Europe plug		
		Suffix "A"	Australia plug		
Output Connector	See "Model Number Setup" table on page 4	Output cable	Several options available		
		Suffix "-USB"	USB connector		
Case Color		Several Pantone® color options available			
SAFETY & COMPLIANCE					
Safety Approvals		UL60950 ⁽⁶⁾ , FCC Part 15 Class B, CE EN60950/EN55022, GS EN60950/EN55022, and SAA AS/NZS60950-1: 2011			
Compliance		RoHS & CEC/Energy Star Level VI compliant			

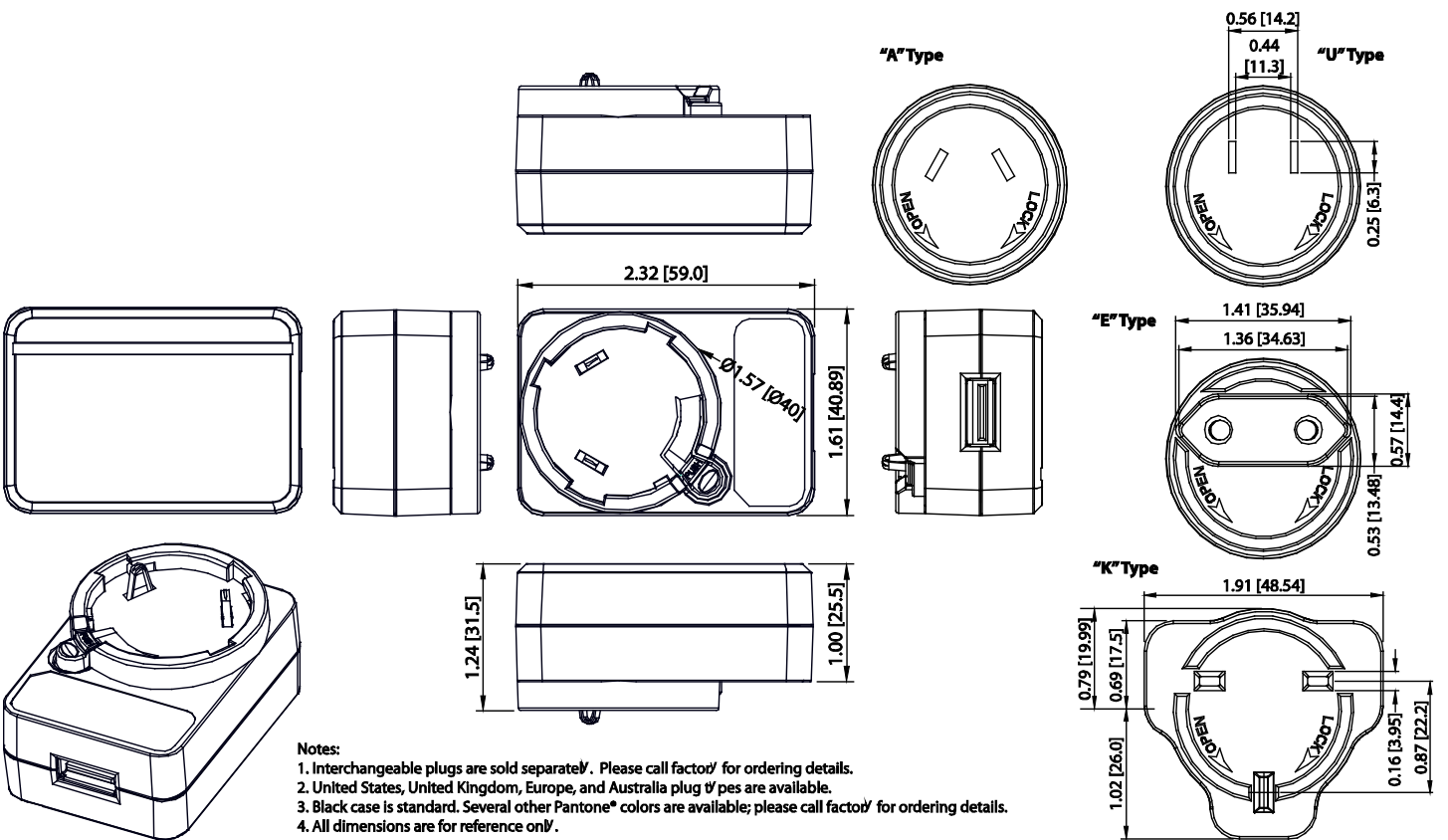
MECHANICAL DRAWING

Output Cable Models



- Notes:
1. Interchangeable plugs are sold separately. Please call factory for ordering details.
 2. United States, United Kingdom, Europe, and Australia plug types are available.
 3. Several output connectors are available. Please call factory for ordering details.
 4. Black case is standard. Several other Pantone® colors are available; please call factory for ordering details.
 5. All dimensions are for reference only.

USB Models



- Notes:
1. Interchangeable plugs are sold separately. Please call factory for ordering details.
 2. United States, United Kingdom, Europe, and Australia plug types are available.
 3. Black case is standard. Several other Pantone® colors are available; please call factory for ordering details.
 4. All dimensions are for reference only.

MODEL NUMBER SETUP

WMICP	12	24	U	-	USB	W
Series Name	Output Power	Output Voltage	AC Plug Type ⁽¹⁾		Output Connector ⁽²⁾	Case Color ⁽³⁾
	12: 12 Watts	05: 5 VDC 75: 7.5 VDC 09: 9 VDC 12: 12 VDC 19: 19 VDC 24: 24 VDC	U: United States K: United Kingdom E: Europe A: Australia		None: Output Cable USB: USB connector	None: Black W: White X: See Note 3

Notes:

1. Interchangeable plugs are sold separately. Please call factory for ordering details.
2. Several output connectors are available. Please call factory for ordering details.
3. Black case is standard. Several other Pantone® colors are available; please call factory for ordering details.

COMPANY INFORMATION

Wall Industries, Inc. has created custom and modified units for over 50 years. Our in-house research and development engineers will provide a solution that exceeds your performance requirements on-time and on budget. Our ISO9001: 2015 certification is just one example of our commitment to producing a high quality, well-documented product for our customers.

Our past projects demonstrate our commitment to you, our customer. Wall Industries, Inc. has a reputation for working closely with its customers to ensure each solution meets or exceeds form, fit and function requirements. We will continue to provide ongoing support for your project above and beyond the design and production phases. Give us a call today to discuss your future projects.

Contact **Wall Industries** for further information:

Phone: ☎ (603)778-2300
 Toll Free: ☎ (888)597-9255
 Fax: ☎ (603)778-9797
 E-mail: sales@wallindustries.com
 Web: www.wallindustries.com
 Address: 37 Industrial Drive
 Exeter, NH 03833

©2019 Wall Industries, Inc. Specifications subject to change without notice. Wall Industries is not responsible for typographical errors. The information contained herein is for informational purposes only. This information is provided by Wall Industries and we make no representations or warranties of any kind, express or implied, about the completeness, accuracy, reliability, suitability or availability with respect to the information contained in this document for any purpose. All product and manufacturer names are trademarks or registered trademarks of their respective companies.