

U Type: American



E Type: European



Size: 2.6in x 1.26in x 1.67in (66mm x 32mm x 42.5mm)

**OPTIONS**

- Plug Type
- Output Cable
- Output Voltage

**FEATURES**

- Universal Input Voltage Range of 100~240VAC
- 5~48V Models Meet EISA 2007/DoE (VI) & EU ErP/CoC (5)
- Single Outputs
- Optional Output Connectors Available
- High Efficiency
- Compact Package
- UL60950-1; CSA C22.2, EN60950-1, and IEC60950-1 Safety Approvals
- Over Voltage, Over Current, and Short Circuit Protection
- US and EU Plugs Available

**DESCRIPTION**

The WMGPSU06 series of AC/DC wall mount power supplies offers up to 6 watts of output power in a compact package. This series consists of single output models with an input range of 100 to 240VAC and either an American plug type or European plug type available. The series is protected against short circuit, over voltage, and over current conditions and 5-48V models are Efficiency Level VI compliant. This series offers high efficiency and optional output connectors are available. Please call factory for ordering details.

**MODEL SELECTION TABLE**

Model Number <sup>(1)</sup>	Input Voltage Range	Output Voltage	Output Current	Ripple & Noise	Output Power	Avg. Efficiency <sup>(2)</sup>		Efficiency Level		Measured at Output
						DoE	CoC	DoE	CoC	
WMGPSU06x-0	100~240VAC	3~5VDC	0.80~1.33A	50mV	4W	>55%	>55%	Level V	4	3.3
WMGPSU06x-1		5~6VDC	0.80~1.00A	50mV	5W	>73.62%	>73.77%	Level VI	5	5
WMGPSU06x-1-1		6~8VDC	0.75~1.00A	80mV	6W	>78.88%	>79.03%	Level VI	5	7.5
WMGPSU06x-2		8~11VDC	0.54~0.75A	80mV	6W	>78.88%	>79.03%	Level VI	5	9
WMGPSU06x-3		11~13VDC	0.46~0.54A	100mV	6W	>78.88%	>79.03%	Level VI	5	12
WMGPSU06x-4		13~16VDC	0.37~0.46A	120mV	6W	>78.88%	>79.03%	Level VI	5	15
WMGPSU06x-5		16~21VDC	0.28~0.37A	150mV	6W	>78.88%	>79.03%	Level VI	5	18
WMGPSU06x-6		21~27VDC	0.20~0.28A	180mV	6W	>78.88%	>79.03%	Level VI	5	24
WMGPSU06x-7		27~33VDC	0.18~0.20A	200mV	6W	>78.88%	>79.03%	Level VI	5	28
WMGPSU06U-8		33~48VDC	0.12~0.18A	200mV	6W	>78.88%	>79.03%	Level VI	5	48

**SPECIFICATIONS**

All specifications are based on 25°C, Nominal Input Voltage, and Maximum Output Current unless otherwise noted.  
We reserve the right to change specifications based on technological advances.

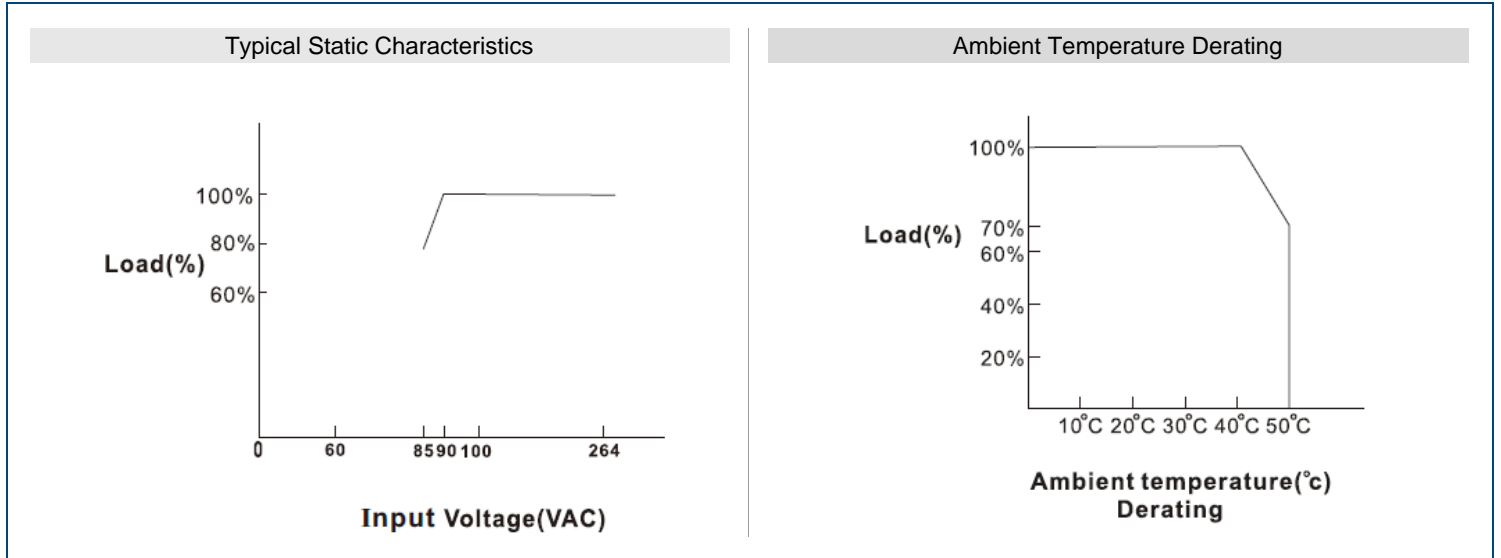
SPECIFICATION	TEST CONDITIONS	Min	Typ	Max	Unit
<b>INPUT SPECIFICATIONS</b>					
Input Voltage Range		100		240	VAC
Input Frequency		50		60	Hz
Input Current				0.2	A
Inrush Current	@115VAC at 25°C Cold Start		30		A
	@230VAC at 25°C Cold Start		60		
No Load Power Consumption	3~5V Model			0.3	W
	Others			0.075	
Leakage Current	@240VAC/50Hz			0.25	mA
<b>OUTPUT SPECIFICATIONS</b>					
Output Voltage		See Table			
Line Regulation	For any input voltage change between input voltage range			±1	%
Load Regulation	Variations from minimum to maximum output current	3~5V Model		±5.5	%
		5~11V		±5	
		11~21V		±3	
		21~48V		±2	
Output Power		See Table			
Output Current		See Table			
Ripple & Noise		See Table			
Transient Response	Maximum excursion of 4% or better on all models. Recovering to 1% of final value within 500uS after a 25% step load change				
Set-Up Time	@Full Load		3000		mS
Hold-Up Time	@Full Load		10		mS
Rise Time	@Full Load		50		mS
Temperature Coefficient	All Outputs			±0.04	%/°C
<b>PROTECTION</b>					
Short Circuit Protection	Hiccup Mode	Auto-Recovery			
Over Voltage Protection	Protected by Zener diode	110		140	%
Over Current Protection <sup>(3)</sup>	Hiccup Mode, Automatic Recovery	110			%
<b>ENVIRONMENTAL SPECIFICATIONS</b>					
Operating Temperature		0		40	°C
Storage Temperature		-40		85	°C
Relative Humidity	Non-Condensing	5		95	%RH
Derating	Derated from 100% at +40°C linearly to 70% at 50°C				
MTBF	@Full Load, 25°C ambient	100,000			hours
<b>GENERAL SPECIFICATIONS</b>					
Efficiency		See Table			
Insulation Resistance	From Input to Output	50			MΩ
Withstand Voltage	From Input to Output	4242			VDC
<b>PHYSICAL SPECIFICATIONS</b>					
Weight		2.47~3.53oz (70~100g)			
Dimensions (L x W x H)		2.6in x 1.26in x 1.67in (66mm x 32mm x 42.5mm)			
<b>SAFETY &amp; EMC CHARACTERISTICS</b>					
Safety Approvals	UL60950-1; CSA C22.2, EN60950-1, IEC60950-1				
EMC	(A) CE: Emission: EN55022, EN61000-3-2,3/Immunity: IEC61000-4-2,3,4,5,6,11 (B) FCC 47 CFR Part 15 Subpart B				

**NOTES**

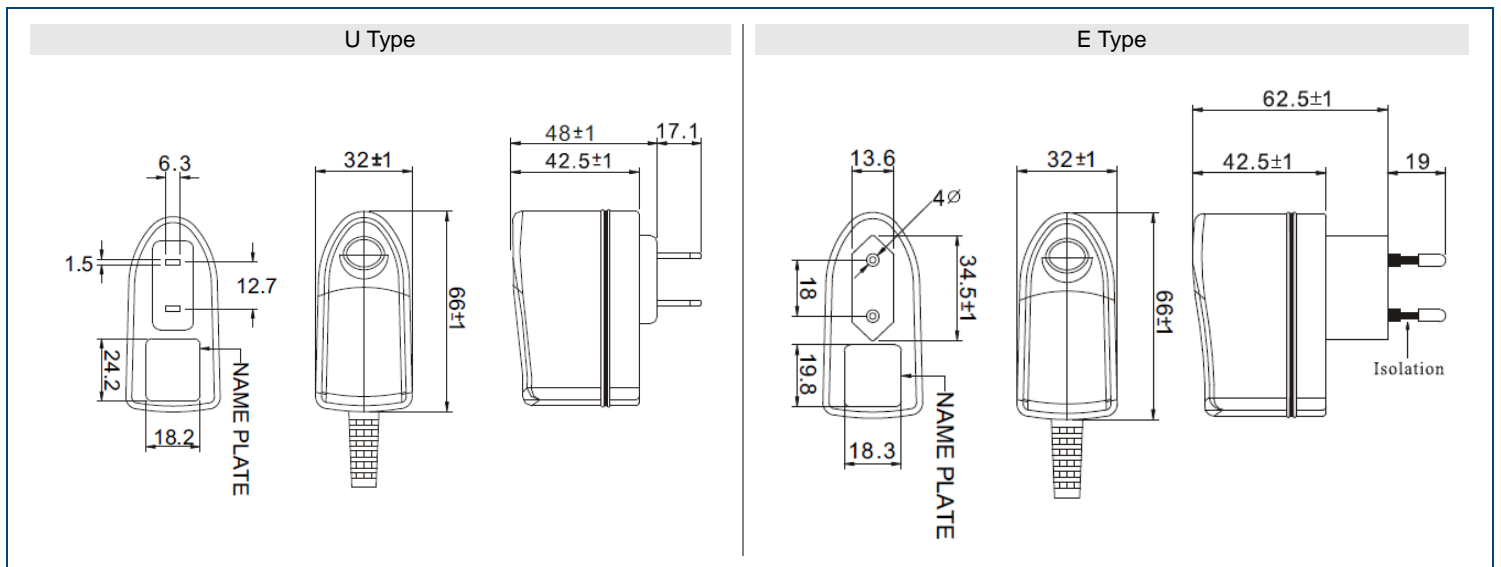
- (1) "x" in model name indicates the plug type. X can either be "U" for American Plug or "E" for European plug.
- (2) Average Efficiency: averages efficiency at 25, 50, 75, and 100% of max. rated output current.
- (3) Optional Output Connectors are available, please call factory for ordering details
- (4) Standard Output Cable to meet EISA 2007/DoE (VI) & EU ErP/CoC (5):  
5~11V: UL1185, 18AWG, 4FT  
11~48V: UL2468, 24AWG, 6FT

*Due to advances in technology, specifications subject to change without notice.*

DERATING CURVES



MECHANICAL DRAWINGS



---

## COMPANY INFORMATION

Wall Industries, Inc. has created custom and modified units for over 50 years. Our in-house research and development engineers will provide a solution that exceeds your performance requirements on-time and on budget. Our ISO9001-2008 certification is just one example of our commitment to producing a high quality, well-documented product for our customers.

Our past projects demonstrate our commitment to you, our customer. Wall Industries, Inc. has a reputation for working closely with its customers to ensure each solution meets or exceeds form, fit and function requirements. We will continue to provide ongoing support for your project above and beyond the design and production phases. Give us a call today to discuss your future projects.

Contact **Wall Industries** for further information:

Phone: ☎ (603)778-2300  
Toll Free: ☎ (888)597-9255  
Fax: ☎ (603)778-9797  
E-mail: [sales@wallindustries.com](mailto:sales@wallindustries.com)  
Web: [www.wallindustries.com](http://www.wallindustries.com)  
Address: 37 Industrial Drive  
Exeter, NH 03833