

United States ("U" Suffix)



Size: 2.98 x 1.69 x 1.19 inches

United Kingdom ("K" Suffix)



Size: 2.98 x 1.69 x 1.19 inches

Europe ("E" Suffix)



Size: 2.98 x 1.69 x 1.19 inches

Australia ("A" Suffix)



Size: 2.98 x 1.69 x 1.19 inches

**FEATURES**

- RoHS & WEEE Compliant
- 90-264VAC Input Voltage Range
- 16~36 Watts Output Power
- Over Voltage & Short Circuit Protection
- 0 to +40°C Operating Temperature Range
- Single Outputs Ranging from 5VDC to 48VDC
- Several Output Connector Options Available
- CEC Level V, VI Compliant
- CB, CE, FCC Approvals
- UL/cUL 60601-1: 3rd Edition Medical Approval
- United States, United Kingdom, Europe, and Australia Plug Types Available

**DESCRIPTION**

The WMEM1024 series of AC/DC wall mount power supplies provides up to 36 watts of output power in a 2.98" x 1.69" x 1.19" package. This series consists of single output models ranging from 5VDC to 48VDC with an input voltage range of 90~264VAC. This series is RoHS and WEEE compliant and meets CEC Level V, VI requirements. This series also has UL/cUL 60601-1 medical approval. These supplies are protected against over voltage and short circuit conditions. Models are available in United States (U suffix), United Kingdom (K suffix), Europe (E suffix), and Australia (A suffix) types.

**MODEL SELECTION TABLE**

Model Number (1)	Input Voltage Range	Output Voltage (2)	Output Current		Load Regulation	Line Regulation	Ripple & Noise (3)	Output Power
			Min	Max				
WMEM1024Ax	100 ~ 240 VAC	5 ~ 8 VDC	0A	2.0A	±5%	±1%	100mVp-p	16W
WMEM1024Bx		5 ~ 8 VDC	0A	3.0A	±5%	±1%	100mVp-p	20W
WMEM1024Cx		5 ~ 8 VDC	0A	4.0A	±5%	±1%	100mVp-p	24W
WMEM1024Dx		9 ~ 11 VDC	0A	1.5A	±5%	±1%	250mVp-p	18W
WMEM1024Ex		9 ~ 11 VDC	0A	2.0A	±5%	±1%	250mVp-p	24W
WMEM1024Fx		9 ~ 11 VDC	0A	3.0A	±5%	±1%	250mVp-p	27W
WMEM1024Gx		12 ~ 17 VDC	0A	1.66A	±5%	±1%	250mVp-p	20W
WMEM1024Hx		12 ~ 17 VDC	0A	2.5A	±5%	±1%	250mVp-p	30W
WMEM1024Jx		18 ~ 24 VDC	0A	1.33A	±5%	±1%	350mVp-p	24W
WMEM1024Kx		18 ~ 24 VDC	0A	1.66A	±5%	±1%	350mVp-p	30W
WMEM1024Mx		36 ~ 48 VDC	0A	0.55A	±5%	±1%	480mVp-p	20W
WMEM1024Nx		36 ~ 48 VDC	0A	0.83A	±5%	±1%	480mVp-p	30W
WMEM1024Px		12 VDC	0A	3.0A	±5%	±1%	250mVp-p	36W
WMEM1024Qx		12 VDC	0A	2.0A	±5%	±1%	250mVp-p	24W
WMEM1024Rx		24 VDC	0A	1.5A	±5%	±1%	350mVp-p	36W

**NOTES**

1. The "x" in the model number represents the type of plug: "x" can be "U" for United States type, "K" for United Kingdom type, "E" for Europe type, or "A" for Australia type.
2. The output voltage is specified as a range (Ex: 36~48 VDC); the customer must specify what they want the voltage set at.
3. Ripple and Noise is measured at nominal line and full load with 20MHz bandwidth and a 0.1µF ceramic capacitor and 47µF aluminum capacitors in parallel across the output.
4. Optional output connectors are available. Please call factory for ordering details.
5. This product is Listed to applicable standards and requirements by UL.  
*\*Due to advances in technology, specifications subject to change without notice.*

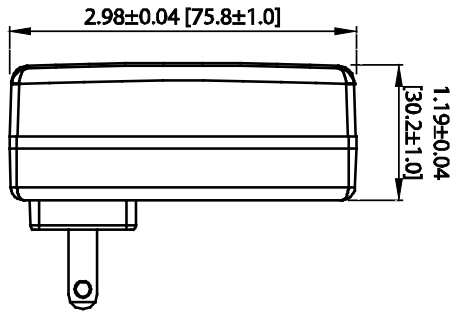
**SPECIFICATIONS: WMEM1024 SERIES**

All specifications are based on 25°C, Nominal Input Voltage, and Maximum Output Current unless otherwise noted.  
We reserve the right to change specifications based on technological advances.

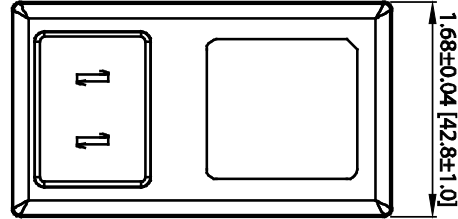
SPECIFICATION	TEST CONDITIONS	Min	Typ	Max	Unit
<b>INPUT SPECIFICATIONS</b>					
Input Voltage	Rated input voltage range	100	115/230	240	VAC
	Operating input voltage range	90	115/230	264	
Input Frequency		47	50/60	63	Hz
Input Current		0.5		1.0	A
Inrush Current	Cold start			60	A
<b>OUTPUT SPECIFICATIONS</b>					
Output Voltage		See Table			
Line Regulation		-1		+1	%
Load Regulation		-5		+5	%
Output Power		See Table			
Output Current		See Table			
Minimum Load		0			mA
Ripple & Noise	20MHz limited bandwidth	See Table			
Hold-Up Time		8.3			ms
Turn-on Time		3			s
<b>PROTECTION</b>					
Over Voltage Protection		Automatic recovery			
Short Circuit Protection		Automatic recovery			
<b>GENERAL SPECIFICATIONS</b>					
Efficiency		Meets CEC Level V, VI			
Withstand Voltage	5mA, 2 sec between primary and secondary	4000			VAC
Isolation Resistance	500VDC, 3 seconds between primary and secondary	50			MΩ
Leakage Current	240VAC/50Hz			100	μA
<b>ENVIRONMENTAL SPECIFICATIONS</b>					
Operating Temperature		0		+40	°C
Storage Temperature		-20		+85	°C
Operating Humidity		10		90	%
Storage Humidity		5		95	%
Cooling		Free air convection			
MTBF		30,000			hours
<b>PHYSICAL SPECIFICATIONS</b>					
Dimensions (L x W x H)		2.98 x 1.69 x 1.19 inch (75.8 x 42.8 x 30.2 mm)			
Weight		7.05oz (200g)			
Output Connector		Contact factory for options			
AC Plug Types	"U" suffix	United States			
	"K" suffix	United Kingdom			
	"E" suffix	Europe			
	"A" suffix	Australia			
<b>SAFETY &amp; COMPLIANCE</b>					
Compliance		RoHS, WEEE, and CEC Level V, VI			
Safety Approvals		UL/cUL 60601-1: 3rd Edition <sup>(5)</sup>			
		CB, CE, FCC			

**MECHANICAL DRAWINGS**

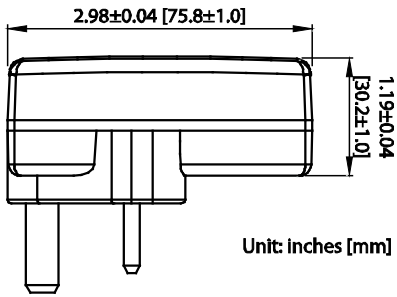
United States ("U" Suffix)



Unit: inches [mm]

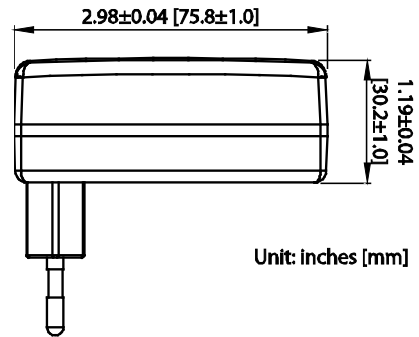


United Kingdom ("K" Suffix)



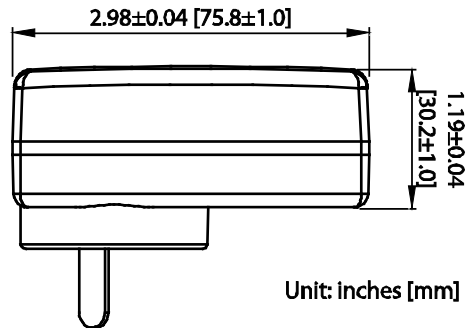
Unit: inches [mm]

Europe ("E" Suffix)



Unit: inches [mm]

Australia ("A" Suffix)



Unit: inches [mm]

*Optional output connectors available. Please call factory for ordering details*

---

**COMPANY INFORMATION**

Wall Industries, Inc. has created custom and modified units for over 50 years. Our in-house research and development engineers will provide a solution that exceeds your performance requirements on-time and on budget. Our ISO9001: 2015 certification is just one example of our commitment to producing a high quality, well-documented product for our customers.

Our past projects demonstrate our commitment to you, our customer. Wall Industries, Inc. has a reputation for working closely with its customers to ensure each solution meets or exceeds form, fit and function requirements. We will continue to provide ongoing support for your project above and beyond the design and production phases. Give us a call today to discuss your future projects.

Contact **Wall Industries** for further information:

Phone: ☎ (603)778-2300  
Toll Free: ☎ (888)597-9255  
Fax: ☎ (603)778-9797  
E-mail: [sales@wallindustries.com](mailto:sales@wallindustries.com)  
Web: [www.wallindustries.com](http://www.wallindustries.com)  
Address: 37 Industrial Drive  
Exeter, NH 03833

©2019 Wall Industries, Inc. Specifications subject to change without notice. Wall Industries is not responsible for typographical errors. The information contained herein is for informational purposes only. This information is provided by Wall Industries and we make no representations or warranties of any kind, express or implied, about the completeness, accuracy, reliability, suitability or availability with respect to the information contained in this document for any purpose. All product and manufacturer names are trademarks or registered trademarks of their respective companies.