

United States ("U" Suffix)



Size: 3.94 x 1.59 x 1.22 inches

United Kingdom ("K" Suffix)



Size: 3.94 x 1.59 x 1.22 inches

Europe ("E" Suffix)



Size: 3.94 x 1.59 x 1.22 inches

Australia ("A" Suffix)



Size: 3.94 x 1.59 x 1.22 inches

China ("C" Suffix)



Size: 3.94 x 1.59 x 1.22 inches

FEATURES

- Class II
- 12V & 24V Single Output Models
- RoHS & WEEE Compliant
- 90-264VAC Input Voltage Range
- 36 Watts Output Power
- Over Voltage & Short Circuit Protection
- 0 to +40°C Operating Temperature Range
- Several Output Connector Options Available
- CEC / Energy Star Level V Compliant
- UL/cUL, FCC, CCC, CE, CB, PSE, & DoIR+C-Tick Safety Approvals
- Meets FCC Part 15 Class B and EN 55022 Class B
- United States, United Kingdom, Europe, Australia, & China Plug Types Available

DESCRIPTION

The WMEA1036 series of class II AC/DC wall mount power supplies provides 36 watts of output power in a 3.94" x 1.59" x 1.22" package. This series consists of 12V and 24V single output models with an input voltage range of 90~264VAC. This series is RoHS, WEEE, and CEC/ Energy Star Level V compliant. This series also meets FCC Part 15 class B and EN 55022 class B emission limits and has UL/cUL, FCC, CCC, and PSE safety approvals. These supplies are protected against over voltage and short circuit conditions. Models are available in United States (U suffix), United Kingdom (K suffix), Europe (E suffix), Australia (A suffix), and China (C suffix) types.

MODEL SELECTION TABLE

Model No ⁽¹⁾	Input Voltage Range	Output Voltage	Output Current	Ripple & Noise	Output Power	Efficiency	Plug Type ⁽¹⁾
WMEA1036U	100~240 VAC	12VDC	3A	120mVp-p	36W	75%	United States
WMEA1036DU		24 VDC	1.5A	240mVp-p	36W	80%	
WMEA1036K	100~240 VAC	12VDC	3A	120mVp-p	36W	75%	United Kingdom
WMEA1036DK		24 VDC	1.5A	240mVp-p	36W	80%	
WMEA1036E	100~240 VAC	12VDC	3A	120mVp-p	36W	75%	Europe
WMEA1036DE		24 VDC	1.5A	240mVp-p	36W	80%	
WMEA1036A	100~240 VAC	12VDC	3A	120mVp-p	36W	75%	Australia
WMEA1036DA		24 VDC	1.5A	240mVp-p	36W	80%	
WMEA1036C	100~240 VAC	12VDC	3A	120mVp-p	36W	75%	China
WMEA1036DC		24 VDC	1.5A	240mVp-p	36W	80%	

NOTES

1. The suffix in the model number represents the type of plug: "U" for United States type, "K" for United Kingdom type, "E" for Europe type, "A" for Australia type, and "C" for China type.
 2. Optional output connectors available. Please call factory for ordering details.
 3. This product is Listed to applicable standards and requirements by UL.
- *Due to advances in technology, specifications subject to change without notice.*

SPECIFICATIONS: WMEA1036 SERIES

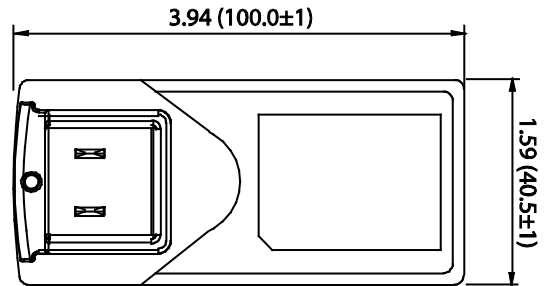
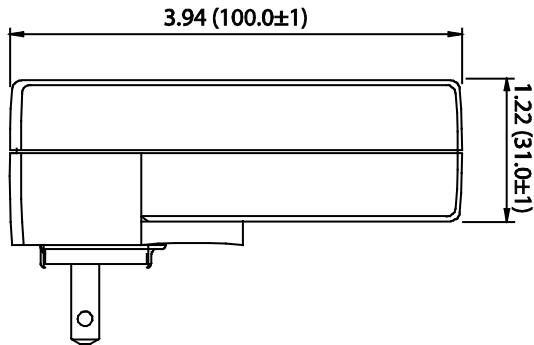
All specifications are based on 25°C, Nominal Input Voltage, and Maximum Output Current unless otherwise noted.
We reserve the right to change specifications based on technological advances.

SPECIFICATION	TEST CONDITIONS	Min	Typ	Max	Unit
INPUT SPECIFICATIONS					
Input Voltage	Rated input voltage range	100	115/230	240	VAC
	Operating input voltage range	90	115/230	264	
Input Frequency		47	50/60	63	Hz
Input Current				1	A
Inrush Current				60	A
Stand-by Power	230VAC/50Hz and no load			0.3	W
OUTPUT SPECIFICATIONS					
Output Voltage		See Table			
Line Regulation		-1		+1	%
Load Regulation		-5		+5	%
Output Power				36	W
Output Current		See Table			
Minimum Load		0			mA
Ripple & Noise	20MHz limited bandwidth	-1		+1	%
Hold-Up Time		8.3			ms
Turn-on Time		3			s
PROTECTION					
Over Voltage Protection		Automatic recovery			
Short Circuit Protection		Automatic recovery			
GENERAL SPECIFICATIONS					
Efficiency		See Table			
ENVIRONMENTAL SPECIFICATIONS					
Operating Temperature		0		+40	°C
Storage Temperature		-20		+85	°C
Storage Humidity		5		95	% RH
Cooling		Free air convection			
MTBF		30,000			hours
PHYSICAL SPECIFICATIONS					
Dimensions (L x W x H)		3.94 x 1.59 x 1.22 inches (100.0 x 40.5 x 31.0 mm)			
Weight		7.76oz (220g)			
Output Connector		Contact factory for options			
AC Plug Types	"U" suffix	United States			
	"K" suffix	United Kingdom			
	"E" suffix	Europe			
	"A" suffix	Australia			
	"C" suffix	China			
SAFETY & COMPLIANCE					
Safety		Class II			
Compliance		RoHS, WEEE, and CEC/Energy Star Level V			
Safety Approvals ⁽³⁾		UL/cUL UL 60065, UL60950, EN/IEC 60065, EN/IEC 60950, CCC, FCC, CE, CB, DoIR+C-Tick, PSE			

MECHANICAL DRAWINGS

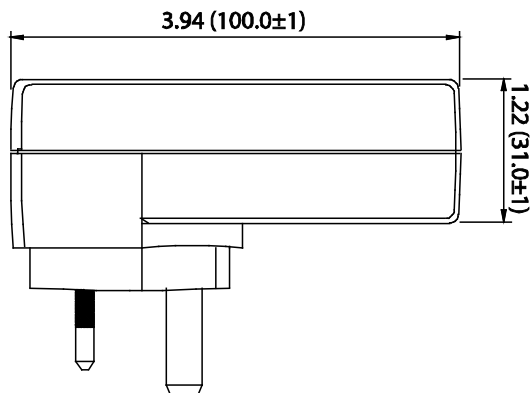
United States ("U" Suffix)

Unit: inches (mm)



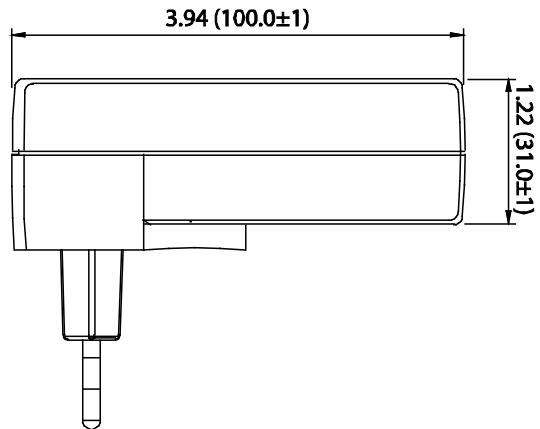
United Kingdom ("K" Suffix)

Unit: inches (mm)



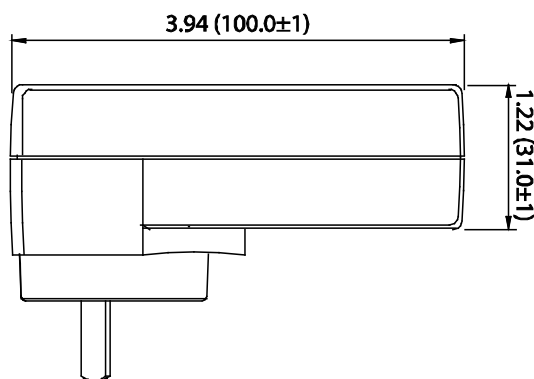
Europe ("E" Suffix)

Unit: inches (mm)



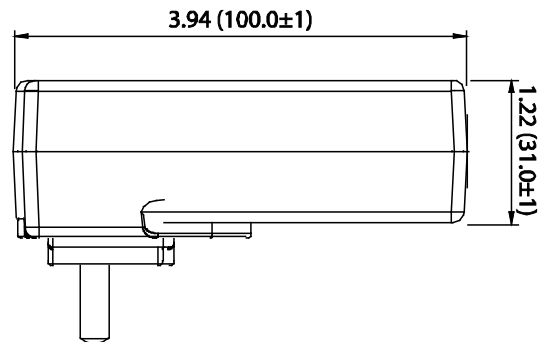
Australia ("A" TYPE)

Unit: inches (mm)



China ("C" Suffix)

Unit: inches (mm)



Optional output connectors available. Please call factory for ordering details

COMPANY INFORMATION

Wall Industries, Inc. has created custom and modified units for over 50 years. Our in-house research and development engineers will provide a solution that exceeds your performance requirements on-time and on budget. Our ISO9001: 2015 certification is just one example of our commitment to producing a high quality, well-documented product for our customers.

Our past projects demonstrate our commitment to you, our customer. Wall Industries, Inc. has a reputation for working closely with its customers to ensure each solution meets or exceeds form, fit and function requirements. We will continue to provide ongoing support for your project above and beyond the design and production phases. Give us a call today to discuss your future projects.

Contact **Wall Industries** for further information:

Phone: ☎ (603)778-2300
Toll Free: ☎ (888)597-9255
Fax: ☎ (603)778-9797
E-mail: sales@wallindustries.com
Web: www.wallindustries.com
Address: 37 Industrial Drive
Exeter, NH 03833

©2019 Wall Industries, Inc. Specifications subject to change without notice. Wall Industries is not responsible for typographical errors. The information contained herein is for informational purposes only. This information is provided by Wall Industries and we make no representations or warranties of any kind, express or implied, about the completeness, accuracy, reliability, suitability or availability with respect to the information contained in this document for any purpose. All product and manufacturer names are trademarks or registered trademarks of their respective companies.