

**OPTIONS**

- AC Plug Type (USA, EU, or UK)
- Horizontal or Vertical Case
- USB or SR Output Type

**FEATURES**

- 6 Watts of Output Power
- Input Range of 100 to 240VAC
- Output Voltages Ranging from 5V~12V
- Over Voltage, Over Current, and Short Circuit Protection
- MTBF > 30,000 Hours
- RoHS Compliant
- Level VI Compliant
- US, EU, and UK Plugs Available
- Horizontal or Vertical Case Available
- USB or SR Output Available
- UL/cUL UL60950, UL60065, CB, CE, and FCC Safety Approvals

**DESCRIPTION**

The WMEA1005 series of AC DC wall mount power supplies provides 6 watts of output power in a compact package. This series consists of single output models that have an input range of 100 to 240VAC and output voltages ranging from 5V to 12V. Several different options are available for this series; AC plug type can either be USA, EU, or a UK plug, case type can either be horizontal or vertical, and output type can either be USB or SR type. This series is both RoHS and Level VI compliant, and has UL/cUL, UL60950, UL60065, CB, CE, and FCC safety approvals. Please call factory for order details.

**MODEL SELECTION TABLE**

Vertical Models								
Model Number <sup>(1)</sup>	Input Voltage Range	Output Voltage	Output Current		Ripple & Noise <sup>(2)</sup>	Output Type	Output Power	Efficiency Level
			Min Load	Max Load				
WMEA1005AVxS	100~240VAC	5~8V	0A	1.2A	100mV	SR	6W	Level VI
WMEA1005AVxU						USB		
WMEA1005BVxS	100~240VAC	9~12	0A	0.66A	180mV	SR	6W	Level VI
WMEA1005BVxU						USB		
WMEA1005CVxS	100~240VAC	9V	0A	0.5A	180mV	SR	4.5W	Level VI
WMEA1005CVxU						USB		
WMEA1005DVxS	100~240VAC	9V	0A	0.67A	180mV	SR	6W	Level VI
WMEA1005DVxU						USB		

**MODEL SELECTION TABLE**

Horizontal Models								
Model Number <sup>(1)</sup>	Input Voltage Range	Output Voltage	Output Current		Ripple & Noise <sup>(2)</sup>	Output Type	Output Power	Efficiency Level
			Min Load	Max Load				
WMEA1005AHxS	100~240VAC	5~8V	0A	1.2A	100mV	SR	6W	Level VI
WMEA1005AHxU						USB		
WMEA1005BHxS	100~240VAC	9~12	0A	0.66A	180mV	SR	6W	Level VI
WMEA1005BHxU						USB		
WMEA1005CHxS	100~240VAC	9V	0A	0.5A	180mV	SR	4.5W	Level VI
WMEA1005CHxU						USB		
WMEA1005DHxS	100~240VAC	9V	0A	0.67A	180mV	SR	6W	Level VI
WMEA1005DHxU						USB		

**SPECIFICATIONS**

All specifications are based on 25°C, Nominal Input Voltage, and Maximum Output Current unless otherwise noted.  
We reserve the right to change specifications based on technological advances.

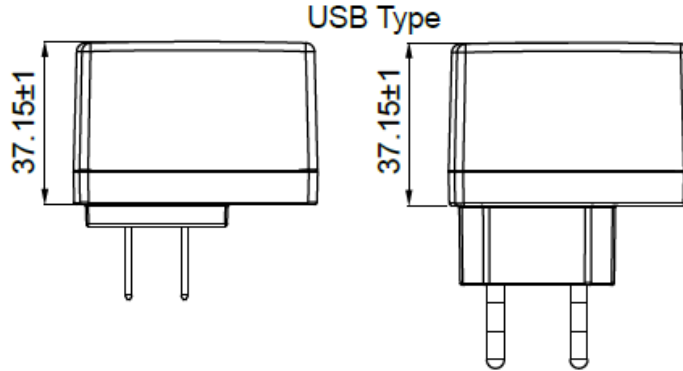
SPECIFICATION	TEST CONDITIONS		Min	Typ	Max	Unit
<b>INPUT SPECIFICATIONS</b>						
Input Voltage Range			100		240	VAC
Input Frequency			50		60	Hz
Input Current				≤0.6		A
Inrush Current				≤60		A
<b>OUTPUT SPECIFICATIONS</b>						
Output Voltage			See Table			
Line Regulation <sup>(3)</sup>			-1		+1	%
Load Regulation			-5		+5	%
Output Power					6	W
Output Current			See Table			
Ripple & Noise (20MHz bandwidth)			See Table			
Hold Up Time				≥8.3		mS
Turn On Time				≤3		S
<b>PROTECTION</b>						
Short Circuit Protection			Automatic Recovery			
Over Current Protection			Automatic Recovery			
Over Voltage Protection			Automatic Recovery			
<b>ENVIRONMENTAL SPECIFICATIONS</b>						
Operating Temperature			0		40	°C
Storage Temperature			-20		85	°C
Operating Humidity			10		90	%
Storage Humidity			5		95	%
MTBF			100,000			hours
<b>PHYSICAL SPECIFICATIONS</b>						
Weight			2.47oz (70g)			
Dimensions (L x W x H)	Vertical Models	US and EU Models	2.10in x 1.61in x 1.16in (53.46mm x 41mm x 29.4mm)			
		UK Models	2.10in x 1.61in x 1.37in (53.46in x 41mm x 34.77mm)			
	Horizontal Models	USB	2.19in x 1.07in x 1.46in (55.6mm x 27.1mm x 37.15mm)			
		SR	2.17in x 0.98in x 1.44in (55mm x 25mm x 36.7mm)			
<b>SAFETY</b>						
Safety Approvals			UL/cUL <sup>(5)</sup>			
			CB			
			CE			
			FCC			
			CCC			

**NOTES**

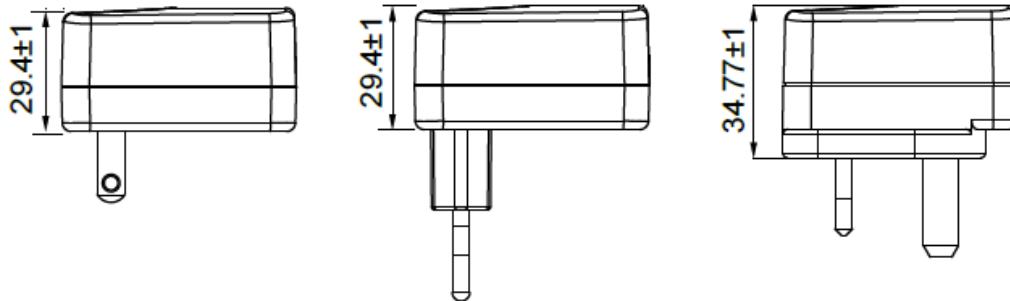
- (1) "x" in model number indicates the AC Plug type. "x" can either be "U" for US Plug, "E" for EU Plug, or "K" for UK Plug. Please note that UK plug is only available in vertical case form.
  - (2) Ripple & Noise is measured by using 20MHz bandwidth limited oscilloscope and terminated each output with a 0.1µF ceramic capacitor & parallel with 47µF aluminum capacitor at dull load and nominal line.
  - (3) Line regulation is defined by changing ±10% of input voltage from nominal line at rated load.
  - (4) Certificates listed are for reference only. Please call factory for details.
  - (5) This product is Listed to applicable standards and requirements by UL.
- \*Due to advances in technology, specifications subject to change without notice.*

MECHANICAL DRAWINGS

Horizontal (USB & SR Types)



Vertical (USB & SR Types)



- Case Size: Horizontal: USB: 55.6L x 27.1W x 37.15H (mm)  
SR: 55L x 25W x 36.7H (mm)  
Vertical: USA, EU: 53.46L x 41W x 29.4H (mm)  
UK: 53.46L x 41W x 34.77H (mm)
- AC Plug: • K: UK Pin • U: USA Pin • E: EU Pin
- Weight: 70g

MODEL NUMBER SETUP

WMEA1005	B	V	U	S
Series Name	Output Voltage Range	Case Type	AC Plug Type	Output Type
	A: 5~8V B: 9~12V C: 9V D: 9V	V: Vertical H: Horizontal	U: USA E: EU K: UK	U: USB S: SR

---

**COMPANY INFORMATION**

---

Wall Industries, Inc. has created custom and modified units for over 50 years. Our in-house research and development engineers will provide a solution that exceeds your performance requirements on-time and on budget. Our ISO9001: 2015 certification is just one example of our commitment to producing a high quality, well-documented product for our customers.

Our past projects demonstrate our commitment to you, our customer. Wall Industries, Inc. has a reputation for working closely with its customers to ensure each solution meets or exceeds form, fit and function requirements. We will continue to provide ongoing support for your project above and beyond the design and production phases. Give us a call today to discuss your future projects.

Contact **Wall Industries** for further information:

Phone: ☎ (603)778-2300  
Toll Free: ☎ (888)597-9255  
Fax: ☎ (603)778-9797  
E-mail: [sales@wallindustries.com](mailto:sales@wallindustries.com)  
Web: [www.wallindustries.com](http://www.wallindustries.com)  
Address: 37 Industrial Drive  
Exeter, NH 03833

©2019 Wall Industries, Inc. Specifications subject to change without notice. Wall Industries is not responsible for typographical errors. The information contained herein is for informational purposes only. This information is provided by Wall Industries and we make no representations or warranties of any kind, express or implied, about the completeness, accuracy, reliability, suitability or availability with respect to the information contained in this document for any purpose. All product and manufacturer names are trademarks or registered trademarks of their respective companies.