



Size: 2.68in x 1.57in x 1.04in (68mm x 40mm x 26.4mm)

FEATURES

- Universal Input 90~264VAC
- DoE/ErP Level VI Efficiency Compliant
- RoHS Compliant
- In Line or Side Entry Case
- Interchangeable plug for US, EU, SAA, UK 3C type
- MTBF > 30,000 hours
- Class II

DESCRIPTION

The WMBA018 series of AC/DC wall mount power supplies provides 18 watts of continuous output power. This series consists of models with a 90~264VAC input voltage range and output voltages ranging from 5V to 56V. All units are RoHS and efficiency Level VI compliant and meet IEC/EN60950-1, UL/CUL60950-1, BSMI, CCC, KC, PSE, SAA safety approvals. The WMBA018 series offers 3 plug types: US, Australia, and UK as well as an in-line (with or without USB) or side entry case.

MODEL SELECTION TABLE

Model Number	Input Voltage Range	Output Voltage	Output Current	Ripple & Noise	Output Power	Efficiency
WMBA018005-YX	90~264VAC	5V~8.9V	3.0A	200mV	18W	>85%
WMBA018089-YX		5V~8.9V	3.0A	200mV	18W	>85%
WMBA018009-YX		9V~11.9V	2A	200mV	18W	>85%
WMBA018119-YX		9V~11.9V	2A	200mV	18W	>85%
WMBA018012-YX		12V~17.9V	1.5A	200mV	18W	>85%
WMBA018015-YX		15V	1.2A	200mV	18W	>85%
WMBA018179-YX		12V~17.9V	1.5A	200mV	18W	>85%
WMBA018018-YX		18V~23.9V	1A	200mV	18W	>85%
WMBA018239-YX		18V~23.9V	1A	200mV	18W	>85%
WMBA018024-YX		24V~34.9V	0.75A	200mV	18W	>85%
WMBA018349-YX		24V~34.9V	0.75A	200mV	18W	>85%
WMBA018035-YX		35~56V	0.51A	200mV	18W	>85%
WMBA018056-YX		35~56V	0.51A	200mV	18W	>85%

SPECIFICATIONS

All specifications are based on 25°C, Nominal Input Voltage, and Maximum Output Current unless otherwise noted. We reserve the right to change specifications based on technological advances.

SPECIFICATION	TEST CONDITIONS	Min	Typ	Max	Unit
INPUT SPECIFICATIONS					
Input Voltage Range		90		264	VAC
Input Frequency			50/60		Hz
Input Current				0.5	A
Inrush Current	@Cold Start		80		A
OUTPUT SPECIFICATIONS					
Output Voltage		See Table			
Line Regulation			5		%
Load Regulation			5		%
Output Power		See Table			
Output Current		See Table			
Ripple & Noise		See Table			
PROTECTION					
Short Circuit Protection		Auto-Recovery			
Over Current Protection		Auto-Recovery			
ENVIRONMENTAL SPECIFICATIONS					
Operating Temperature		0		40	°C
Storage Temperature		-20		85	°C
Storage Humidity		5		95	%
MTBF			>30,000		Hrs
GENERAL SPECIFICATIONS					
Efficiency		See Table			
PHYSICAL SPECIFICATIONS					
Weight	Side Entry	In-Line			
	US Plug: 3.50 oz (99.3g)	US Plug: 3.4 oz (96.1g)			
	Australia Plug: 3.47 oz (98.5g)	Australia Plug: 3.45 (97.8g)			
	UK Plug: 4.03 oz (114.2g)	UK Plug: 3.96 (112.3g)			
Dimensions (L x W x H)		2.68in x 1.57in x 1.04in (68mm x 40mm x 26.4mm)			
SAFETY & EMC CHARACTERISTICS					
Safety Approvals		IEC/EN60950-1, UL/CUL60950-1, BSMI, CCC, KC, PSE, SAA			
EMC		EN55022, EN55024, EN61000-3-2, EN61000-3-3, FCC Part 15B			

NOTES

1. "Y" in model number stands for package style. "Y" can either be "1" For Side Entry Case, "2" For In Line Case with USB, or "3" for In Line Case without USB.

"X" in model number stands for plug type. "X" can either be "U" for US plug, "K" for UK plug, "A" for Aus plug.

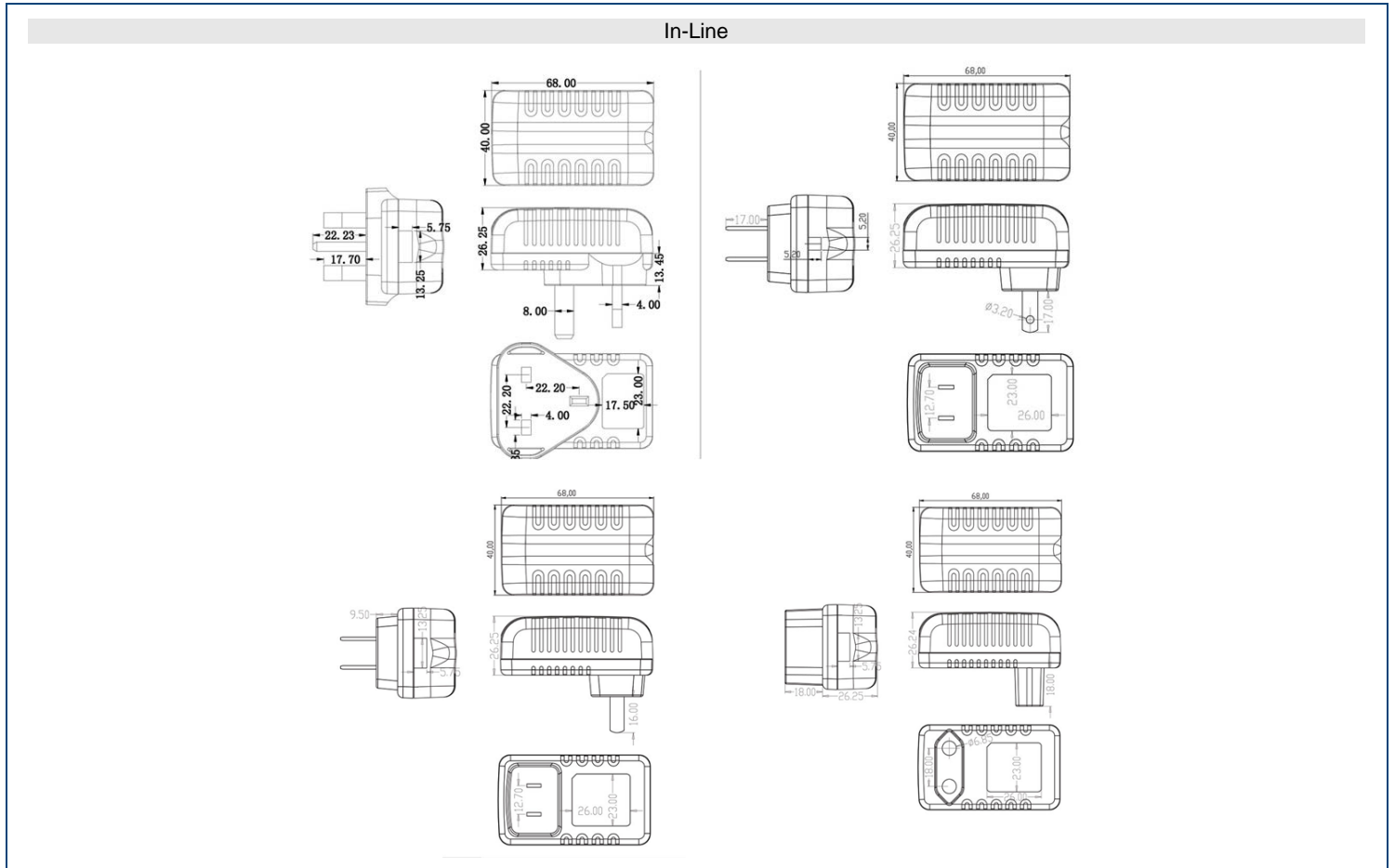
**Due to advances in technology, specifications subject to change without notice.*

MODEL NUMBER SETUP

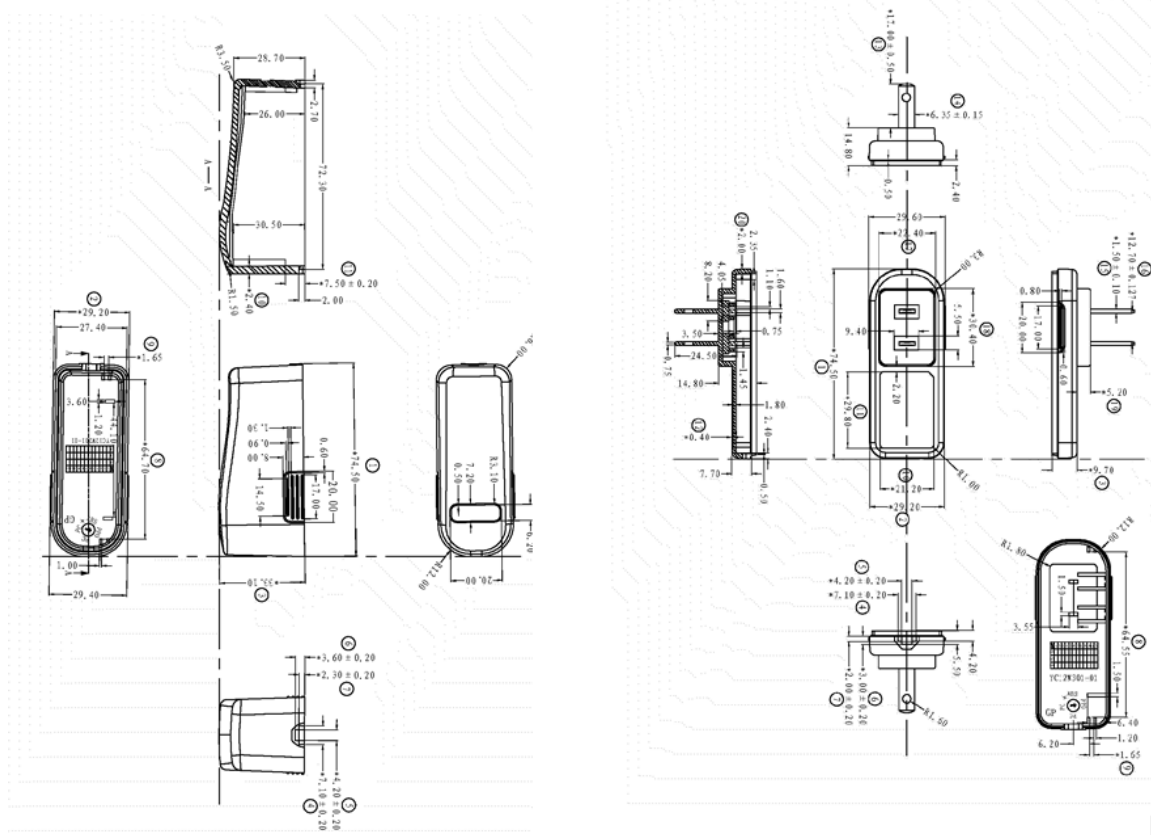
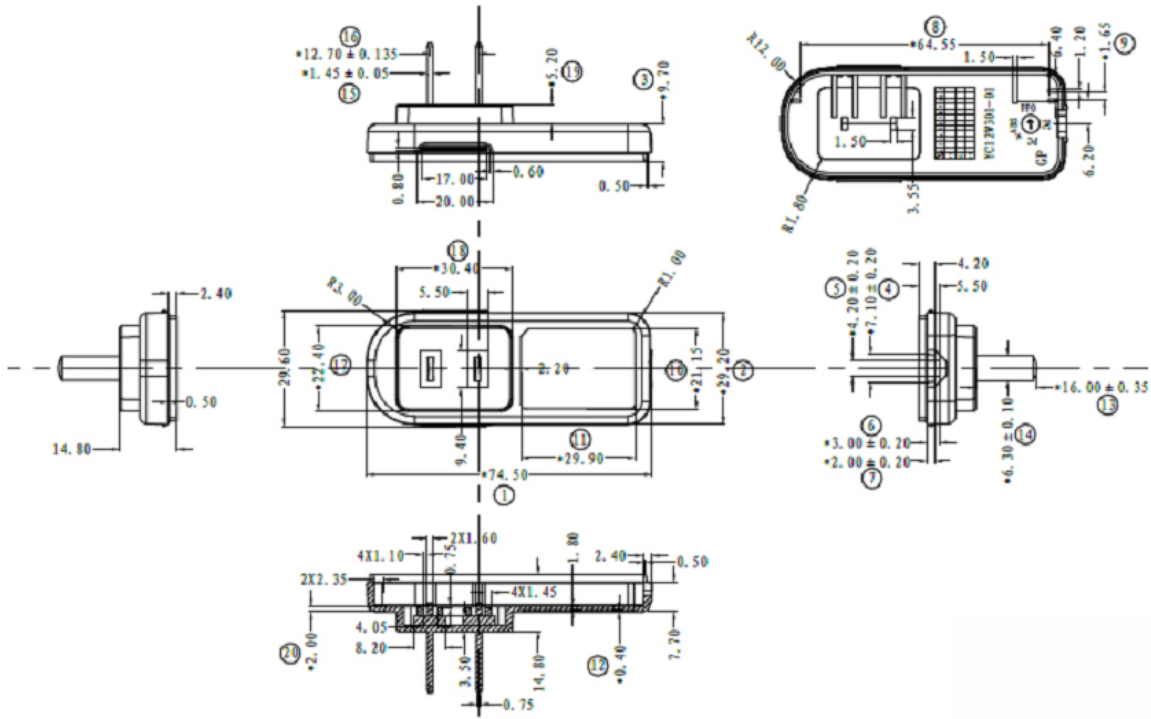
WMBA	-	018	005	-	Y	X
Series Name		Output Power	Output Voltage		Package Style	Plug Type
		018: 18 Watts	005: 5 Volts 089: 8.9 Volts 009: 9 Volts 119: 11.9 Volts 012: 12 Volts 015: 15 Volts 179: 17.9 Volts 018: 18 Volts 239: 23.9 Volts 024: 24 Volts 349: 34.9 Volts 035: 35 Volts 056: 56 Volts		1: Side Entry 2: In Line with USB 3: In Line without USB	U: US Plug K: UK Plug A: Aus. Plug

Note: Output Voltage should be selected within range shown
Device will be limited to the maximum output current rating and/or maximum power for model

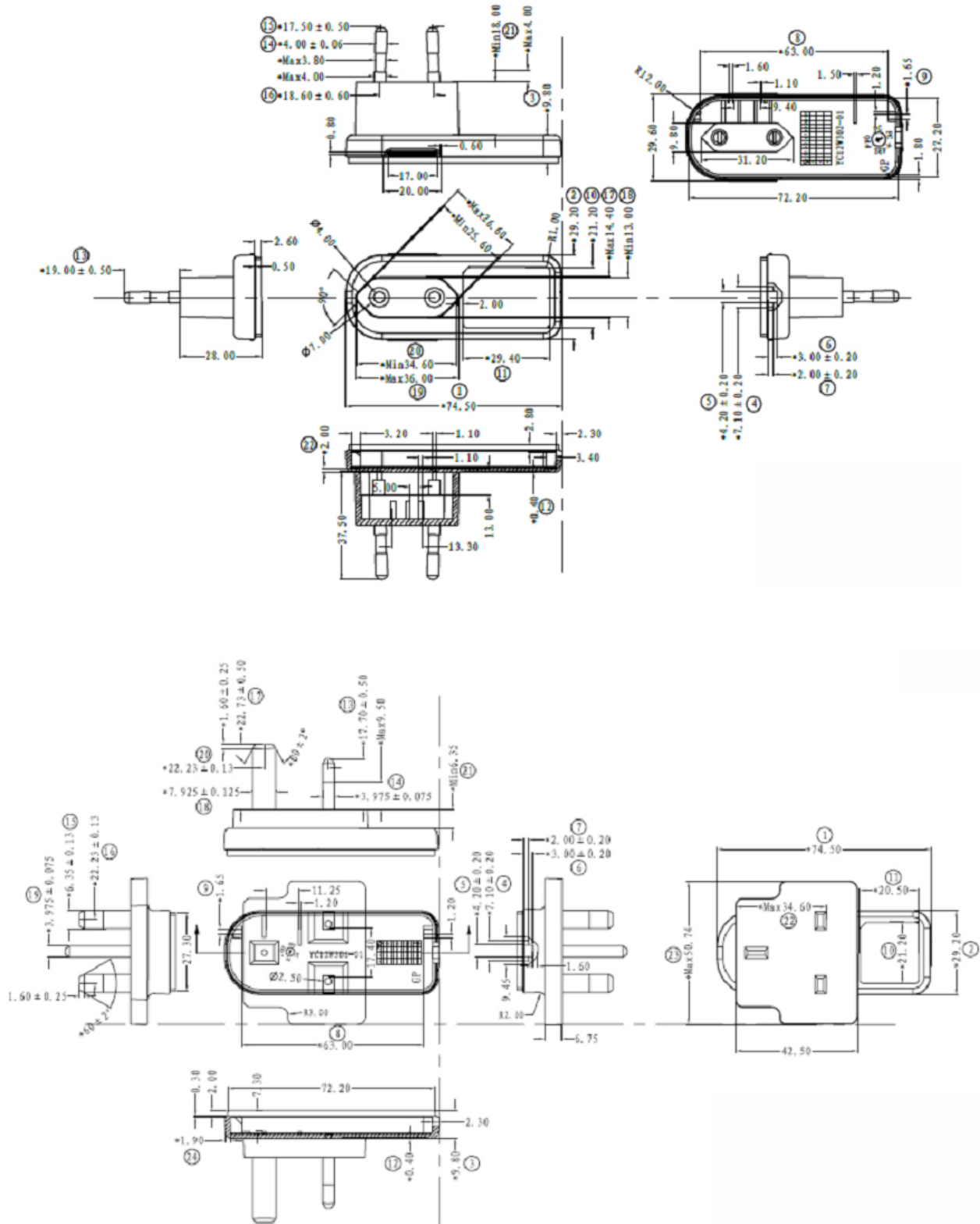
MECHANICAL DRAWINGS



In-Line USB



Side Entry



COMPANY INFORMATION

Wall Industries, Inc. has created custom and modified units for over 50 years. Our in-house research and development engineers will provide a solution that exceeds your performance requirements on-time and on budget. Our ISO9001-2008 certification is just one example of our commitment to producing a high quality, well-documented product for our customers.

Our past projects demonstrate our commitment to you, our customer. Wall Industries, Inc. has a reputation for working closely with its customers to ensure each solution meets or exceeds form, fit and function requirements. We will continue to provide ongoing support for your project above and beyond the design and production phases. Give us a call today to discuss your future projects.

Contact **Wall Industries** for further information:

Phone: ☎ (603)778-2300
Toll Free: ☎ (888)597-9255
Fax: ☎ (603)778-9797
E-mail: sales@wallindustries.com
Web: www.wallindustries.com
Address: 37 Industrial Drive
Exeter, NH 03833