



Size: 5in x 3.21in x 1.77in  
(127mm x 81.5mm x 45.5mm)

**FEATURES**

- Wide Input Voltage Range of 90-264VAC
- High Minimum Efficiency of 85%
- RoHS Compliant
- Over Voltage, Over Current and Short Circuit Protection
- 100% Burn-In
- 100% Hi-Pot Tested
- Single, Dual, Triple, and Quad Outputs
- UL/CUL, TUV, CB, CE, and FCC Safety Approvals

**DESCRIPTION**

The PSEP1200U series of AC DC open frame power supplies offers up to 200 watts of output power in a 5" x 3.21" x 1.77" package. This series has a wide input voltage range of 90~264VAC and single, dual, triple, and quad outputs are available. The PSEP1200U series has high minimum efficiency of 85%, is RoHS compliant, and has over voltage, over current, and short circuit protection. It has UL/CUL, TUV, CB, CE, and FCC safety approvals and has been 100% burn-in and hi-pot tested. Please call factory for details.

**MODEL SELECTION TABLE**

Single Output Models

Model Number	Input Voltage Range	Output Voltage	Output Current	Total Output Power	Load Regulation	Ripple & Noise	Efficiency
PSEP11000500U	90-264VAC	5	20.00A	100	±3% Max.	2% Max.	≥85%
PSEP11501200U		12	12.50A	150			
PSEP11801200U		12	15.00A	180			
PSEP11501900U		19	7.89A	150			
PSEP11801900U		19	9.47A	180			
PSEP12001900U		19	10.53A	200			
PSEP11502400U		24	6.25A	150			
PSEP11802400U		24	7.50A	180			
PSEP12002400U		24	8.33A	200			
PSEP11503600U		36	4.17A	150			
PSEP11803600U		36	5.00A	180			
PSEP12003600U		36	5.56A	200			
PSEP11504800U		48	3.13A	150			
PSEP11804800U		48	3.75A	180			
PSEP12004800U		48	4.17A	200			
PSEP11505600U		56	2.68A	150			
PSEP11805600U		56	3.21A	180			
PSEP12005600U		56	3.57A	200			

**MODEL SELECTION TABLE**

**Dual Output Models**

Model Number	Input Voltage Range	Main Power			Stand By Power			-12V Power			DC to DC Power			Total Output Power	Load Regulation	Ripple & Noise	Efficiency	
		Vo1 (V)	Io1 (l)	Wo1 (W)	Vo2 (V)	Io2 (l)	Wo2 (W)	Vo3 (V)	Io3 (l)	Wo3 (W)	Vo4 (V)	Io4 (l)	Wo4 (W)					
PSEP210005A0U	90-264VAC	5	18.00A	90	5	2	10							100	±3% or 10% Max.	2% Max.	≥85%	
PSEP215012A0U		12	11.67A	140	5	2	10							150				
PSEP218012A0U		12	14.17A	170	5	2	10							180				
PSEP215019A0U		19	7.37A	140	5	2	10							150				
PSEP218019A0U		19	8.95A	170	5	2	10							180				
PSEP15024A0U		24	5.83A	140	5	2	10							150				
PSEP18024A0U		24	7.08A	170	5	2	10							180				
PSEP15036A0U		36	3.89A	140	5	2	10							150				
PSEP18036A0U		36	4.72A	170	5	2	10							180				
PSEP15048A0U		48	2.92A	140	5	2	10							150				
PSEP18048A0U		48	3.54A	170	5	2	10							180				
PSEP215056A0U		56	2.50A	140	5	2	10							150				
PSEP218056A0U		56	3.04A	170	5	2	10							180				
PSEP215012B0U		12	12.00A	144					-12	0.5	6			150				
PSEP218012B0U		12	14.50A	174					-12	0.5	6			180				
PSEP215019B0U		19	7.58A	144					-12	0.5	6			150				
PSEP218019B0U		19	9.16A	174					-12	0.5	6			180				
PSEP215024B0U		24	6.00A	144					-12	0.5	6			150				
PSEP218024B0U		24	7.25A	174					-12	0.5	6			180				
PSEP215036B0U		36	4.00A	144					-12	0.5	6			150				
PSEP218036B0U		36	4.83A	174					-12	0.5	6			180				
PSEP215048B0U		48	3.00A	144					-12	0.5	6			150				
PSEP218048B0U		48	3.63A	174					-12	0.5	6			180				
PSEP215056B0U		56	2.57A	144					-12	0.5	6			150				
PSEP218056B0U		56	3.11A	174					-12	0.5	6			180				
PSEP215012DAU		12	10.42A	125								5	5	25				150
PSEP218012DAU		12	12.92A	155								5	5	25				180
PSEP215019DAU		19	6.58A	125								5	5	25				150
PSEP218019DAU		19	8.16A	155								5	5	25				180
PSEP215019DBU		19	4.74A	90								12	5	25				150
PSEP218019DBU		19	6.32A	120								12	5	25				180
PSEP215024DAU		24	5.21A	125								5	5	25				150
PSEP218024DAU		24	6.46A	155								5	5	25				180
PSEP215024DBU		24	3.75A	90								12	5	25				150
PSEP218024DBU		24	5.00A	120								12	5	25				180

**MODEL SELECTION TABLE**

**Triple Output Models**

Model Number	Input Voltage Range	Main Power			Stand By Power			-12V Power			DC to DC Power			Total Output Power	Load Regulation	Ripple & Noise	Efficiency	
		Vo1 (V)	Io1 (l)	Wo1 (W)	Vo2 (V)	Io2 (l)	Wo2 (W)	Vo3 (V)	Io3 (l)	Wo3 (W)	Vo4 (V)	Io4 (l)	Wo4 (W)					
PSEP315012C0U	90-264VAC	12	11.17A	134	5	2	10	-12	0.5	6				150	±3% or 10% Max.	2% Max.	≥85%	
PSEP317512C0U		12	13.25A	159	5	2	10	-12	0.5	6				175				
PSEP315019C0U		19	7.05A	134	5	2	10	-12	0.5	6				150				
PSEP317519C0U		19	8.37A	159	5	2	10	-12	0.5	6				175				
PSEP315024C0U		24	5.58A	134	5	2	10	-12	0.5	6				150				
PSEP317524C0U		24	6.63A	159	5	2	10	-12	0.5	6				175				
PSEP315036C0U		36	3.72A	134	5	2	10	-12	0.5	6				150				
PSEP317536C0U		36	4.42A	159	5	2	10	-12	0.5	6				175				
PSEP315048C0U		48	2.79A	134	5	2	10	-12	0.5	6				150				
PSEP317548C0U		48	3.31A	159	5	2	10	-12	0.5	6				175				
PSEP315056C0U		56	2.39A	134	5	2	10	-12	0.5	6				150				
PSEP317556C0U		56	2.84A	159	5	2	10	-12	0.5	6				175				
PSEP315012AAU		12	9.58A	115	5	2	10					5	5	25				150
PSEP317512AAU		12	11.67A	140	5	2	10					5	5	25				175
PSEP315019AAU		19	6.05A	115	5	2	10					5	5	25				150
PSEP317519AAU		19	7.37A	140	5	2	10					5	5	25				175
PSEP315019ABU		19	4.21A	80	5	2	10					12	5	60				150
PSEP317519ABU		19	5.53A	105	5	2	10					12	5	60				175
PSEP315024AAU		24	4.79A	115	5	2	10					5	5	25				150
PSEP317524AAU		24	5.83A	140	5	2	10					5	5	25				175
PSEP315024ABU		24	3.33A	80	5	2	10					12	5	60				150
PSEP317524ABU		24	4.38A	105	5	2	10					12	5	60				175

**MODEL SELECTION TABLE**

**Quad Output Models**

Model Number	Input Voltage Range	Main Power			Stand By Power			-12V Power			DC to DC Power			Total Output Power	Load Regulation	Ripple & Noise	Efficiency
		Vo1 (V)	Io1 (l)	Wo1 (W)	Vo2 (V)	Io2 (l)	Wo2 (W)	Vo3 (V)	Io3 (l)	Wo3 (W)	Vo4 (V)	Io4 (l)	Wo4 (W)				
PSEP415012CAU	90-264VAC	12	9.08A	109	5	2	10	-12	0.5	6	5	5	25	±3% or 10% Max.	2% Max.	≥85%	
PSEP417512CAU		12	11.17A	134	5	2	10	-12	0.5	6	5	5	25				
PSEP415019CAU		19	5.74A	109	5	2	10	-12	0.5	6	5	5	25				
PSEP417519CAU		19	7.05A	134	5	2	10	-12	0.5	6	5	5	25				
PSEP415019CBU		19	3.89A	74	5	2	10	-12	0.5	6	12	5	60				
PSEP417519CBU		19	5.21A	99	5	2	10	-12	0.5	6	12	5	60				
PSEP415024CAU		24	4.54A	109	5	2	10	-12	0.5	6	5	5	25				
PSEP417524CAU		24	5.58A	134	5	2	10	-12	0.5	6	5	5	25				
PSEP415024CBU		24	3.08A	74	5	2	10	-12	0.5	6	12	5	60				
PSEP417524CBU		24	4.13A	99	5	2	10	-12	0.5	6	12	5	60				

**SPECIFICATIONS**

All specifications are based on 25°C, Nominal Input Voltage, and Maximum Output Current unless otherwise noted.  
 We reserve the right to change specifications based on technological advances.

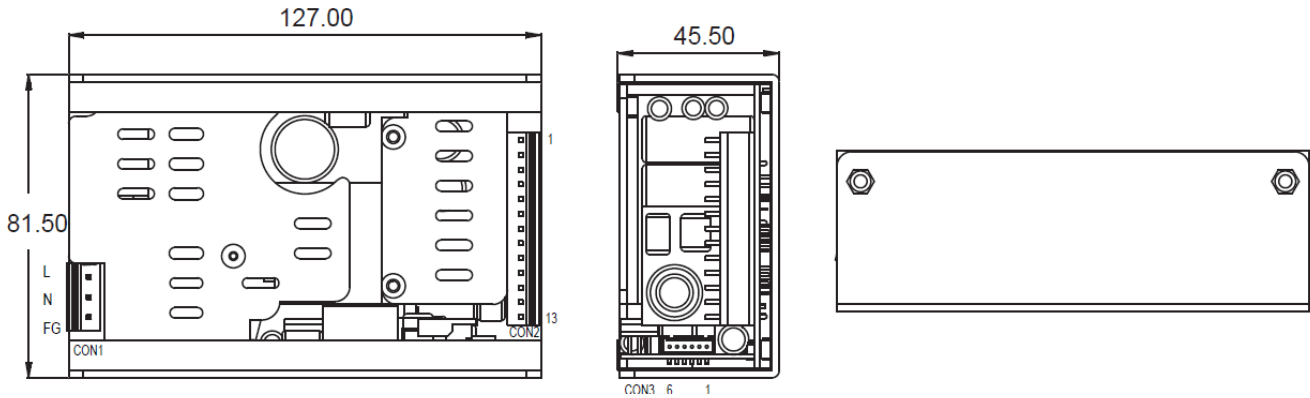
SPECIFICATION	TEST CONDITIONS	Min	Typ	Max	Unit
<b>INPUT SPECIFICATIONS</b>					
Input Voltage Range		90		264	VAC
Input Current			≤3.0		A
Inrush Current	@220VAC, Cold start @25°C		≤120		A
<b>OUTPUT SPECIFICATIONS</b>					
Output Voltage		See Table			
Load Regulation	Single Output	Main Power		±3	%
	Dual Output	Main Power		±3	
		Stand By or -12V		±3 or 10	
	Triple Output	Main Power		±3	
		Stand By Power		±3	
		DC-DC or -12		±3 or 10	
	Quad Output	Main Power		±3	
		DC-DC Power		±3	
-12V Power			±10		
	Stand By Power		±3		
Output Power	Single Output	100		200	W
	Dual Output	100		180	
	Triple Output	150		170	
	Quad Output	150		170	
Output Current		See Table			
Ripple & Noise (20MHz bandwidth) <sup>(1)</sup>				2	%
Turn On Time			≤3		s
<b>PROTECTION</b>					
Short Circuit Protection		Latch Off or Automatic Recovery			
Over Current Protection		Latch Off or Automatic Recovery			
Over Voltage Protection		Latch Off or Automatic Recovery			
<b>ENVIRONMENTAL SPECIFICATIONS</b>					
Operating Temperature		0		50	°C
Storage Temperature		-20		85	°C
Storage Humidity		5		95	%
MTBF		30,000			hours
<b>GENERAL SPECIFICATIONS</b>					
Efficiency <sup>(2)</sup>		≥85			%
Efficiency Level		Meets CEC Level V			
<b>PHYSICAL SPECIFICATIONS</b>					
Weight		15.87oz (450g)			
Dimensions (L x W x H)		5in x 3.21in x 1.77in (127mm x 81.5mm x 45.5mm)			
<b>SAFETY</b>					
Safety Approvals		UL/CUL, TUV, CB, CE, FCC			

**NOTES**

- (1) Ripple & Noise is measured by using 20MHz bandwidth limited oscilloscope and terminated each output with a 0.1uF ceramic capacitor & parallel with 47uF aluminum capacitor at full load and nominal line.
- (2) Efficiency depends on models.

MECHANICAL DRAWINGS

Standard Model



AC Input Connector CON1: JST/B5P-VH Series or Equivalent  
DC Output Connector CON2: JST/B13P-VH Series or Equivalent  
DC Output CON3: Goldenconn/BB2009W4HT Series or Equivalent

Pin Assignment:

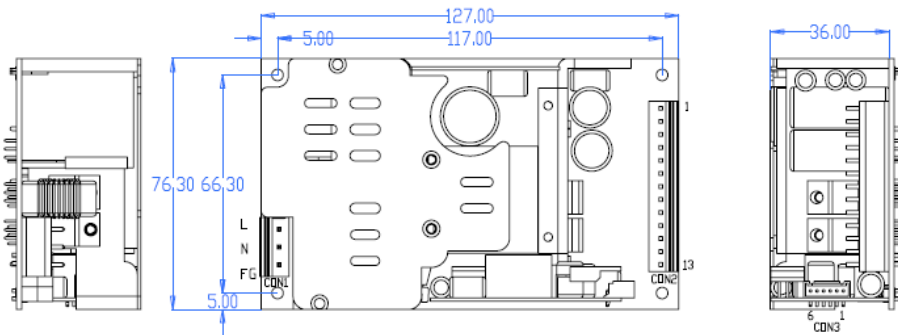
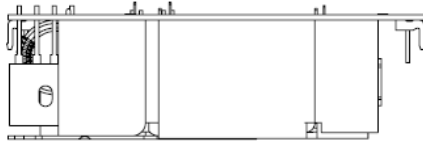
CON2:

P1-4	P2-5	P6-9	P10-11	P12-13
Vout3	GND	Vout1	GND	Vout2

CON3:

P1	P2	P3-4	P5-6
PG	PS/ON	5Vsb	GND

Dual Output Model



AC INPUT  
CONNECTOR TYPE :  
JST/B5P-VH OR EQU.

DC OUTPUT  
CONNECTOR TYPE :  
JST/B13P-VH OR EQU.

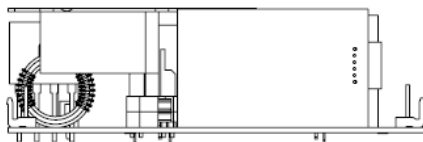
CON2 Pin Assignment :

- 1 : NC
- 2-5 : GND
- 6-9 : Vout1
- 10-13 : NC

CON3 Pin Assignment :

- 1 : PG
- 2 : PS/ON
- 3-4 : 5Vsb
- 5-6 : GND

Please note: PS/ON (Pin 2) must be connected to ground (Pin 5 or 6)



MODEL NUMBER SETUP

PSEP	2	180	12	D	A	U
Series Name	Number of Outputs	Total Power	Main Output Voltage	Secondary Voltage Coding	-12V/DC to DC Voltage Coding	U Bracket
	<b>1:</b> Single <b>2:</b> Dual <b>3:</b> Triple <b>4:</b> Quad	<b>100:</b> 100W <b>150:</b> 150W <b>175:</b> 175W <b>180:</b> 180W <b>200:</b> 200W	<b>05:</b> 5V <b>12:</b> 12V <b>18:</b> 18V <b>19:</b> 19V <b>24:</b> 24V <b>36:</b> 36V <b>48:</b> 48V <b>50:</b> 50V	<b>0:</b> NA <b>A:</b> Stand By <b>B:</b> -12V <b>C:</b> Standby ±12V <b>D:</b> D/D Board	<b>0:</b> NA <b>A:</b> 5V/5A <b>B:</b> 12V/5A	<b>U:</b> U Bracket

COMPANY INFORMATION

Wall Industries, Inc. has created custom and modified units for over 50 years. Our in-house research and development engineers will provide a solution that exceeds your performance requirements on-time and on budget. Our ISO9001-2008 certification is just one example of our commitment to producing a high quality, well-documented product for our customers.

Our past projects demonstrate our commitment to you, our customer. Wall Industries, Inc. has a reputation for working closely with its customers to ensure each solution meets or exceeds form, fit and function requirements. We will continue to provide ongoing support for your project above and beyond the design and production phases. Give us a call today to discuss your future projects.

Contact **Wall Industries** for further information:

Phone: ☎ (603)778-2300  
 Toll Free: ☎ (888)597-9255  
 Fax: ☎ (603)778-9797  
 E-mail: [sales@wallindustries.com](mailto:sales@wallindustries.com)  
 Web: [www.wallindustries.com](http://www.wallindustries.com)  
 Address: 37 Industrial Drive  
 Exeter, NH 03833