

FEATURES

- 12 Watts Output power
- High Efficiency up to 88%
- 2:1 Wide Input Voltage Range
- Five-Sided Continuous Shield
- DIP and SMT Types Available
- Standard 1.25 x 0.8 x 0.4 Inches
- Fixed Switching Frequency (400KHz)
- Compliant to RoHS EU Directive 2002/95/EC
- UL60950-1, EN60950-1, and IEC60950-1 Licensed
- CE Mark meets 2006/95/EC, 93/68/EEC, and 89/336 EEC

APPLICATIONS

- Measurement
- Wireless Network
- Telecom/Datacom
- Industry Control System
- Semiconductor Equipment



SPECIFICATIONS: LANCW12 Series

All specifications apply @ 25°C ambient unless otherwise noted

INPUT SPECIFICATIONS

Input Voltage Range	12V nominal input	9-18VDC
	24V nominal input	18-36VDC
	48V nominal input	36-75VDC
Input Filter	PI Type	
Input Voltage Variation	dv/dt	5V/ms max
	Complies with ETS300 132 part 4.4)	
Input Surge Voltage (100ms max)	12V input	36VDC
	24V input	50VDC
	48V input	100VDC
Input Reflected Ripple Current (nominal Vin and full load)	20mA _{p-p}	
Start Up Time (nominal Vin and constant resistive load)	450ms typ.	
Start Up Voltage	12V	9VDC
	24V	18VDC
	48V	36VDC
Shutdown Voltage	12V	8VDC
	24V	16VDC
	48V	33VDC
Remote ON/OFF (See Note 6)		
(Positive Logic)	DC-DC ON	Open or 3.0V < Vr < 12V
	DC-DC OFF	Short or 0V < Vr < 1.2V
Input Current of Remote Control Pin (nominal Vin)	-0.5mA ~ 0.5mA	
Remote Off State Input Current (nominal Vin)	2.5mA	

OUTPUT SPECIFICATIONS

Output Voltage	see table	
Voltage Accuracy (nominal Vin and full load)	±1.2%	
Output Current	see table	
Output Power	12 watts max.	
Line Regulation (LL to HL at FL)	Single	±0.2%
	Dual	±0.5%
Load Regulation (no load to full load)	Single Output (DIP)	±0.5%
	Single Output (SMT)	±1%
	Dual Output (SMT, DIP)	±1%
	2.5Vo only	±1%
Cross Regulation (Dual) (Asymmetrical load 25% / 100% FL)	±5%	
Minimum Load	0%	
Ripple/Noise (20 MHz BW)	85mV _{p-p}	
Temperature Coefficient	±0.02% / °C max.	
Transient Response Recovery Time (25% load step)	250us	

PROTECTION SPECIFICATIONS

Over Voltage Protection (single output)	2.5V Output	3.9V
	Zener diode clamp	3.3V Output
	(only for single outputs)	3.9V
		5.1V Output
		6.2V
		12V Output
		15V
		15V Output
		18V
Over Load Protection (% of full load at nominal input)	150% typ.	
Short Circuit Protection	Continuous, automatic recovery	

GENERAL SPECIFICATIONS

Efficiency	see table	
Switching Frequency	400KHz typ.	
Isolation Voltage		
Input to Output	1600VDC min.	
Input (Output) to Case (DIP)	1600VDC min.	
Input (Output) to Case (SMT)	1000VDC min.	
Isolation Resistance	10 ⁹ ohms min.	
Isolation Capacitance	1200pF max.	

ENVIRONMENTAL SPECIFICATIONS

Operating Temperature	-40°C to +85°C (w/ derating)	
Storage Temperature	-55°C ~ +105°C	
Maximum Case Temperature	100°C	
Relative Humidity (non-condensing)	5% to 95% RH	
Thermal Impedance (Natural Convection)	20°C / Watt	
Thermal Shock	MIL-STD-810F	
Vibration	10~55Hz, 10G, 30 minutes along X, Y, and Z	
MTBF (See Note 1)	2.75 x 10 ⁶ hrs	

PHYSICAL SPECIFICATIONS

Weight	18g (0.62 oz)	
Dimensions	1.25 x 0.80 x 0.40 inches (31.8 x 20.3 x 10.2 mm)	
Case Material	Nickel-coated copper	
Base Material	Non-conductive black plastic	
Potting material	Epoxy (UL94-V0)	
Shielding	five – sided	

Due to advances in technology, specifications subject to change without notice



SAFETY & EMC

Approvals and Standards..... IEC60950-1, UL60950-1, EN60950-1
EMI (See Note 7) EN55022..... Class A
ESD..... EN61000-4-2..... Air Contact ± 8KV Perf. Criteria B
Contact ± 6KV

Radiated Immunity..... EN61000-4-3..... 10V/m Perf. Criteria A
Fast Transient..... EN61000-4-4 ±2KV Perf. Criteria B
Surge (See Note 8)..... EN61000-4-5..... ±1KV Perf. Criteria B
Conducted Immunity..... EN61000-4-6..... 10 Vrms Perf. Criteria A

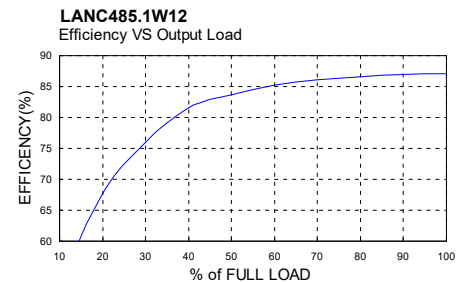
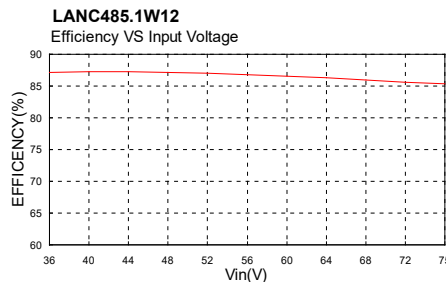
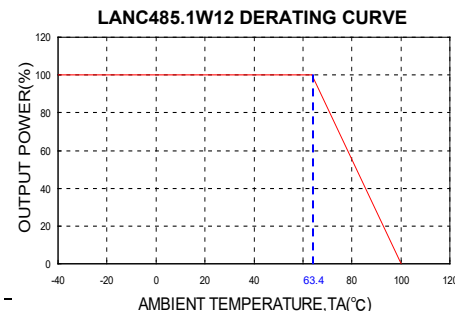
OUTPUT VOLTAGE / CURRENT RATING CHART

Table with 10 columns: Model Number, Input Range, Output Voltage, Output Current (Min. load, Full load), Output (4) Ripple & Noise, Input Current (No load (3), Full load (2)), Efficiency (4), Capacitor (5) Load max. Rows include models like LANC122.5W12, LANC123.3W12, etc.

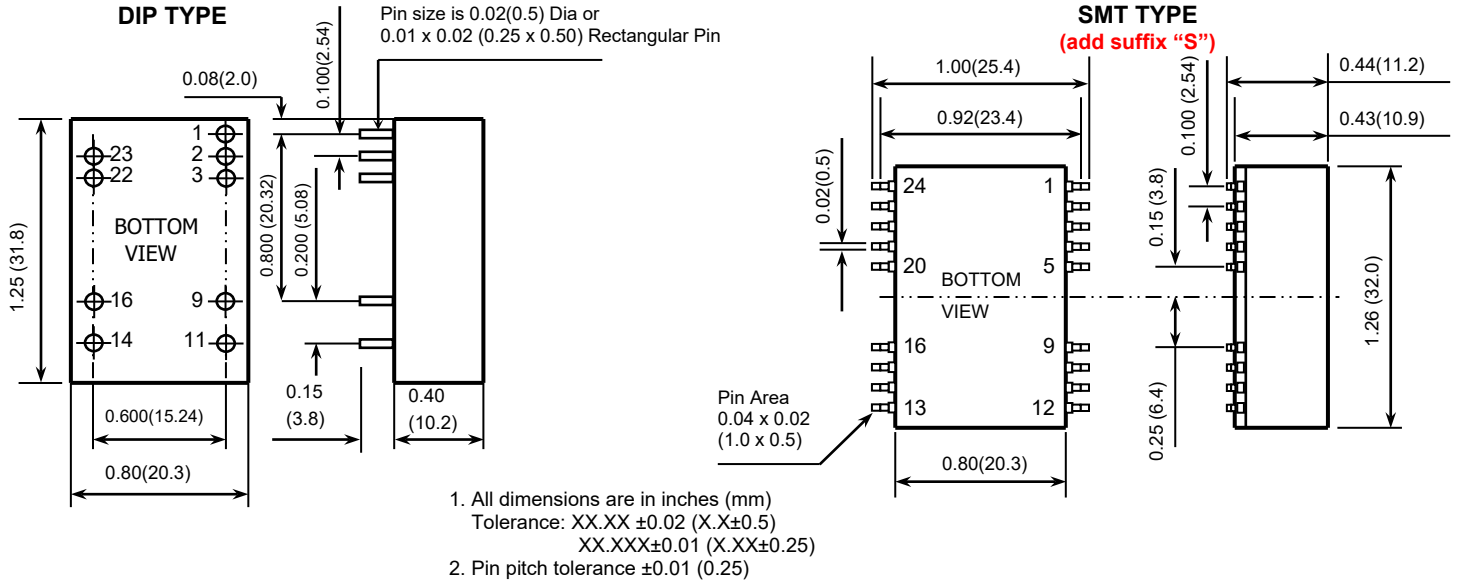
NOTES

- 1. BELLCORE TR-NWT-000332. Case 1: 50% Stress, Temperature at 40°C.(Ground fixed and controlled environment)
2. Maximum value at nominal input voltage and full load of standard type.
3. Typical value at nominal input voltage and no load.
4. Typical value at nominal input voltage and full load.
5. Test by minimum Vin and constant resistive load.
6. The ON/OFF control pin voltage is referenced to -Vin.
7. The LANCW12 Series can meet EN55022 Class A with parallel an external capacitor to the input pins.
Recommended: 12Vin: 6.8µF/50V
24Vin: 4.7µF/50V
48Vin: 2.2µF/100V
8. An external filter capacitor is required if the module has to meet EN61000-4-5. (The filter capacitor Wall Industries suggests: Nippon chemi-con KY Series, 220µF/100V, ESR 48mΩ).
9. This product is Listed to applicable standards and requirements by UL.
*Due to advances in technology, specifications subject to change without notice.

DERATING CURVE & EFFICIENCY GRAPHS



MECHANICAL DRAWING



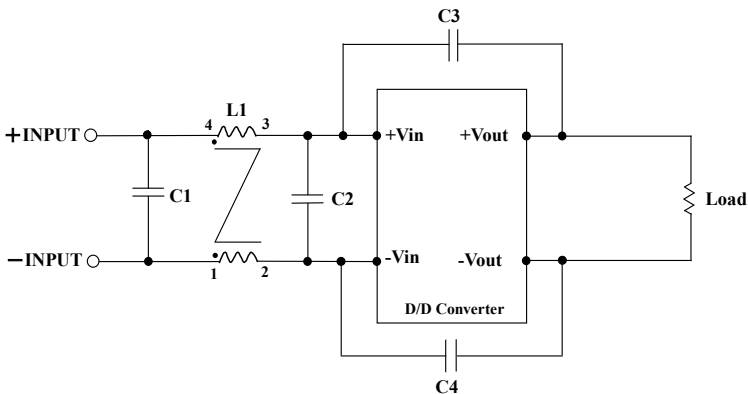
(DIP) PIN CONNECTION					
PIN	SINGLE	DUAL	PIN	SINGLE	DUAL
1	CTRL	CTRL			
2	-INPUT	-INPUT	23	+INPUT	+INPUT
3	-INPUT	-INPUT	22	+INPUT	+INPUT
9	NC	COMMON	16	-OUTPUT	COMMON
11	NC	-OUTPUT	14	+OUTPUT	+OUTPUT

(SMT) PIN CONNECTION					
PIN	SINGLE	DUAL	PIN	SINGLE	DUAL
1	CTRL	CTRL			
2	-INPUT	-INPUT	23	+INPUT	+INPUT
3	-INPUT	-INPUT	22	+INPUT	+INPUT
9	NC	COMMON	16	-OUTPUT	COMMON
11	NC	-OUTPUT	14	+OUTPUT	+OUTPUT
Others	NC	NC	Others	NC	NC

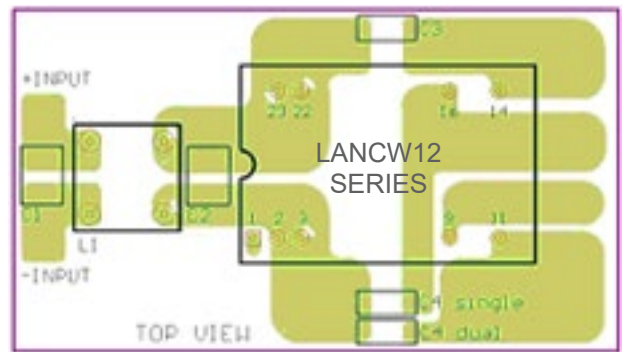
FIGURE 1

FIGURE 2

Recommended Filter for EN55022 Class B Compliance



Recommended EN55022 Class B Filter Circuit Layout



The components used in Figure 1, together with the manufacturers' part numbers for these components, are as follows:

	C1	C2	C3	C4	L1
LANC12xxxW12	3.3uF/50V	N/A	1000pF/2KV	1000pF/2KV	325uF Common Choke
LANC24xxxW12	4.7uF/50V	N/A	1000pF/2KV	1000pF/2KV	325uF Common Choke
LANC48xxxW12	2.2uF/100V	2.2uF/100V	1000pF/2KV	1000pF/2KV	325uF Common Choke



COMPANY INFORMATION

Wall Industries, Inc. has created custom and modified units for over 50 years. Our in-house research and development engineers will provide a solution that exceeds your performance requirements on-time and on budget. Our ISO9001: 2015 certification is just one example of our commitment to producing a high quality, well-documented product for our customers.

Our past projects demonstrate our commitment to you, our customer. Wall Industries, Inc. has a reputation for working closely with its customers to ensure each solution meets or exceeds form, fit and function requirements. We will continue to provide ongoing support for your project above and beyond the design and production phases. Give us a call today to discuss your future projects.

Contact **Wall Industries** for further information:

Phone: ☎ (603)778-2300
Toll Free: ☎ (888)597-9255
Fax: ☎ (603)778-9797
E-mail: sales@wallindustries.com
Web: www.wallindustries.com
Address: 37 Industrial Drive
Exeter, NH 03833

©2019 Wall Industries, Inc. Specifications subject to change without notice. Wall Industries is not responsible for typographical errors. The information contained herein is for informational purposes only. This information is provided by Wall Industries and we make no representations or warranties of any kind, express or implied, about the completeness, accuracy, reliability, suitability or availability with respect to the information contained in this document for any purpose. All product and manufacturer names are trademarks or registered trademarks of their respective companies.