

A Type: IEC-320-C14



B Type: IEC-320-C8



C Type: IEC-320-C6



D Type: US Cord



E Type: EU Cord



Size: 3.54~3.94in x 2.3in x 1.29in (90~100mm x 58.5mm x 32.8mm)



FC CE CB LPS

**OPTIONS**

- AC Inlet
- Output Connector
- Output Voltage
- Main Cord Input
  - US Type
  - EU Type

**FEATURES**

- Universal Input Voltage Range of 100~240VAC
- Compact Package
- High Efficiency up to 84.50%
- Single Outputs
- All Models are Level VI Compliant

- Optional Output Connectors Available
- US or EU Main Cord Input Available
- IEC-320-C14, IEC-320-C8, or IEC-320-C6 Inlets Available
- Short Circuit, Over Voltage, and Over Current Protection
- UL60950-1; CSA C22.2, EN60950-1, and IEC60950-1 Safety Approvals.

**DESCRIPTION**

The DTGPSU15 series of AC DC desktop power supplies offers up to 15 watts of output power in a compact 3.94" x 2.3" x 1.29" package. This series consists of single output models with an input voltage range of 100~240VAC and output voltages ranging from 3~48VDC. Many options are available for this series: AC Inlet of IEC-320-C14, IEC-320-C8, or IEC-320-C6, output connectors, or either a US main cord input or EU main cord input. Each model is Energy Level VI compliant and has UL60950-1; CSA C22.2, EN60950-1 and IEC60950-1 safety approvals. Please call factory for ordering details.

**MODEL SELECTION TABLE**

Model Number <sup>(1)</sup>	Input Voltage Range	Output Voltage Range	Measured at Output	Output Current		Ripple & Noise	No Load Power Consumption	Output Power	Avg. Efficiency <sup>(2)</sup>	
				Min Load	Max Load				DoE (VI)	CoC (5)
DTGPSU15x-1	100~240VAC	5~6VDC	5VDC	2.00A	2.40A	50mV	<0.075W	12W	79.94%	80.3%
DTGPSU15x-1-1		6~8VDC	7.5VDC	1.50A	2.00A	80mV		12W	82.96%	83.26%
DTGPSU15x-2		8~11VDC	9VDC	1.36A	1.80A	80mV		15W	84.13%	84.50%
DTGPSU15x-3		11~13VDC	12VDC	1.15A	1.36A	80mV		15W	84.13%	84.50%
DTGPSU15x-4		13~16VDC	15VDC	0.94A	1.15A	100mV		15W	84.13%	84.50%
DTGPSU15x-5		16~21VDC	18VDC	0.72A	0.94A	120mV		15W	84.13%	84.50%
DTGPSU15x-6		21~27VDC	24VDC	0.55A	0.72A	150mV		15W	84.13%	84.50%
DTGPSU15x-7		27~33VDC	28VDC	0.45A	0.55A	240mV		15W	84.13%	84.50%
DTGPSU15x-8	33~48VDC	48VDC	0.31A	0.45A	240mV	15W	84.13%	84.50%		

**SPECIFICATIONS**

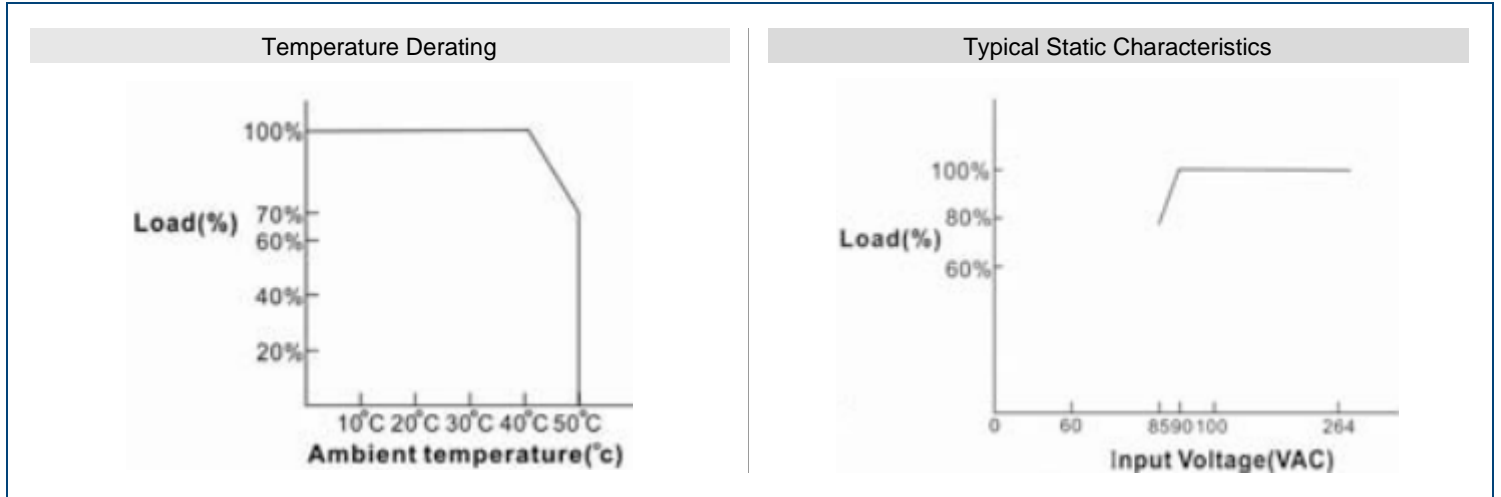
All specifications are based on 25°C, Nominal Input Voltage, and Maximum Output Current unless otherwise noted.  
We reserve the right to change specifications based on technological advances.

SPECIFICATION	TEST CONDITIONS	Min	Typ	Max	Unit
<b>INPUT SPECIFICATIONS</b>					
Input Voltage Range		100		240	VAC
Input Frequency		50		60	Hz
Input Current				0.5	A
Leakage Current	@240VAC/50Hz			0.25	mA
Inrush Current	@115VAC at 25°C Cold Start		40		A
	@230VAC at 25°C Cold Start		60		
<b>OUTPUT SPECIFICATIONS</b>					
Output Voltage		See Table			
Line Regulation	For any input voltage change between input voltage range	3.3V Models		±1	%
		All Other Models		±0.5	
Load Regulation	Variations from minimum to maximum output current	3.3V Models	±6		%
		5V, 7.5V, and 9V Models	±5		
		12V, 15V, and 18V Models	±3		
		24V, 28V, 48V Models	±2		
Output Power		See Table			
Output Current		See Table			
Ripple & Noise		See Table			
Transient Response	Recovering to 1% of final value within 500µS after a 25% step load change			≥4	%
Set Up Time	@Full Load		3000		mS
Hold Up Time	@Full Load		16		mS
Rise Time	@Full Load		50		mS
Temperature Coefficient	All Output			±0.04	%/°C
<b>PROTECTION</b>					
Short Circuit Protection	Hiccup Mode	Automatic Recovery			
Over Current Protection	Hiccup Mode	Automatic Recovery			
	Rated Output Current	>110%			
Over Voltage Protection	Protected by Zener Diode				
<b>ENVIRONMENTAL SPECIFICATIONS</b>					
Operating Temperature		0		40	°C
Storage Temperature		-40		85	°C
Relative Humidity	Non-Condensing	5		95	%
Derating	Derated from 100% at 40°C linearly to 70% at 50°C				
MTBF	@Full Load at 25°C ambient	100,000			hours
<b>GENERAL SPECIFICATIONS</b>					
Efficiency		See Table			
Insulation Resistance	From Input to Output	50			MΩ
Withstand Voltage	From Input to Output		4242		VDC
<b>PHYSICAL SPECIFICATIONS</b>					
Weight		3.53~8.82oz (100~250g)			
Dimensions (L x W x H)	A, B, and C Types	3.94in x 2.3in x 1.29in (100mm x 58.5mm x 32.8mm)			
	D and E Types	3.54 x 2.3in x 1.29in (90mm x 58.5mm x 32.8mm)			
<b>SAFETY &amp; EMC CHARACTERISTICS</b>					
Safety Approvals		UL60950-1; CSA C22.2 EN60950-1 IEC60950-1			
EMC		CE: Emission: EN55022; EN61000-3-2,3/Immunity: IEC61000-4-2,3,4,5,6,11 FCC 47 CFR Part 15 Subpart B			

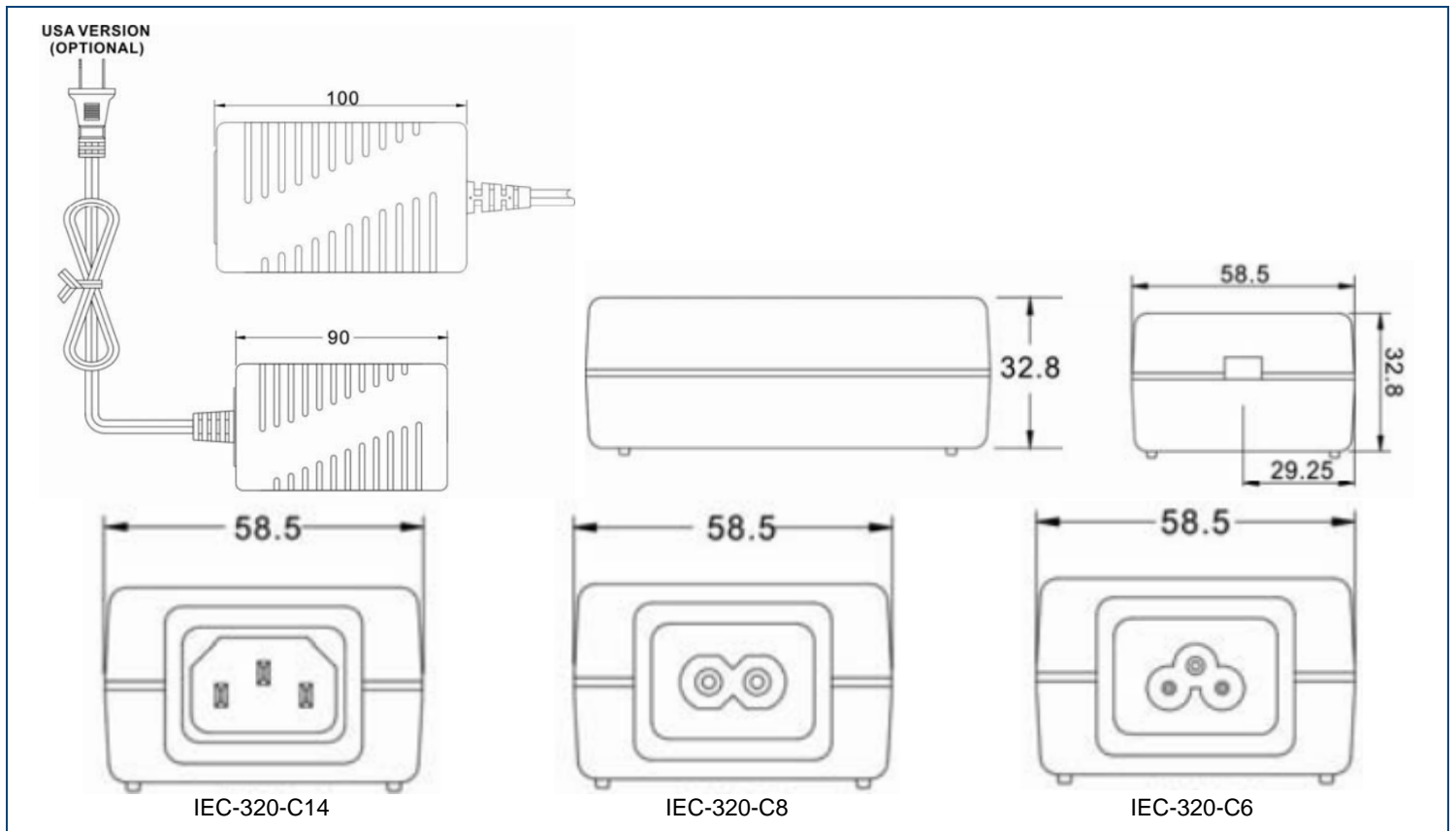
**NOTES**

- (1) "x" In model number indicates AC Inlet Type. "x" can either be "A" for IEC-320-C14 inlet, "B" for IEC-320-C8, or "C" for IEC-320-C6, "D" for USA plug type, or "E" for EU plug type.
- (2) Avg. Efficiency: Averages the efficiency at 25, 50, 75, and 100% of max. rated output current.
- (3) Standard Output Cables: 5~13V: UL1185, 18AWG, 4FT  
13~48V: UL1185, 20AWG, 6FT  
Other output cables available. Please call factory for details.

DERATING CURVES



MECHANICAL DRAWINGS



---

COMPANY INFORMATION

Wall Industries, Inc. has created custom and modified units for over 50 years. Our in-house research and development engineers will provide a solution that exceeds your performance requirements on-time and on budget. Our ISO9001-2008 certification is just one example of our commitment to producing a high quality, well-documented product for our customers.

Our past projects demonstrate our commitment to you, our customer. Wall Industries, Inc. has a reputation for working closely with its customers to ensure each solution meets or exceeds form, fit and function requirements. We will continue to provide ongoing support for your project above and beyond the design and production phases. Give us a call today to discuss your future projects.

Contact **Wall Industries** for further information:

Phone: ☎ (603)778-2300  
Toll Free: ☎ (888)597-9255  
Fax: ☎ (603)778-9797  
E-mail: [sales@wallindustries.com](mailto:sales@wallindustries.com)  
Web: [www.wallindustries.com](http://www.wallindustries.com)  
Address: 37 Industrial Drive  
Exeter, NH 03833