



Size: 7.04in x 2.56in x 1.57in (179mm x 65mm x 40mm)

OPTIONS

- AC Inlet
 - IEC320 C14
 - IEC320 C8
 - IEC320 C6
 - IEC320 C18

FEATURES

- Active PFC Function
- CEC Compliant
- RoHS Compliant
- Four AC Inlets Available: IEC320 C14, C8, C6, C18
- MTBF >30,000
- Short Circuit, Over Voltage, Over Current, and Over Temperature Protection
- LED Indication
- UL/cUL UL60950, CB, FCC, and CCC Safety Approvals

DESCRIPTION

The DTEA1170 series of AC/DC desktop power supplies provides up to 180 watts of continuous output power. All models have a single output and a wide input voltage range of 100~240VAC. This series is Energy Star Level VI, CEC and RoHS compliant and has over voltage, over current, over temperature and short circuit protection. Each model has UL/cUL UL60950, CB, FCC and CCC safety approvals. This series also has four AC inlet connector types available: IEC320 C14, C8, C6, and C18. Optional output connectors are also available. Please call factory for ordering details.

MODEL SELECTION TABLE

Model Number ⁽⁴⁾	Input Voltage Range	Output Voltage	Output Current		Ripple & Noise ⁽¹⁾	Output Power ⁽²⁾
			Min Load	Max Load		
DTEA1170xA	100-240VAC	12~16	0	10.83A	240mV	130W
DTEA1170xB		19~24	0	6.84A	360mV	130W
DTEA1170xC		12~16	0	11.66A	240mV	140W
DTEA1170xD		19~24	0	7.36A	360mV	140W
DTEA1170xE		12~16	0	12.5A	240mV	150W
DTEA1170xF		19~24	0	7.89A	360mV	150W
DTEA1170xG		32~42	0	4.68A	630mV	150W
DTEA1170xH		44~56	0	3.12A	840mV	150W
DTEA1170xJ		32~42	0	4.06A	640mV	130W
DTEA1170xK		44~56	0	2.95A	840mV	130W
DTEA1170xM		12~16	0	13.33A	240mV	160W
DTEA1170xN		19~24	0	8.42A	360mV	160W
DTEA1170xP		19~24	0	8.94A	360mV	170W
DTEA1170xQ		19~24	0	9.47A	360mV	180W
DTEA1170xR		32~42	0	5.62A	630mV	180W
DTEA1170xS		44~56	0	3.75A	840mV	180W

SPECIFICATIONS

All specifications are based on 25°C, Nominal Input Voltage, and Maximum Output Current unless otherwise noted.
 We reserve the right to change specifications based on technological advances.

SPECIFICATION	TEST CONDITIONS	Min	Typ	Max	Unit
INPUT SPECIFICATIONS					
Input Voltage Range		100		240	VAC
Input Frequency		50		60	Hz
Input Current			≤2.5		A
Inrush Current	At Cold Start		≤100		A
OUTPUT SPECIFICATIONS					
Output Voltage		See Table			
Line Regulation ⁽³⁾			±1		%
Load Regulation			±5		%
Hold Up Time			≥8.3		mS
Turn On Time			≤3		S
Output Power		See Table			
Output Current		See Table			
Ripple & Noise (20MHz bandwidth)		See Table			
PROTECTION					
Short Circuit Protection		Auto Recovery			
Over Current Protection		Auto Recovery			
Over Voltage Protection		Latch Off			
Over Temperature Protection		Latch Off			
ENVIRONMENTAL SPECIFICATIONS					
Operating Temperature		0		40	°C
Storage Temperature		-20		85	°C
Storage Humidity		5		95	%
MTBF			>30,000		hours
GENERAL SPECIFICATIONS					
Efficiency		Meets CEC Level V, VI			
PHYSICAL SPECIFICATIONS					
Weight		1.55 lbs (705 g)			
Dimensions (L x W x H)		7.04in x 2.56in x 1.57in (179mm x 65mm x 40mm)			
AC Inlet		C14, C8, C6, C18			
SAFETY					
Safety		UL/CUL UL60950 ⁽⁵⁾ CB FCC CCC			

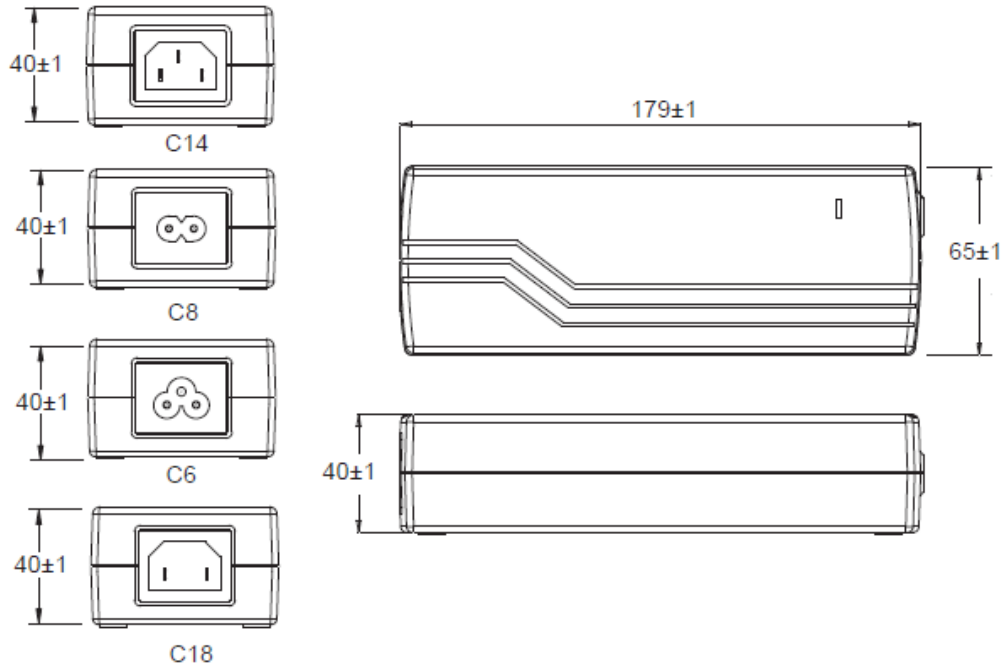
NOTES

- (1) Ripple & Noise is measured by using 20MHz bandwidth limited oscilloscope and terminated each output with a 0.1uF ceramic capacitor & parallel with 47uF aluminum capacitor at full load and nominal line.
- (2) Max output power (W) ≥Vo x Io
- (3) Line Regulation is defined by changing ±10% of input voltage from nominal line at rated load.
- (4) x in model number indicates case type: 1=C14, 2=C8, 3=C6, 6=C18
- (5) This product is Listed to applicable standards and requirements by UL.

**Due to advances in technology, specifications subject to change without notice.*

MECHANICAL DRAWINGS

Mechanical Specifications



- Case Size: 179Lx65Wx40H (mm)
- AC Inlet: C14, C8, C6, C18
- Weight: 705g

COMPANY INFORMATION

Wall Industries, Inc. has created custom and modified units for over 50 years. Our in-house research and development engineers will provide a solution that exceeds your performance requirements on-time and on budget. Our ISO9001: 2015 certification is just one example of our commitment to producing a high quality, well-documented product for our customers.

Our past projects demonstrate our commitment to you, our customer. Wall Industries, Inc. has a reputation for working closely with its customers to ensure each solution meets or exceeds form, fit and function requirements. We will continue to provide ongoing support for your project above and beyond the design and production phases. Give us a call today to discuss your future projects.

Contact **Wall Industries** for further information:

Phone: ☎(603)778-2300
Toll Free: ☎(888)597-9255
Fax: ☎(603)778-9797
E-mail: sales@wallindustries.com
Web: www.wallindustries.com
Address: 37 Industrial Drive
Exeter, NH 03833

©2019 Wall Industries, Inc. Specifications subject to change without notice. Wall Industries is not responsible for typographical errors. The information contained herein is for informational purposes only. This information is provided by Wall Industries and we make no representations or warranties of any kind, express or implied, about the completeness, accuracy, reliability, suitability or availability with respect to the information contained in this document for any purpose. All product and manufacturer names are trademarks or registered trademarks of their respective companies.