

IEC-320-C14



Size: 3.86 x 1.79 x 1.23 inches

IEC-320-C8



Size: 3.86 x 1.79 x 1.23 inches

IEC-320-C6



Size: 3.86 x 1.79 x 1.23 inches

IEC-320-C18



Size: 3.86 x 1.79 x 1.23 inches

**FEATURES**

- Single Outputs
- RoHS & DoE Compliance
- UL/cUL, TUV, CB, CE, FCC, and CCC Safety Approvals
- Short Circuit & Over Voltage Protection
- IEC-320-C14, IEC-320-C8, IEC-320-C6, & IEC-320-C18 AC Inlets Available
- Meets CEC Level VI (DoE), CoC Tier 2
- 100~240VAC Input Voltage Range
- MTBF > 30,000 Hours
- High Efficiency >89%

**DESCRIPTION**

The DTEA1024 series of AC/DC desktop power supplies provides up to 36 Watts of continuous output power in a 3.94" x 1.77" x 1.22" package. All models have a single output and a wide input voltage range of 100~240VAC. This series is RoHS and DoE compliant and meets CEC Level VI requirements. This series also has UL/cUL, TUV, CB, CE, FCC, and CCC safety approvals. All models are protected against short circuit and over voltage conditions. Four AC inlet connector types are available for this series: IEC-320-C14, IEC-320-C8, IEC-320-C6, and IEC-320-C18. Please call factory for ordering details.

**MODEL SELECTION TABLE**

Model Number <sup>(1)</sup>	Input Voltage Range	Output Voltage <sup>(2)</sup>	Output Current		Load Regulation	Line Regulation <sup>(3)</sup>	Ripple & Noise <sup>(4)</sup>	Output Power
			Min	Max				
DTEA1024Ax	100 ~ 240 VAC	5 ~ 8 VDC	0A	2.0A	±5%	±1%	100mVp-p	16W
DTEA1024Bx		5 ~ 8 VDC	0A	3.0A	±5%	±1%	100mVp-p	20W
DTEA1024Cx		5 ~ 8 VDC	0A	4.0A	±5%	±1%	100mVp-p	24W
DTEA1024Dx		9 ~ 11 VDC	0A	1.5A	±5%	±1%	250mVp-p	18W
DTEA1024Ex		9 ~ 11 VDC	0A	2.0A	±5%	±1%	250mVp-p	24W
DTEA1024Fx		9 ~ 11 VDC	0A	3.0A	±5%	±1%	250mVp-p	27W
DTEA1024Gx		12 ~ 17 VDC	0A	1.66A	±5%	±1%	250mVp-p	20W
DTEA1024Hx		12 ~ 17 VDC	0A	2.5A	±5%	±1%	250mVp-p	30W
DTEA1024Jx		18 ~ 24 VDC	0A	1.33A	±5%	±1%	350mVp-p	24W
DTEA1024Kx		18 ~ 24 VDC	0A	1.66A	±5%	±1%	350mVp-p	30W
DTEA1024Mx		36 ~ 48 VDC	0A	0.55A	±5%	±1%	480mVp-p	20W
DTEA1024Nx		36 ~ 48 VDC	0A	0.83A	±5%	±1%	480mVp-p	30W
DTEA1024Px		12V	0A	3.0A	±5%	±1%	250mVp-p	36W
DTEA1024Qx		12V	0A	2.0A	±5%	±1%	250mVp-p	24W
DTEA1024Rx		24V	0A	1.5A	±5%	±1%	350mVp-p	36W

**NOTES**

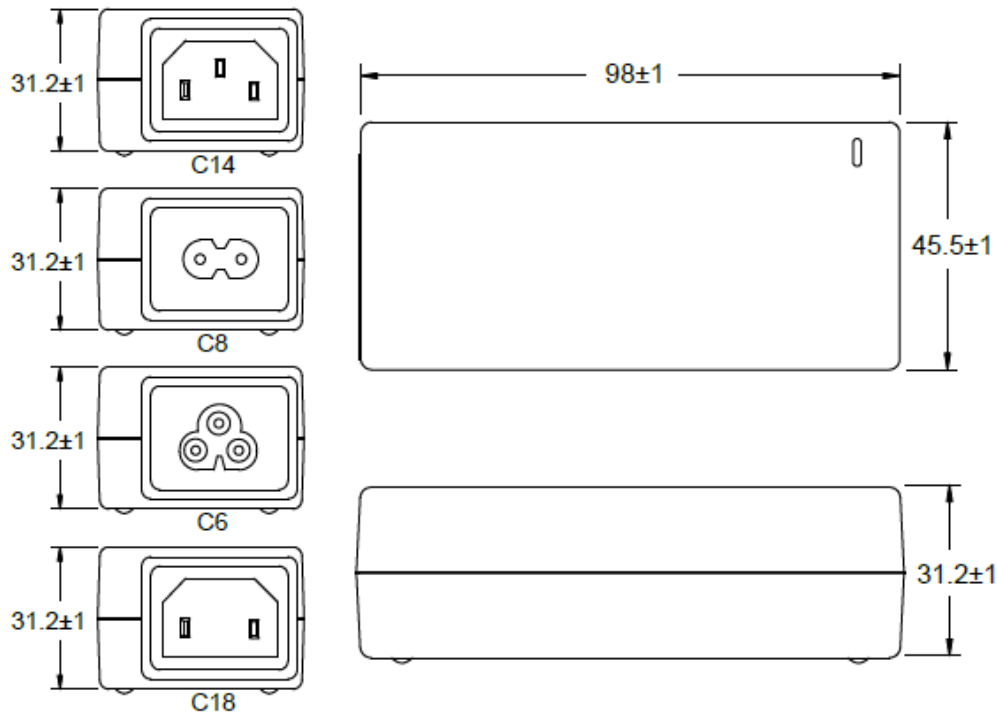
- The "x" in the model number represents the type of AC inlet connector: "1" for IEC-320-C14 type, "2" for IEC-320-C8 type, "3" for IEC-320-C6, or "6" for IEC-320-C18 type.
- The output voltage is specified as a range (Ex: 36~48 VDC); the customer must specify what they want the voltage set at.
- Line Regulation is defined by changing ±10% of input voltage from nominal line at rated load.
- Ripple and Noise is measured using 20MHz bandwidth limited oscilloscope and terminated each output with a 0.1uF ceramic capacitor & parallel with 47uf aluminum capacitor at full load and nominal line.
- LED according to customer needs.
- Optional output connectors are available. Please call factory for ordering details.

**SPECIFICATIONS: DTEA1024 SERIES**

All specifications are based on 25°C, Nominal Input Voltage, and Maximum Output Current unless otherwise noted.  
We reserve the right to change specifications based on technological advances.

SPECIFICATION	TEST CONDITIONS	Min	Typ	Max	Unit
<b>INPUT SPECIFICATIONS</b>					
Input Voltage		100		240	VAC
Input Frequency		50		60	Hz
Input Current			≤1		A
Inrush Current	Cold start		≤60		A
<b>OUTPUT SPECIFICATIONS</b>					
Output Voltage		See Table			
Line Regulation	Defined by changing ±10% of input voltage from nominal line at rated load	-1		+1	%
Load Regulation		-5		+5	%
Output Power		See Table			
Output Current		See Table			
Minimum Load		0			A
Ripple & Noise (20MHz BW)	Measured at nominal line and full load with 0.1µF ceramic and 47µF aluminum capacitors in parallel	See Table			
Hold-up Time			≥8.3		mS
Turn-on Time			≤3		S
<b>PROTECTION</b>					
Over Voltage Protection		Automatic recovery			
Short Circuit Protection		Automatic recovery			
<b>GENERAL SPECIFICATIONS</b>					
Efficiency		Meets CEC Level VI (DoE), CoC Tier 2			
<b>ENVIRONMENTAL SPECIFICATIONS</b>					
Operating Temperature		0		+40	°C
Storage Temperature		-20		+85	°C
Operating Humidity		10		90	%
Storage Humidity		5		95	%
Cooling		Free air convection			
MTBF		30,000			hours
<b>PHYSICAL SPECIFICATIONS</b>					
Weight		7.05oz (200g)			
Dimensions (L x W x H)		3.86 x 1.79 x 1.23 inches (98 x 45.5 x 31.2 mm)			
AC Inlet Connector	Suffix "1"	IEC-320-C14			
	Suffix "2"	IEC-320-C8			
	Suffix "3"	IEC-320-C6			
	Suffix "6"	IEC-320-C18			
Output Connectors	Call factory for ordering details	Several options available			
<b>SAFETY &amp; COMPLIANCE</b>					
Safety Approvals		UL/cUL, TUV, CB, CE, FCC, CCC			
Compliance		RoHS, WEEE, CEC Level V, VI			

## MECHANICAL DRAWING



- Case Size: 98L x 45.5W x 31.2H (mm)
- AC Inlet: C14, C8, C6, C18
- Weight: 200g

## COMPANY INFORMATION

Wall Industries, Inc. has created custom and modified units for over 50 years. Our in-house research and development engineers will provide a solution that exceeds your performance requirements on-time and on budget. Our ISO9001-2008 certification is just one example of our commitment to producing a high quality, well-documented product for our customers.

Our past projects demonstrate our commitment to you, our customer. Wall Industries, Inc. has a reputation for working closely with its customers to ensure each solution meets or exceeds form, fit and function requirements. We will continue to provide ongoing support for your project above and beyond the design and production phases. Give us a call today to discuss your future projects.

Contact **Wall Industries** for further information:

Phone: ☎(603)778-2300  
Toll Free: ☎(888)597-9255  
Fax: ☎(603)778-9797  
E-mail: [sales@wallindustries.com](mailto:sales@wallindustries.com)  
Web: [www.wallindustries.com](http://www.wallindustries.com)  
Address: 37 Industrial Drive  
Exeter, NH 03833